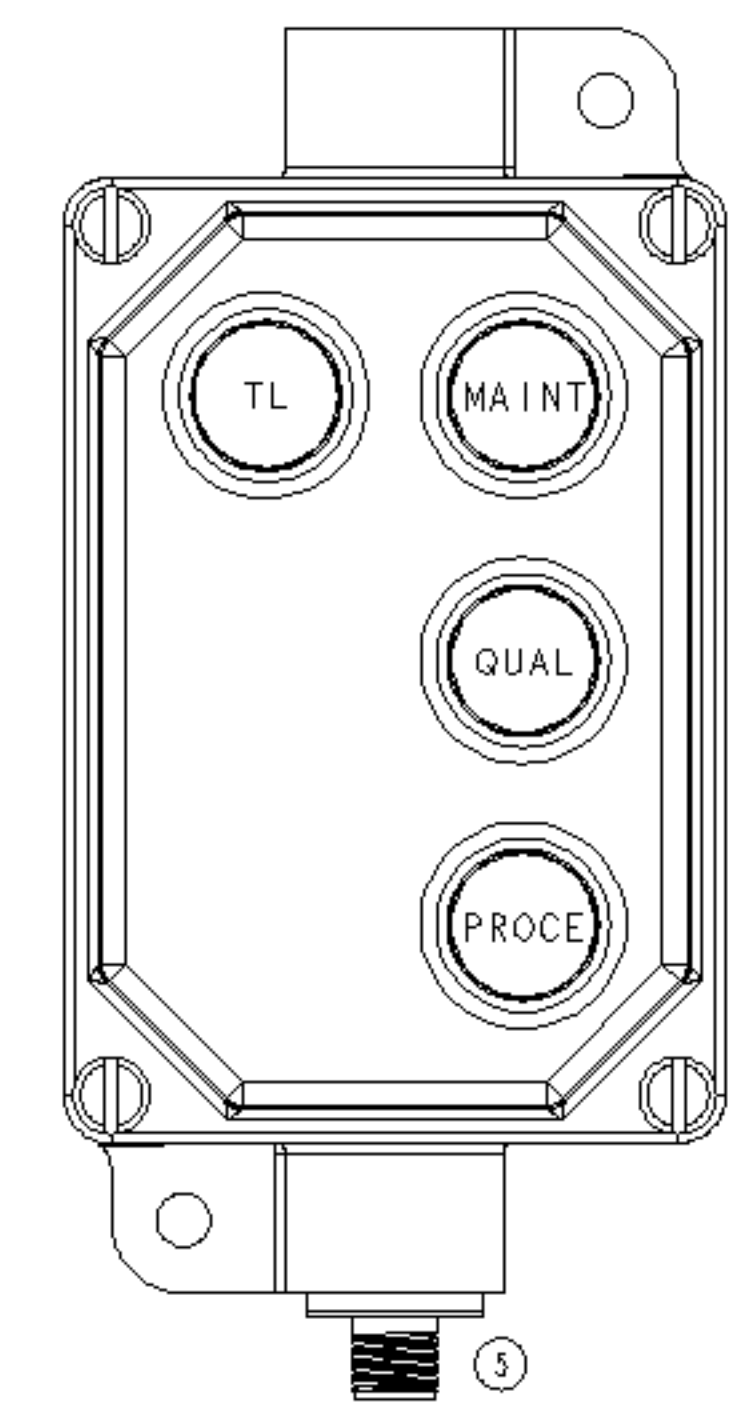


④ BUTTON 4 (ORANGE)

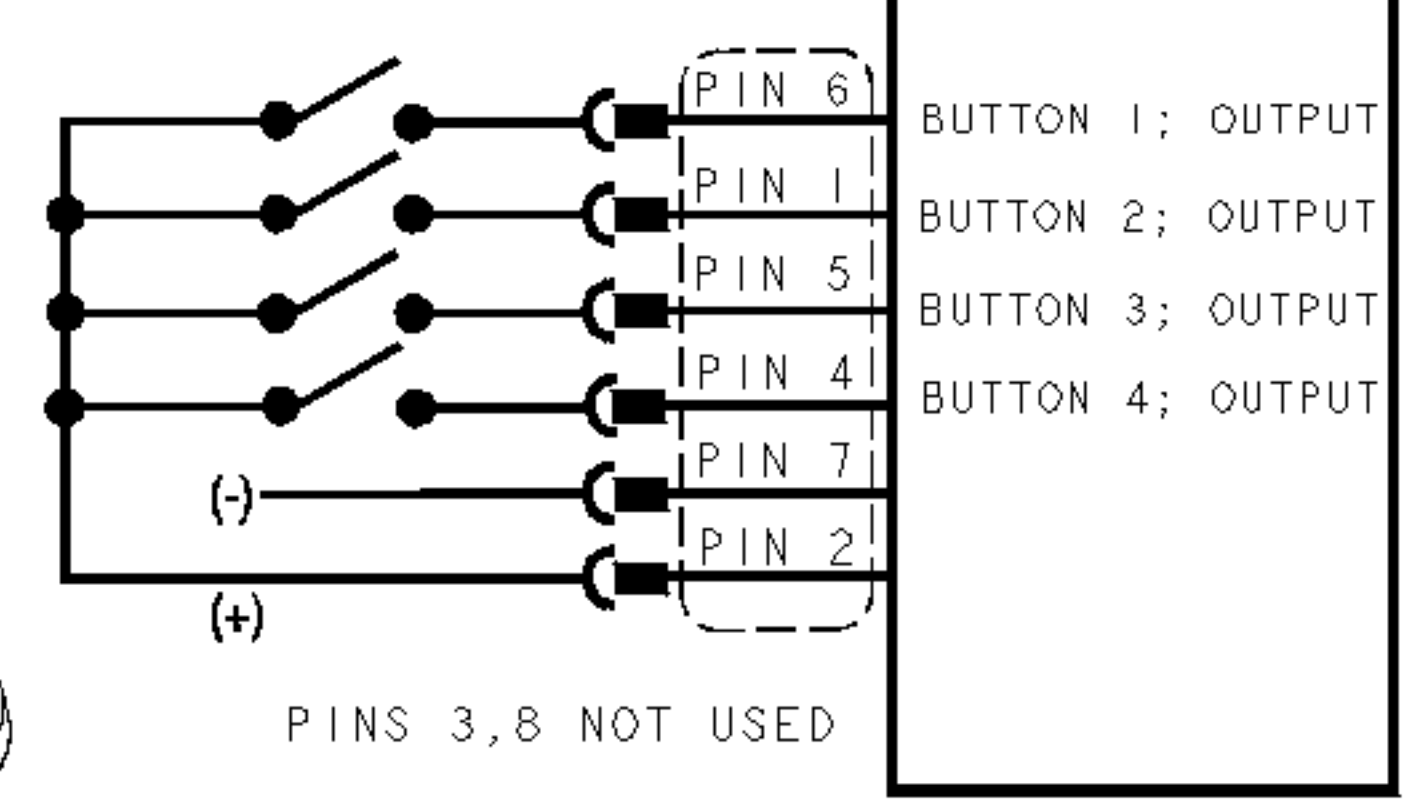


BUTTON 3 (BLUE) ③

BUTTON 2 (MAGENTA) ②

BUTTON 1 (CYAN) ①

SCALE 3:4

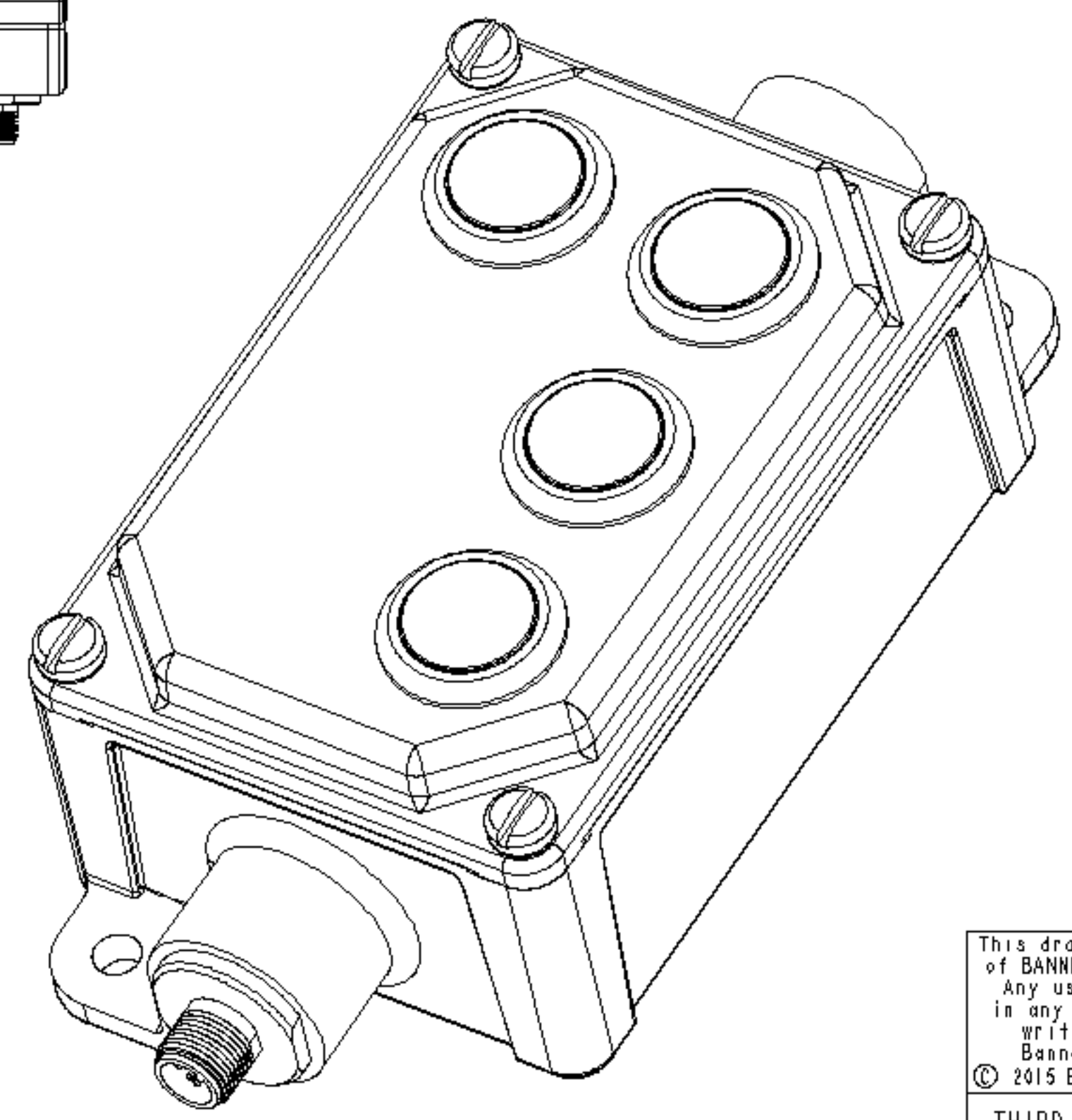


HOOK UP

LATCH PERSIST FUNCTION

BILL OF MATERIALS	BANNER P/N	FIND #	QUANTITY
S22ALTSCHT-810911	810911	1	1
S22ALTSMMHT-810912	810912	2	1
S22ALTSBBHT-810913	810913	3	1
S22ALTSOCHT-810920	810920	4	1
EURO M12 8-PIN INTEGRAL CONNECTOR	808489	5	1

NOTES:
 1. ALL DIMENSIONS ARE MILLIMETERS [INCHES] UNLESS OTHERWISE NOTED.
 2. REFER TO "www.bannerengineering.com" FOR ADDITIONAL DATA AND SPECIFICATIONS.

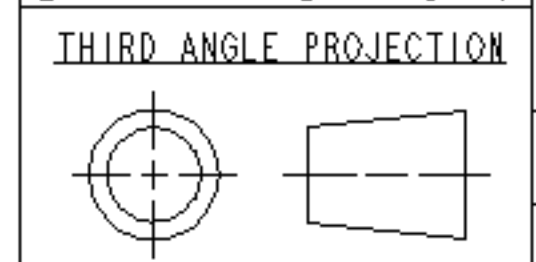


This drawing is the property of BANNER ENGINEERING CORP. Any use or reproduction, in any form, without prior written permission of Banner is prohibited. © 2015 Banner Engineering Corp.



BANNER ENGINEERING CORP.
 www.bannerengineering.com

TITLE ANDON-TL70128BGYS22L-4Q		
SIZE C	DRAWING NO. 218009	REV. B
SCALE 1:2		SHEET 1 OF 1



CREO