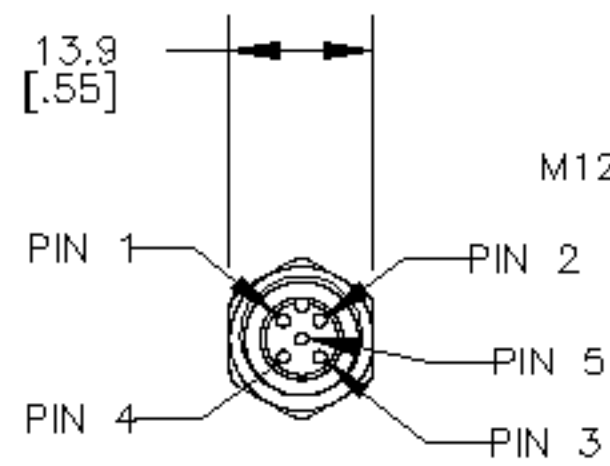
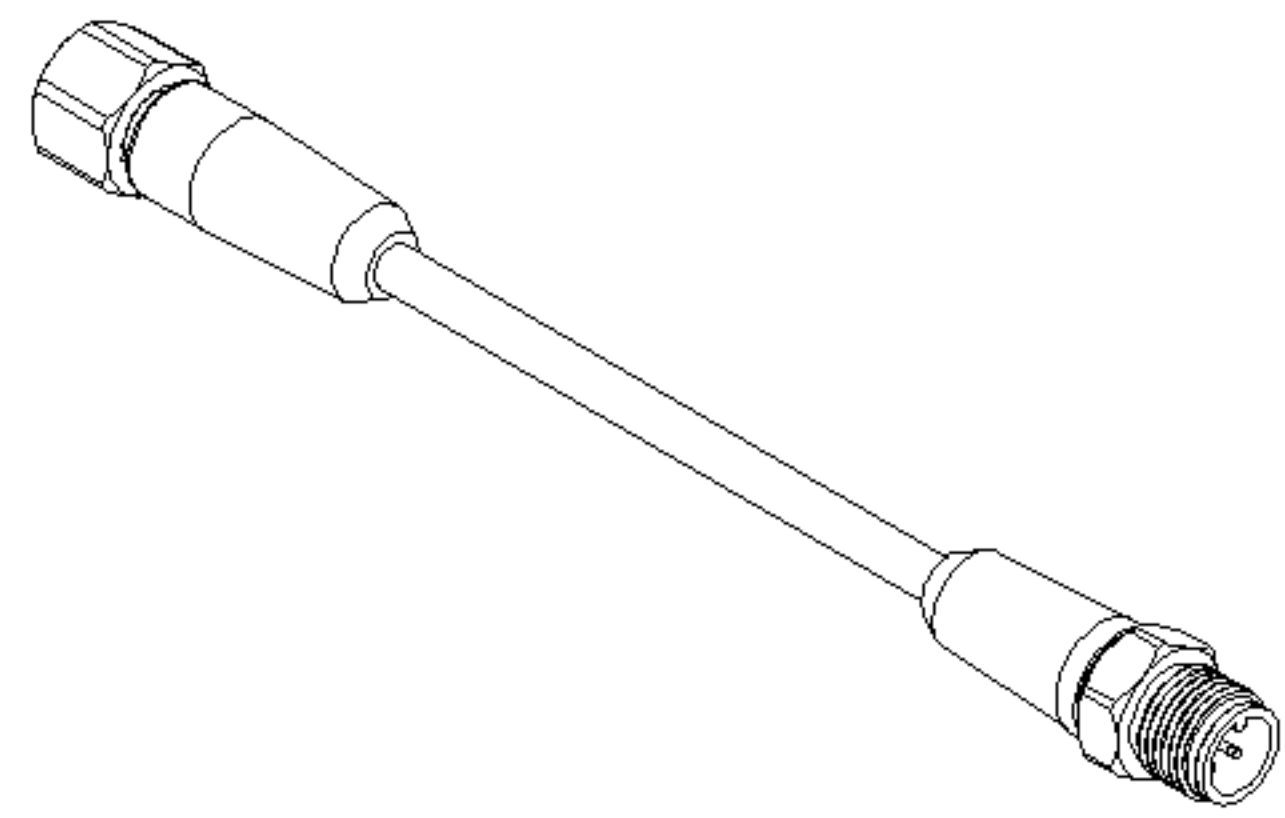


8 | 7 | 6 | 5 | 4 | 3 | 2 | 1

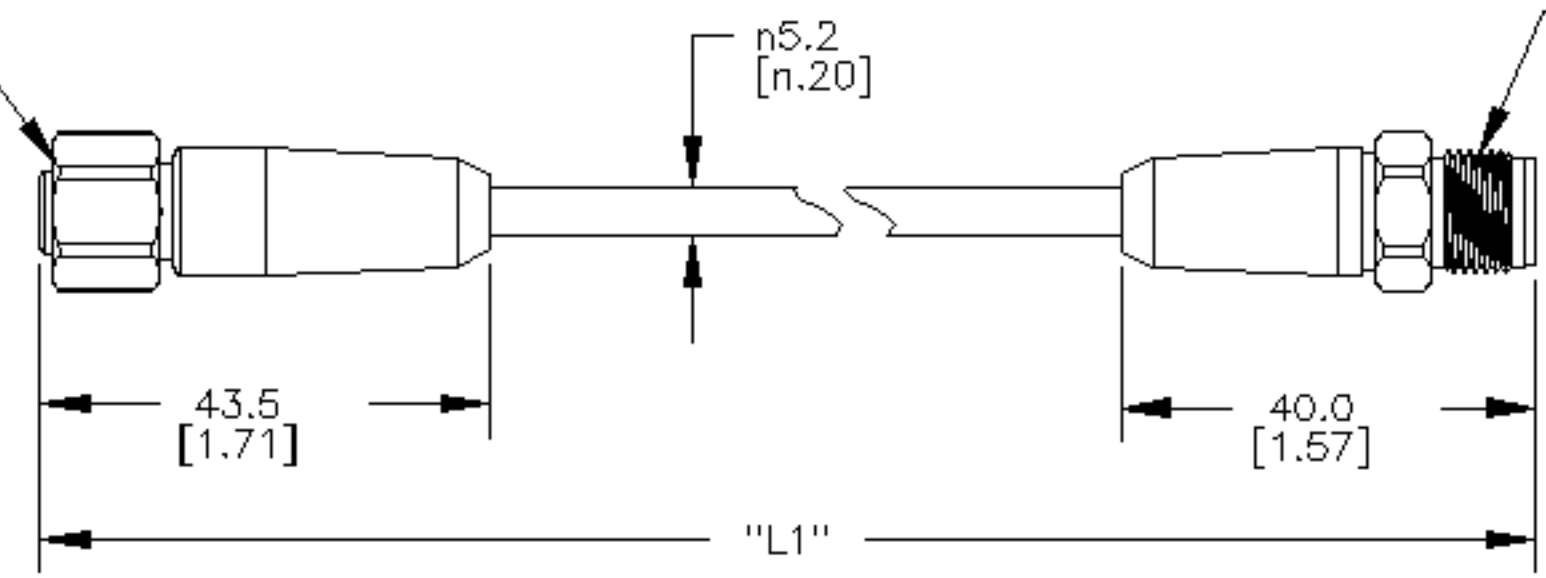
TABLE 1		
P/N	MODEL NO.	"L1"
808732	MQDEC-WDSS-505SS	1524
808731	MQDEC-WDSS-510SS	3048
808733	MQDEC-WDSS-515SS	4572



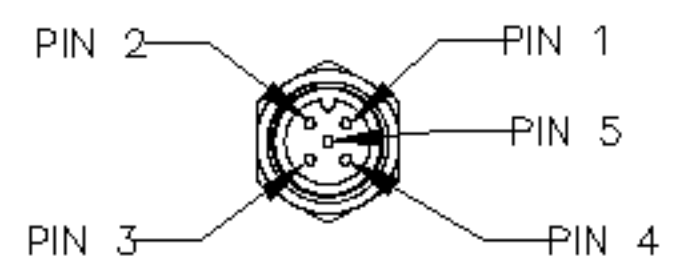
FEMALE POLES

- 1. BROWN
- 2. WHITE
- 3. BLUE
- 4. BLACK
- 5. GRAY

M12 X 1.0 6H



M12 X 1.0 6g



MALE POLES

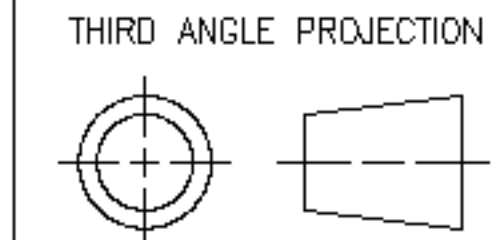
- 1. BROWN
- 2. WHITE
- 3. BLUE
- 4. BLACK
- 5. GRAY

NOTES:  
 1. ALL DIMENSIONS ARE MILLIMETERS [INCHES] UNLESS OTHERWISE NOTED.  
 2. REFER TO "www.bannerengineering.com" FOR ADDITIONAL DATA AND SPECIFICATIONS.

This drawing is the property of BANNER ENGINEERING CORP. Any use or reproduction, in any form, without prior written permission of Banner is prohibited.  
 © 2015 Banner Engineering Corp.



BANNER ENGINEERING CORP.  
 www.bannerengineering.com

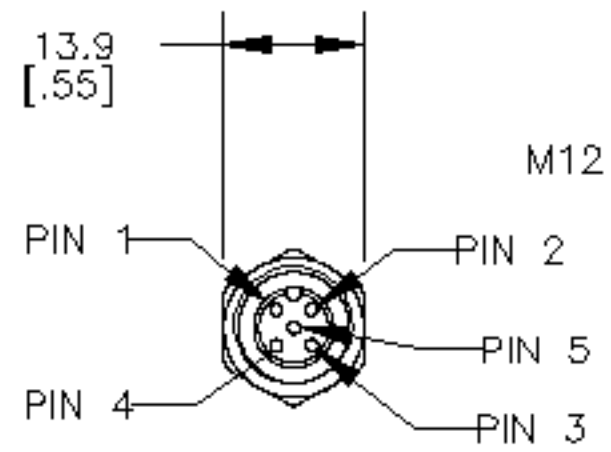
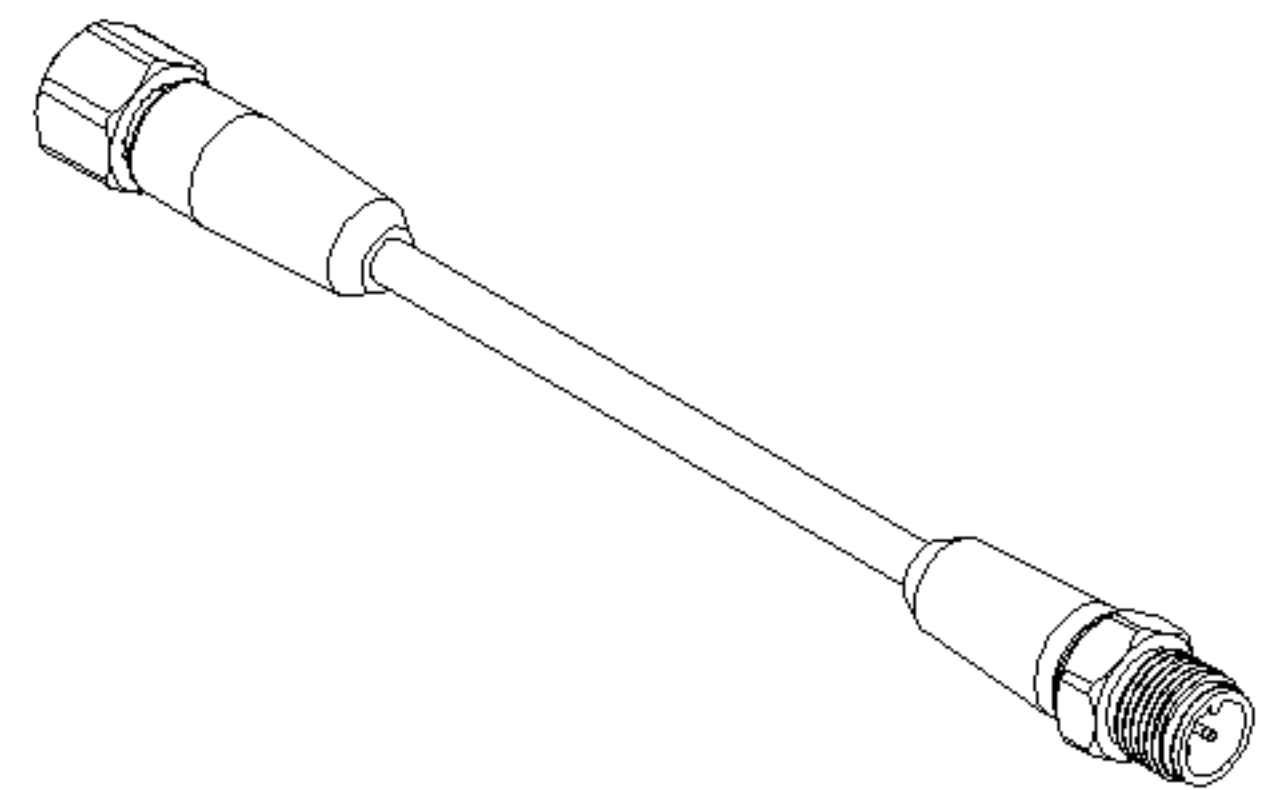


TITLE		
MQDEC-WDSS-5XXSS		
SIZE B	DRAWING NO. 214667	REV. A
SCALE 1:1	SHEET 1 OF 1	

8 | 7 | 6 | 5 | 4 | 3 | 2 | 1 | CREO

8 | 7 | 6 | 5 | 4 | 3 | 2 | 1

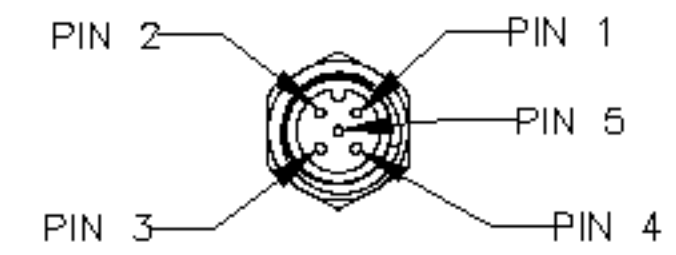
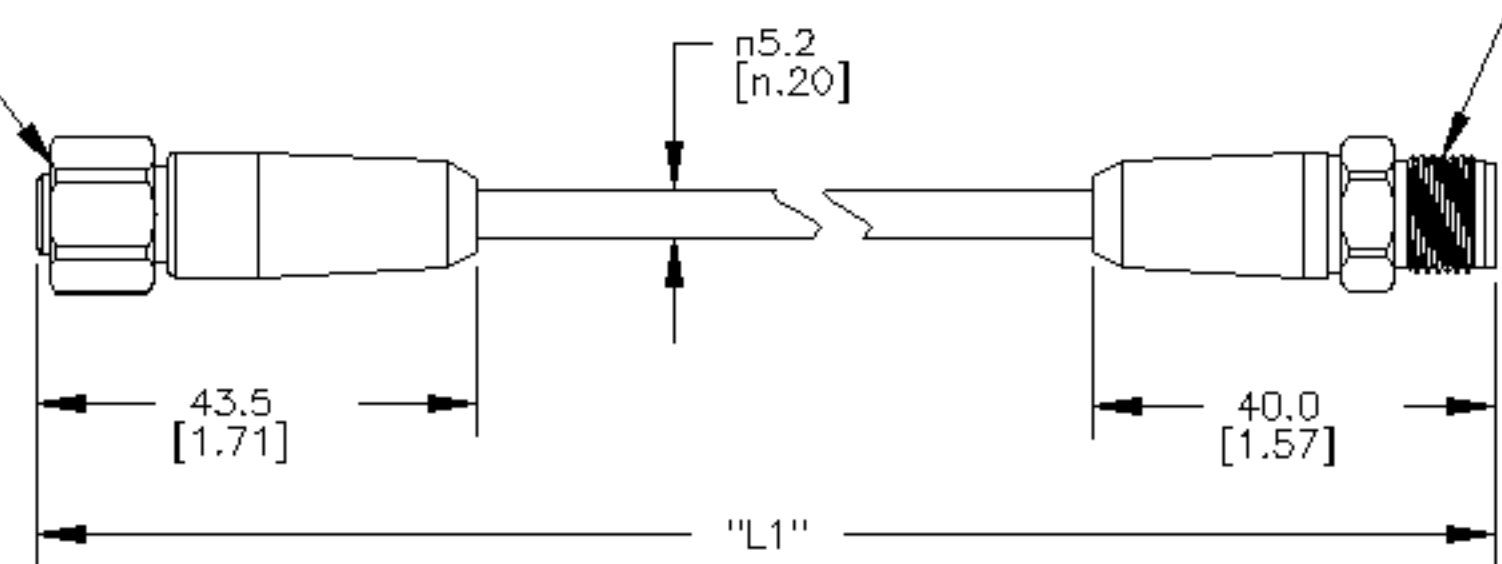
TABLE 1		
P/N	MODEL NO.	"L1"
808732	MQDEC-WDSS-505SS	1524
808731	MQDEC-WDSS-510SS	3048
808733	MQDEC-WDSS-515SS	4572



FEMALE POLES

- 1. BROWN
- 2. WHITE
- 3. BLUE
- 4. BLACK
- 5. GRAY

M12 X 1.0 6H



MALE POLES

- 1. BROWN
- 2. WHITE
- 3. BLUE
- 4. BLACK
- 5. GRAY

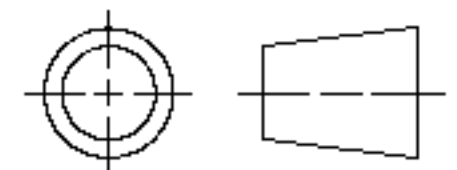
M12 X 1.0 6g

This drawing is the property of BANNER ENGINEERING CORP. Any use or reproduction, in any form, without prior written permission of Banner is prohibited.  
 © 2015 Banner Engineering Corp.



BANNER ENGINEERING CORP.  
 www.bannerengineering.com

THIRD ANGLE PROJECTION



TITLE  
 MQDEC-WDSS-5XXSS

SIZE B	DRAWING NO. 214667	REV. A
SCALE 1:1	SHEET 1 OF 1	

NOTES:  
 1. ALL DIMENSIONS ARE MILLIMETERS [INCHES] UNLESS OTHERWISE NOTED.  
 2. REFER TO "www.bannerengineering.com" FOR ADDITIONAL DATA AND SPECIFICATIONS.

8 | 7 | 6 | 5 | 4 | 3 | 2 | 1 CREO

