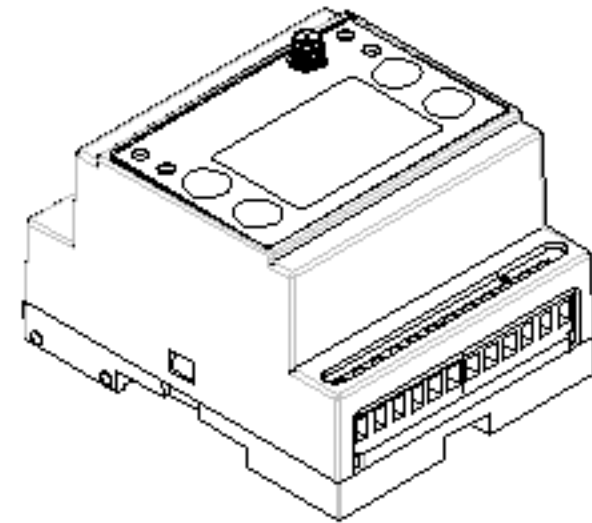
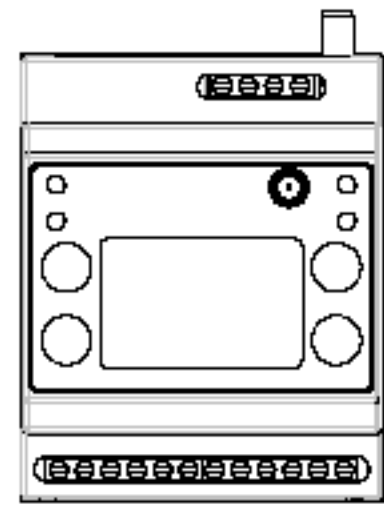
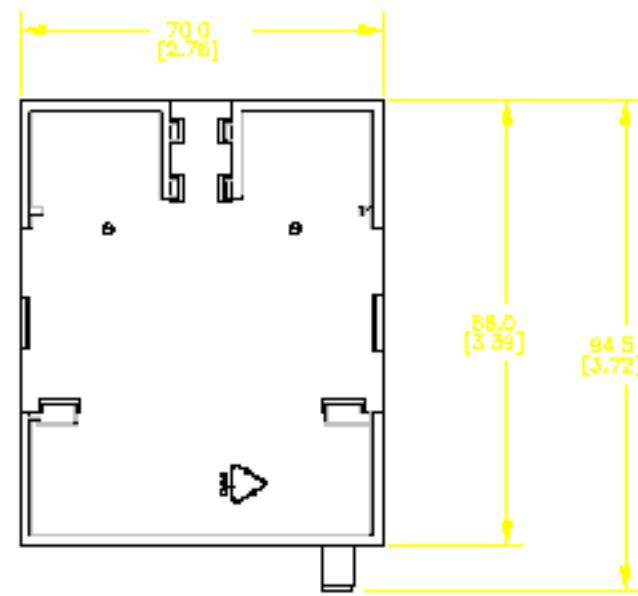
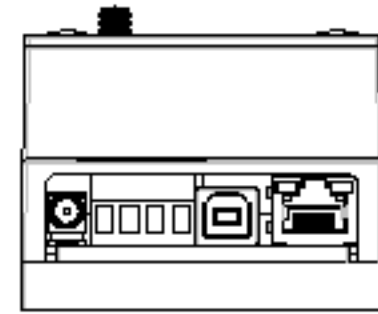
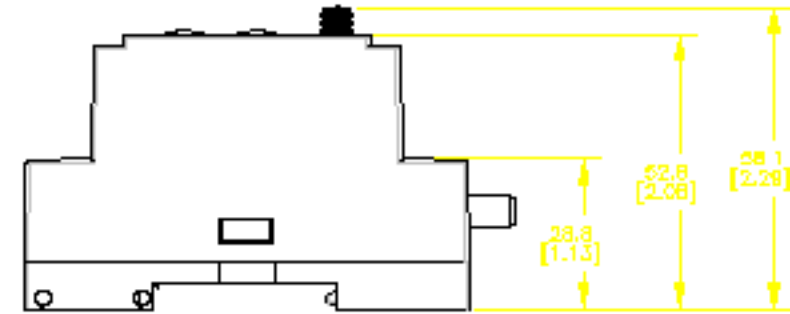
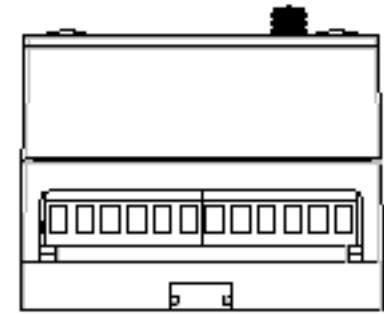
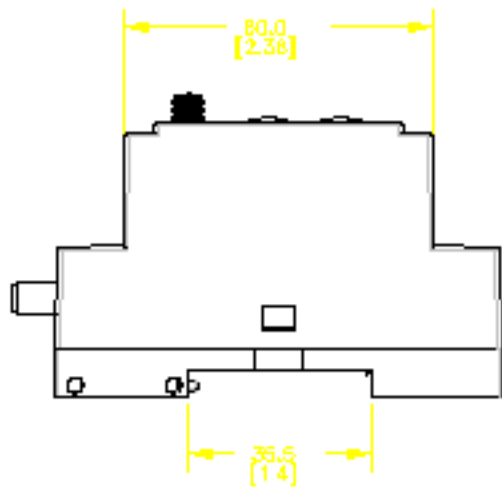


DXM700



ISOMETRIC VIEW



No drawing in the company of Banner Engineering Corp. Any use or reproduction, in any form, without prior written permission of Banner is prohibited.
© 2015 Banner Engineering Corp.

BANNER ENGINEERING CORP.
www.bannerengineering.com

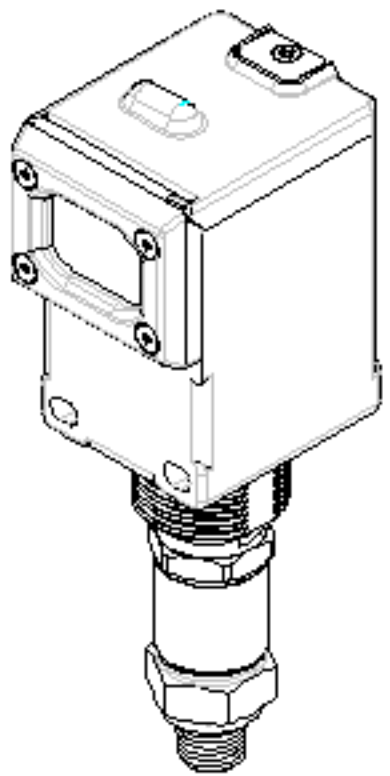
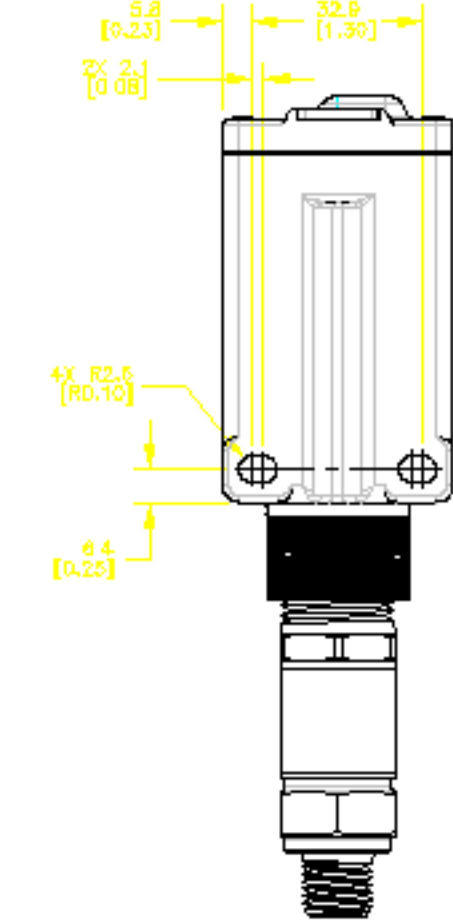
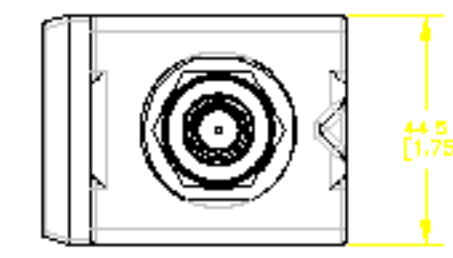
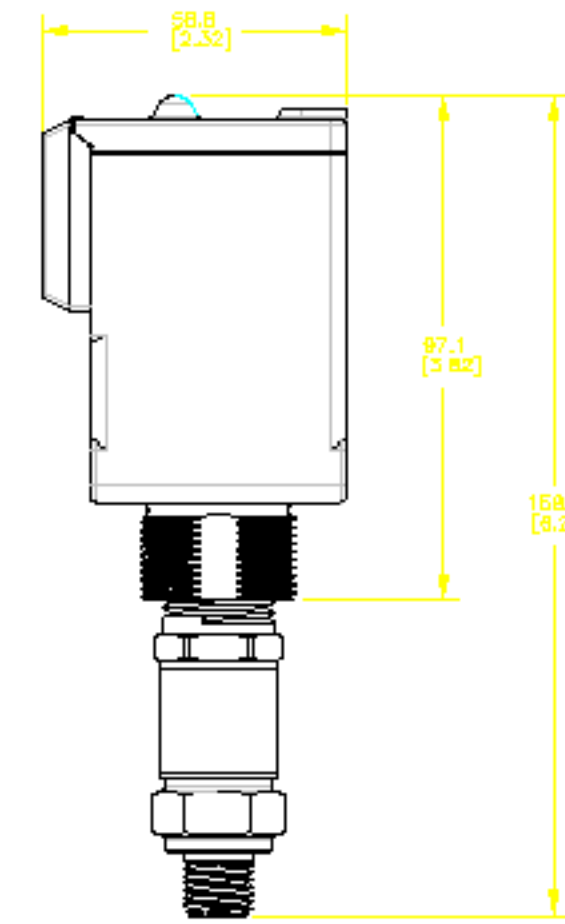
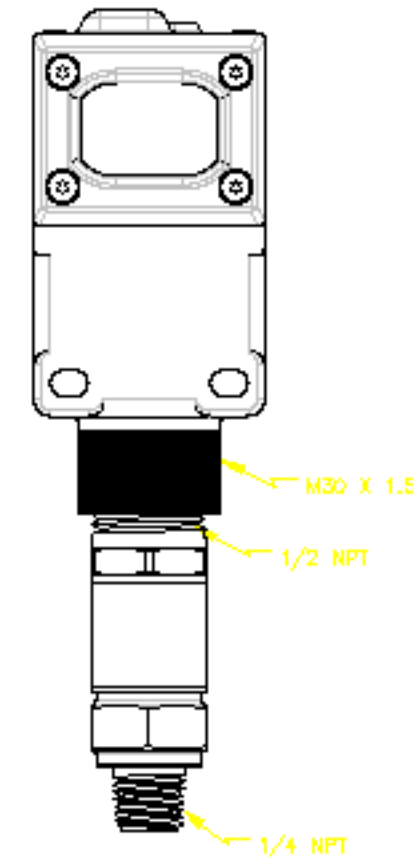
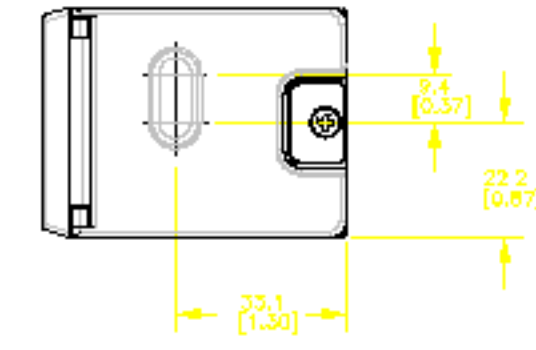
TITLE: STARTERKIT700 PRES

SIZE: C DRAWING NO: 218792 REV: A

SCALE: 1:1 SHEET 1 OF 2

NOTES
1. ALL DIMENSIONS ARE MILLIMETERS [INCHES] UNLESS OTHERWISE NOTED.
2. REFER TO "www.bannerengineering.com" FOR ADDITIONAL DATA AND SPECIFICATIONS.

Q45PS



ISOMETRIC VIEW

No drawing in the company of Banner Engineering Corp. Any use or reproduction, in any form, without prior written permission of Banner is prohibited.
© 2015 Banner Engineering Corp.

BANNER ENGINEERING CORP.
www.bannerengineering.com

TITLE: STARTERKIT700 PRES

SIZE: C DRAWING NO: 218792 REV: A

SCALE: 1:1 SHEET 2 OF 2

NOTES
1. ALL DIMENSIONS ARE MILLIMETERS [INCHES] UNLESS OTHERWISE NOTED.
2. REFER TO "www.bannerengineering.com" FOR ADDITIONAL DATA AND SPECIFICATIONS.

