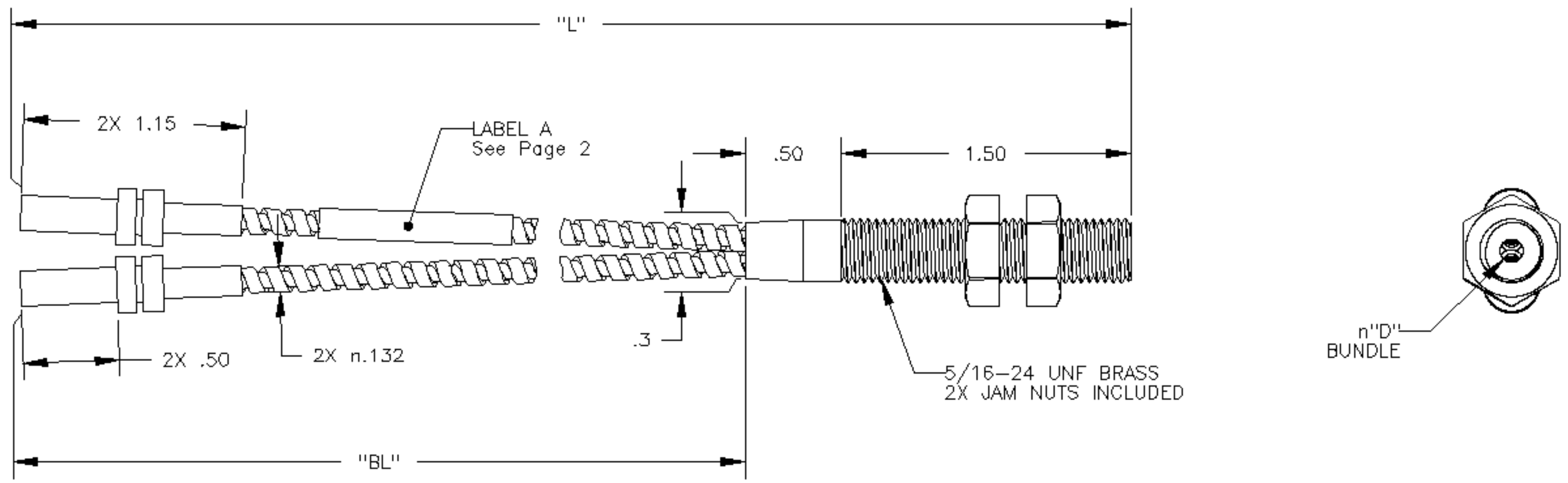


REVISION HISTORY

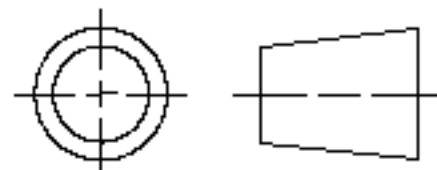
REV	DESCRIPTION	DATE	APPROVERS
A	INITIAL APPROVAL;	06-26-25	J.KUEHL M.BREN
B	MODEL NO. WAS 'BT2.5S' FOR BANNER PN 814682	7-23-25	B.RUST M.BREN
C	ECO 173548; OBSOLETE DRAWING 814682 SINCE IT'S ALSO DOCUMENTED ON THIS DRAWING (MODEL NO. BT2.5S-814682 IN TABLE)	8-20-25	B.RUST B.HELLAND
D	ECO 173554; UPDATED DETAIL VIEWS FOR BOX LABELS 1 & 2 (ADDED 'LABEL STOCK...' NOTE FOR BOX LABEL 1 AND DIMENSIONS TO EACH)	8-25-25	B.RUST M.BREN
E	ECO 173645; MODEL NO. FOR LABEL 'A' EXAMPLE ON SHEET 2 WAS 'BT2.5S', ADDED EXAMPLE PHOTO AND NOTES, AND 'BTXXS' IN DRAWING TITLE WAS 'PBT26UMSSMFF'	12-1-25	B.RUST M.BREN



ALL SHEETS ARE THE SAME REVISION STATUS

DIMENSIONS ARE IN INCHES  
UNLESS OTHERWISE SPECIFIED  
TOLERANCE ON ANGLE: '3~  
.X '.020  
.XX '.010  
.XXX '.005  
INTERPRET DIMENSIONS & TOLERANCES  
PER ASME Y14.5M - 2009

THIRD ANGLE PROJECTION



This drawing is the property of BANNER ENGINEERING CORP. and is proprietary in general and in detail. Its contents shall not be revealed to outside parties without written consent of BANNER.



BANNER ENGINEERING CORP.  
9714 TENTH AVENUE NORTH  
MINNEAPOLIS, MN 55441

TITLE  
DWG BTXXS CUSTOMER SPECIFIC

Model No	"L"	"BL"	"D"	BannerPN	CustomerPN	CREV
BT2.5S-818365	8	6	0.12	818365	795-B44287-002	A
BT2.5S-814682	6	4	0.12	814682	795-B44287-001	A

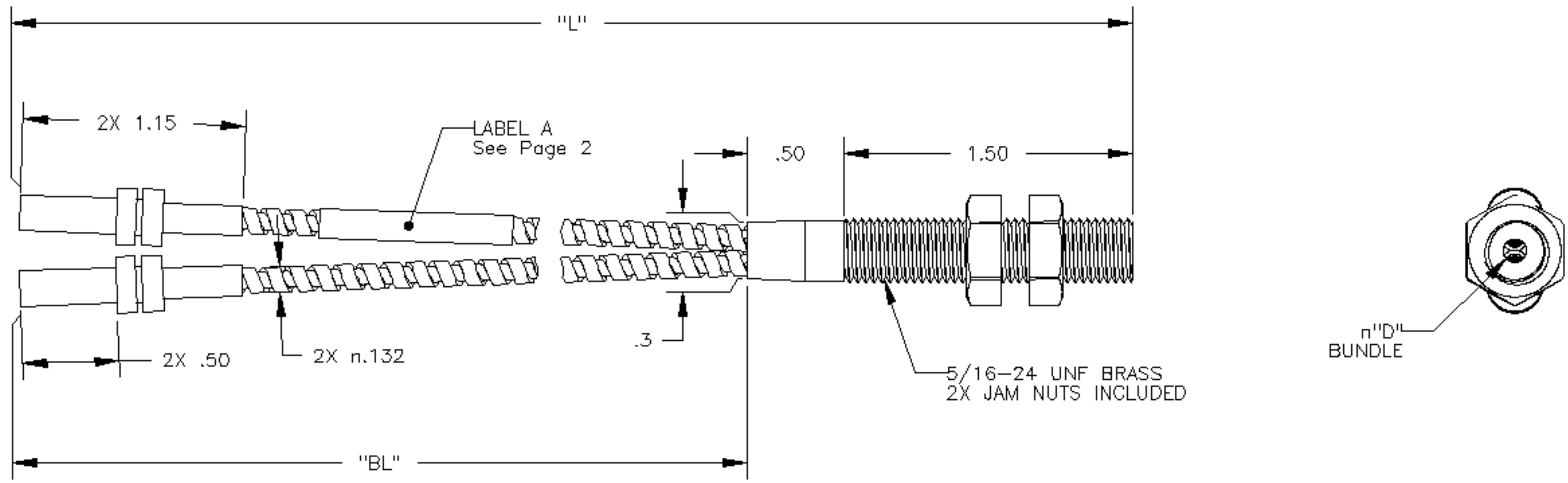
DRAWN BY J. KUEHL	DATE 06-25-25
APPROVED BY M. BREN	DATE 06-26-25
APPROVED BY	DATE

SIZE B	DRAWING NO. 246682	REV. E
SCALE 3:2	SHEET 1 OF 2	

CREO

8 7 6 5 4 3 2 1

REVISION HISTORY			
REV	DESCRIPTION	DATE	APPROVERS
A	INITIAL APPROVAL;	06-26-25	J.KUEHL M.BREN
B	MODEL NO. WAS 'BT2 5S' FOR BANNER PN 814682	7-23-25	B.RUST M.BREN
C	ECO 173548; OBSOLETE DRAWING B14682 SINCE IT'S ALSO DOCUMENTED ON THIS DRAWING (MODEL NO. BT2.5S-814682 IN TABLE)	8-20-25	B.RUST B.HELLAND
D	ECO 173554; UPDATED DETAIL VIEWS FOR BOX LABELS 1 & 2 (ADDED 'LABEL STOCK...' NOTE FOR BOX LABEL 1 AND DIMENSIONS TO EACH)	8-25-25	B.RUST M.BREN
E	ECO 173645; MODEL NO. FOR LABEL 'A' EX-AMPLE ON SHEET 2 WAS 'BT2.5S', ADDED EX-AMPLE PHOTO AND NOTES, AND 'BTXXS' IN DRAWING TITLE WAS 'PBT26UMSSMFF'	12-1-25	B RUST M BREN

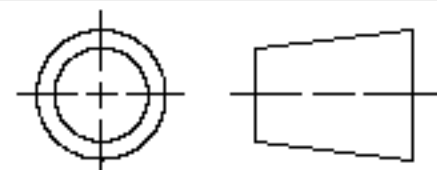


ALL SHEETS ARE THE SAME REVISION STATUS

Model No	"L"	"BL"	"D"	BannerPN	CustomerPN	CREV
BT2.5S-818365	8	6	0.12	818365	795-B44287-002	A
BT2.5S-814682	8	4	0.12	814682	795-B44287-001	A

DIMENSIONS ARE IN INCHES  
UNLESS OTHERWISE SPECIFIED  
TOLERANCE ON ANGLE: 3~  
.X .020  
.XX .010  
.XXX .005  
INTERPRET DIMENSIONS & TOLERANCES  
PER ASME Y14.5M - 2009

THIRD ANGLE PROJECTION



This drawing is the property  
of BANNER ENGINEERING CORP.  
and is proprietary in general  
and in detail. Its contents  
shall not be revealed to  
outside parties without  
written consent of BANNER.



BANNER ENGINEERING CORP.  
9714 TENTH AVENUE NORTH  
MINNEAPOLIS, MN 55441

TITLE

DWG BTXXS CUSTOMER SPECIFIC

DRAWN BY J. KUEHL	DATE 06-25-25
APPROVED BY M. BREN	DATE 06-26-25
APPROVED BY	DATE

SIZE B	DRAWING NO. 246682	REV. E
SCALE 3:2	SHEET 1 OF 2	

8 7 6 5 4 3 2 1 CREO

