

# TL50BLZ Beacon Universal AC Voltage Tower Light



## Features

### Multi-Color General-Purpose or Audible Indicators



The TL50 Beacon Tower Light is a cross between the TL50 tower light and the K50 beacon. This compact design is extremely intense and can even be used in areas with high levels of ambient light.

- Rugged, cost-effective, and easy-to-install multi-segment indicators
- Illuminated segments provide easy-to-see operator guidance and indication of equipment status
- Displays up to 5 colors
- Steady on, flashing, and rotating models available
- Available in black or light gray housing
- Audible models available with standard, sealed, or omni-directional audible element
- Continuous, pulsed, and staccato tones available
- 100 V AC to 240 V AC operation
- No assembly required

## Non-Audible Models

Model <sup>(1)</sup>	# of LED Colors	LED Colors <sup>(2)</sup>	Connection <sup>(3)</sup>	Inputs
TL50BLZR	1	Red	4-wire PVC cable	100 V AC to 240 V AC
TL50BLZGR	2	Green, Red		
TL50BLZGYR	3	Green, Yellow, Red	5-wire PVC cable	
TL50BLZBGYR	4	Blue, Green, Yellow, Red		
TL50BLZWBGYR	5	White, Blue, Green, Yellow, Red	6-wire PVC cable	

## Audible Models

### Standard Audible Models

Models <sup>(1)</sup>	# of LED Colors	LED Colors <sup>(2)</sup>	Connection <sup>(3)</sup>	Inputs
TL50BLZRA	1	Red	4-wire PVC cable	100 V AC to 240 V AC
TL50BLZGRA	2	Green, Red		
TL50BLZGYRA	3	Green, Yellow, Red	5-wire PVC cable	
TL50BLZBGYRA	4	Blue, Green, Yellow, Red	6-wire PVC cable	

### Sealed Audible Models

Models <sup>(1)</sup>			# of LED Colors	LED Colors <sup>(2)</sup>	Connection <sup>(3)</sup>	Inputs
Continuous	Pulsed at 1.6 Hz	Staccato				
TL50BLZRALS	TL50BLZRALS3	TL50BLZRALS4	1	Red	4-wire PVC cable	100 V AC to 240 V AC
TL50BLZGRALS	TL50BLZGRALS3	TL50BLZGRALS4	2	Green, Red		
TL50BLZGYRALS	TL50BLZGYRALS3	TL50BLZGYRALS4	3	Green, Yellow, Red	5-wire PVC cable	
TL50BLZBGYRALS	TL50BLZBGYRALS3	TL50BLZBGYRALS4	4	Blue, Green, Yellow, Red	6-wire PVC cable	

### Omni-Directional Sealed Audible Models

Models <sup>(1)</sup>			# of LED Colors	LED Colors <sup>(2)</sup>	Connection <sup>(3)</sup>	Inputs
Continuous	Pulsed at 1.6 Hz	Staccato				
TL50BLZRAOS	TL50BLZRAOS3	TL50BLZRAOS4	1	Red	4-wire PVC cable	100 V AC to 240 V AC
TL50BLZGRAOS	TL50BLZGRAOS3	TL50BLZGRAOS4	2	Green, Red		
TL50BLZGYRAOS	TL50BLZGYRAOS3	TL50BLZGYRAOS4	3	Green, Yellow, Red	5-wire PVC cable	

Continued on page 2

<sup>(1)</sup> Models with black housing are listed. For gray housing, add the suffix "C" at the end of the cabled model number or before the "QP" in 150 mm (6 in) PVC cable model numbers. For example, TL50BLZRC or TL50BLZRCQP.

<sup>(2)</sup> The first color listed is the bottom color, going up in successive order. Four color options are only available in audible cabled models. Five color options are only available in non-audible cabled models.

<sup>(3)</sup>

- To order the 150 mm (6 in) PVC cable model, add the suffix "QP" to the model number.
- Models with a quick-disconnect connector require a mating cordset.



Continued from page 1

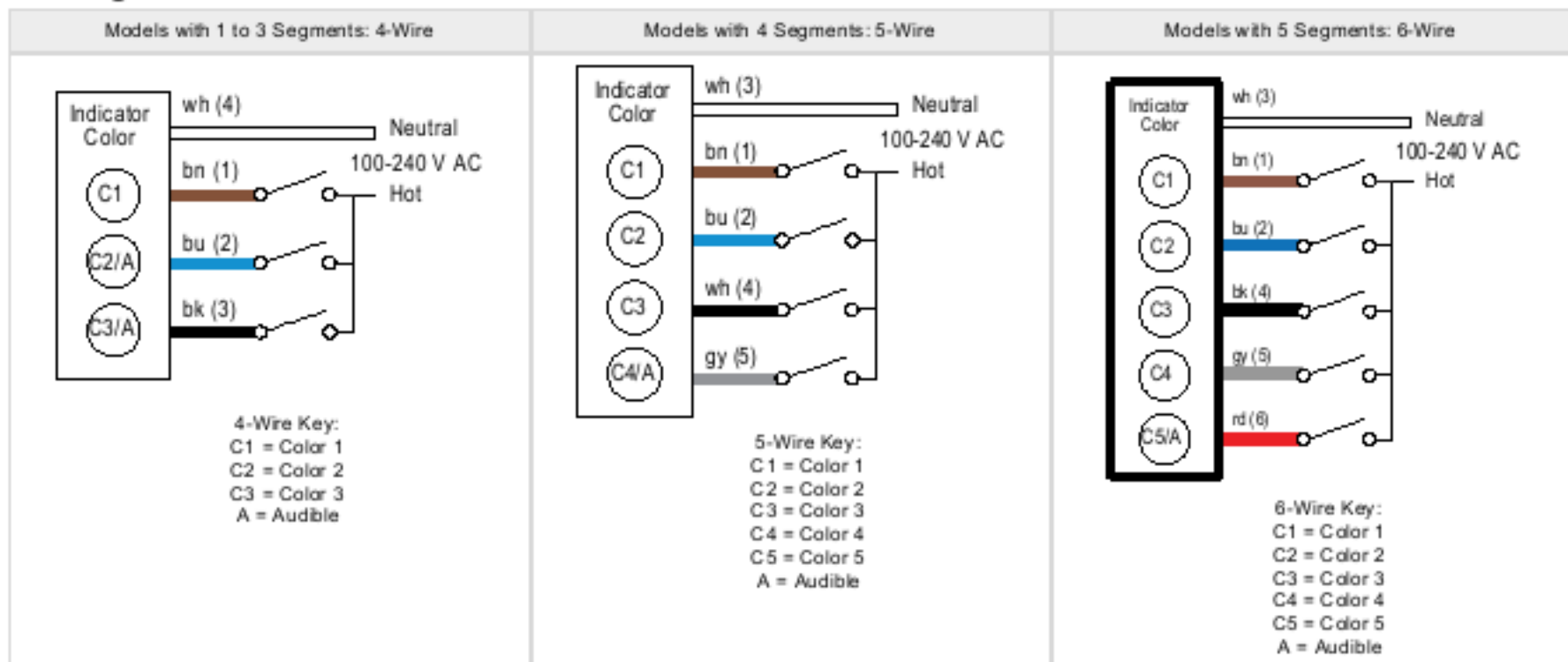
Models <sup>(1)</sup>			# of LED Colors	LED Colors <sup>(2)</sup>	Connection <sup>(3)</sup>	Inputs
Continuous	Pulsed at 1.6 Hz	Staccato				
TL50BLZBGYRAOS	TL50BLZBGYRAOS3	TL50BLZBGYRAOS4	4	Blue, Green, Yellow, Red	6-wire PVC cable	

Omni-Directional Sealed Audible Models with Intensity Adjustment

Models <sup>(1)</sup>			# of LED Colors	LED Colors <sup>(2)</sup>	Connection <sup>(3)</sup>	Inputs
Continuous	Pulsed at 1.6 Hz	Staccato				
TL50BLZRAOSI	TL50BLZRAOS3I	TL50BLZRAOS4I	1	Red	4-wire PVC cable	100 V AC to 240 V AC
TL50BLZGRAOSI	TL50BLZGRAOS3I	TL50BLZGRAOS4I	2	Green, Red		
TL50BLZGYRAOSI	TL50BLZGYRAOS3I	TL50BLZGYRAOS4I	3	Green, Yellow, Red	5-wire PVC cable	
TL50BLZBGYRAOSI	TL50BLZBGYRAOS3I	TL50BLZBGYRAOS4I	4	Blue, Green, Yellow, Red	6-wire PVC cable	

NOTE: See Banner Engineering catalog or go to [www.bannerengineering.com](http://www.bannerengineering.com) for additional models and complete information.

## Wiring



## Specifications

Supply Voltage and Current

100 V AC to 240 V AC at 50 Hz or 60 Hz

Indicators—maximum current per LED color:

- 55 mA at 100 V AC
- 50 mA at 120 V AC
- 35 mA at 240 V AC

Standard Audible Alarm: 30 mA maximum current

Sealed Audible Alarm: 30 mA maximum current

Omni-Directional Sealed Audible Alarm: 35 mA maximum current

Supply Protection Circuitry

Protected against transient voltages

Input Response Time

Indicator On/Off: 500 milliseconds maximum

Leakage Current Immunity

500 µA

Application Note: The use of relay output PLC is recommended since there is no leakage current. Solid state output PLCs often have leakage current above 1 mA and, therefore, turn the light on in the off state. To counteract the leakage current, a shunt resistor must be used. A resistor must be applied from the neutral wire of the device to the hot wire of each channel of the device.

Audible Alarm

Standard Audible Alarm: 2.7 kHz ± 500 Hz oscillation frequency; maximum intensity 92 dB at 1 m (3.3 ft) (typical)

Sealed Audible Alarm: 2.9 kHz ± 250 Hz oscillation frequency; maximum intensity 94 dB at 1 m (3.3 ft) (typical)

Omni-Directional Sealed Audible Alarm: 2.1 kHz ± 250 Hz oscillation frequency; maximum intensity 99 dB at 1 m (3.3 ft) (typical)

Omni-Directional Sealed Audible Alarm with Intensity Adjustment: 2.1 kHz ± 250 Hz oscillation frequency; maximum intensity 95 dB at 1 m (3.3 ft) (typical)

Omni-Directional Sealed Audible Alarm with Intensity Adjustment: 2.1 kHz ± 250 Hz oscillation frequency; maximum intensity 95 dB at 1 m (3.3 ft) (typical)

Typical Reduction in Sound Intensity with Audible Adjustment (maximum to minimum)

- Standard Audible: 30 dB
- Sealed Audible: 20 dB
- Omni-Directional Sealed Audible: 12 dB

Audible Adjustment

Standard Audible Alarm: Unscrew the cover (up to 1.5 turns maximum) to adjust the audible intensity. (Do not exceed 1.5 turns or the cover may detach during operation.) For maximum intensity, rotate the center plug 180° counterclockwise to remove it. Sealed Audible Alarm and Omni-Directional Sealed Audible Alarm with Intensity Adjustment: Rotate the front cover until the desired intensity is reached. Omni-Directional Sealed Audible Alarm: No adjustment.

Connections

4-wire, 5-wire, or 6-wire 2 m (6.5 ft) integral cable; or 150 mm (6 in) PVC-jacketed cable with a 4-pin or 5-pin M12 quick-disconnect connector, depending on model

Models with a quick-disconnect connector require a mating cordset

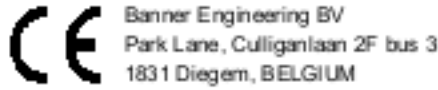
Construction

Bases and Covers: ABS  
 Light Segment: Polycarbonate

**Vibration and Mechanical Shock**

Meets IEC 60068-2-6 requirements (Vibration: 10 Hz to 55 Hz, 1.0 mm amplitude, 5 minutes sweep, 30 minutes dwell)  
 Meets IEC 60068-2-27 requirements (Shock: 30G 11 ms duration, half sine wave)

**Certifications**



**Indicators**

LEDs are independently selected; 1 to 5 colors depending on model

**Indicator Characteristics**

Color	Dominant Wavelength (nm) or Color Temperature (CCT)	Lumen Output (Typical at 25 °C)
Green	525 nm	52
Red	626 nm	24
Yellow	590 nm	15
Blue	470 nm	16
White	5000 K	56

**Indicator Functions**

A color designation followed by an LED option number, indicates the LED status. For example: TL50BLZR2Q, or TL50BLZG1RQ.

LED Option	LED Status	Rotation or Flash Rate
Blank	Steady On	-
1	Rotating	200 RPM ± 15%
2	Flashing	1.6 Hz rate ± 15%

**Operating Conditions**

Non-Audible: -40 °C to +90 °C (-40 °F to +122 °F)  
 Standard and Sealed Audible: -20 °C to +50 °C (-4 °F to +122 °F)  
 95% at +50 °C maximum relative humidity (non-condensing)

**Environmental Rating**

UL Type 4X Indoor and UL Type 13 Non-Audible and Sealed Audible: IP67  
 Standard Audible: IP50

**Required Overcurrent Protection**

**WARNING:** Electrical connections must be made by qualified personnel in accordance with local and national electrical codes and regulations.

Overcurrent protection is required to be provided by end product application per the supplied table. Overcurrent protection may be provided with external fusing or via Current Limiting, Class 2 Power Supply. Supply wiring leads <24 AWG shall not be spliced. For additional product support, go to [www.bannerengineering.com](http://www.bannerengineering.com).

Supply Wiring (AWG)	Required Overcurrent Protection (A)	Supply Wiring (AWG)	Required Overcurrent Protection (A)
20	5.0	26	1.0
22	3.0	28	0.8
24	1.0	30	0.5

**Dimensions**

All measurements are listed in millimeters [inches], unless noted otherwise. The measurements provided are subject to change.

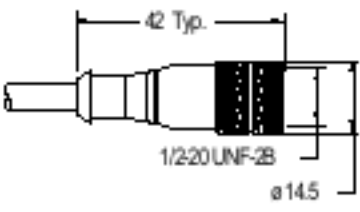
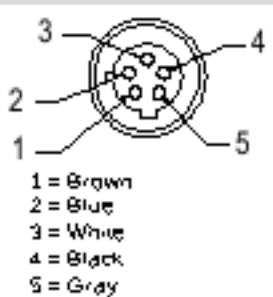
Dimensions	# of Segments	Tower Height (H)			
		Non-Audible	Standard Audible <sup>(4)</sup>	Sealed Audible	Omni-Directional Sealed Audible
	1	115.2 mm (4.5 in)	146.1 mm (5.8 in)	169.2 mm (6.7 in)	183.2 mm (7.2 in)
	2	141 mm (5.6 in)	171.9 mm (6.8 in)	195 mm (7.7 in)	209 mm (8.2 in)
	3	166.8 mm (6.6 in)	197.7 mm (7.8 in)	220.8 mm (8.7 in)	234.8 mm (9.2 in)
	4	192.6 mm (7.6 in)	223.5 mm (8.8 in)	246.6 mm (9.7 in)	260.6 mm (10.3 in)
	5	218.4 mm (8.6 in)	-	-	-

**Accessories**

**Cordsets**

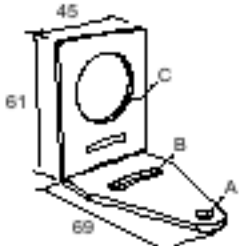
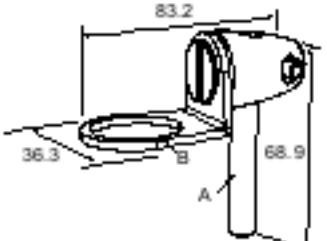
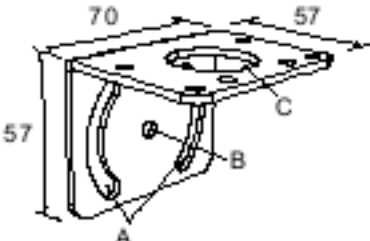
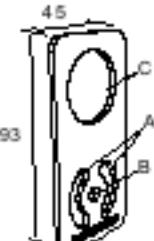
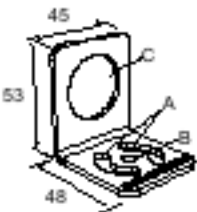
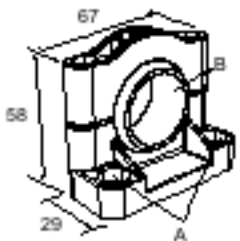
4-Pin Single-Ended 1/2-in Dual Key Female Cordsets				
Model	Length	Style	Dimensions	Pinout (Female)
MQAC2-406	2 m (6.56 ft)	Straight		
MQAC2-415	5 m (16.4 ft)			
MQAC2-430	9.14 m (30 ft)			

<sup>(4)</sup> Tower height (H) with top unscrewed approximately 3.5 mm to allow sound to escape.

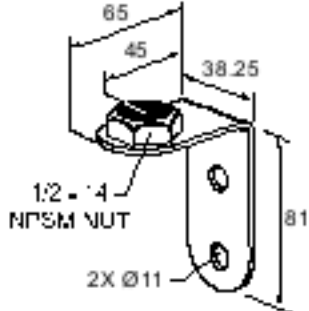
5-Pin Single-Ended 1/2-in Dual Key Female Cordsets				
Model	Length	Style	Dimensions	Pinout (Female)
MQAC2-506	2 m (6.56 ft)	Straight		
MQAC2-515	5 m (16.4 ft)			
MQAC2-530	9.14 m (30 ft)			

## Mounting Brackets



All measurements are listed in millimeters [inches], unless noted otherwise. The measurements provided are subject to change.

<p><b>SMB30A</b></p> <ul style="list-style-type: none"> <li>Right-angle bracket with curved slot for versatile orientation</li> <li>Clearance for M6 (1/4 in) hardware</li> <li>Mounting hole for 30 mm sensor</li> <li>12-gauge stainless steel</li> </ul> <p>Hole center spacing: A to B=40 Hole size: A=ø 6.3, B= 27.1 × 6.3, C=ø 30.5</p>	
<p><b>SMB30FA</b></p> <ul style="list-style-type: none"> <li>Swivel bracket with tilt and pan movement for precise adjustment</li> <li>Mounting hole for 30 mm sensor</li> <li>12-gauge 304 stainless steel</li> <li>Easy sensor mounting to extrude rail T-slot</li> <li>Metric- and inch-size bolt available</li> </ul> <p>Bolt thread: SMB30FA, A= 3/8 - 16 × 2 in; SMB30FAM10, A= M10 - 1.5 × 50 Hole size: B= ø 30.1</p>	
<p><b>SMB30MM</b></p> <ul style="list-style-type: none"> <li>12-gauge stainless steel bracket with curved mounting slots for versatile orientation</li> <li>Clearance for M6 (1/4 in) hardware</li> <li>Mounting hole for 30 mm sensor</li> </ul> <p>Hole center spacing: A = 51, A to B = 25.4 Hole size: A = 42.6 × 7, B = ø 6.4, C = ø 30.1</p>	
<p><b>SMBAMS30P</b></p> <ul style="list-style-type: none"> <li>Flat SMBAMS series bracket</li> <li>30 mm hole for mounting sensors</li> <li>Articulation slots for 90°+ rotation</li> <li>12-gauge 300 series stainless steel</li> </ul> <p>Hole center spacing: A=26.0, A to B= 13.0 Hole size: A=26.8 × 7.0, B=ø 6.5, C=ø 31.0</p>	
<p><b>SMBAMS30RA</b></p> <ul style="list-style-type: none"> <li>Right-angle SMBAMS series bracket</li> <li>30 mm hole for mounting sensors</li> <li>Articulation slots for 90°+ rotation</li> <li>12-gauge (2.6 mm) cold-rolled steel</li> </ul> <p>Hole center spacing: A=26.0, A to B= 13.0 Hole size: A=26.8 × 7.0, B=ø 6.5, C=ø 31.0</p>	
<p><b>SMB30SC</b></p> <ul style="list-style-type: none"> <li>Swivel bracket with 30 mm mounting hole for sensor</li> <li>Black reinforced thermoplastic polyester</li> <li>Stainless steel mounting and swivel locking hardware included</li> </ul> <p>Hole center spacing: A=ø 50.8 Hole size: A=ø 7.0, B=ø 30.0</p>	




<p><b>LMBE12RA35</b></p> <ul style="list-style-type: none"> <li>• Direct mounting of stand-off pipe, with common bracket type</li> <li>• Zinc-plated steel</li> <li>• 1/2-14 NPSM nut</li> <li>• Mounting distance from the wall to the center of the 1/2-14 NPSM nut is 35 mm</li> </ul> <p>Hole center spacing: 20.0</p>	
--	---

<p><b>LMBE12RA45</b></p> <ul style="list-style-type: none"> <li>• Direct mounting of stand-off pipe, with common bracket type</li> <li>• Zinc-plated steel</li> <li>• 1/2-14 NPSM nut</li> <li>• Mounting distance from the wall to the center of the 1/2-14 NPSM nut is 45 mm</li> </ul> <p>Hole center spacing: 35.0</p>	
--	---

### LMB Sealed Right-Angle Bracket

Model	Description	
LMB30RA - Black polycarbonate LMB30RAC - Gray polycarbonate	<ul style="list-style-type: none"> <li>• Direct-Mount Models</li> <li>• Bracket kit with base, 30 mm adapter, set screw, fasteners, O-rings, and gaskets.</li> </ul>	
LMBE12RA - Black polycarbonate LMBE12RAC - Gray polycarbonate	<ul style="list-style-type: none"> <li>• Pipe-Mount Models</li> <li>• Bracket kit with base, 1/2-14 pipe adapter, set screw, fasteners, O-rings, and gaskets</li> <li>• For use with stand-off pipe (listed and sold separately)</li> </ul>	

### Elevated Mount System

Model			Description	Components
SA-M30TE12 Black Acetal			<ul style="list-style-type: none"> <li>• Streamlined black acetal or white UHMW stand-off pipe adapter/cover</li> <li>• Connects between 30 mm light base and 1/2 in. NPSM/DN 15 pipe</li> <li>• Mounting hardware included</li> </ul>	
SA-M30TE12C White UHMW				
Polished 304 Stainless Steel	Black Anodized Aluminum	Clear Anodized Aluminum	<ul style="list-style-type: none"> <li>• Elevated-use stand-off pipe (1/2 in. NPSM/DN15)</li> <li>• Polished 304 stainless steel, black anodized aluminum, or clear anodized aluminum surface</li> <li>• 1/2 in. NPT thread at both ends: one end screws into the internal threads of the light's base, and one end screws into the mounting base adapter/cover</li> <li>• Compatible with most industrial environments</li> </ul>	
SOP-E12-150SS 150 mm (6 in) long	SOP-E12-150A 150 mm (6 in) long	SOP-E12-150AC 150 mm (6 in) long		
SOP-E12-300SS 300 mm (12 in) long	SOP-E12-300A 300 mm (12 in) long	SOP-E12-300AC 300 mm (12 in) long		
SOP-E12-900SS 900 mm (36 in) long	SOP-E12-900A 900 mm (36 in) long	SOP-E12-900AC 900 mm (36 in) long		
SA-E12M30 Black Acetal			<ul style="list-style-type: none"> <li>• Streamlined black acetal or white UHMW mounting base adapter/cover</li> <li>• Connects between 1/2 in. NPSM/DN15 pipe and 30 mm (1-3/16 in) drilled hole</li> <li>• Mounting hardware included</li> </ul>	
SA-E12M30C White UHMW				

## Pipe Mounting Flange

Pipe Mounting Flange			
Model	Description	Construction	
SA-F12	<ul style="list-style-type: none"> <li>Elevated-use stand-off pipes (1/2 in, NPSM/ DN15)</li> <li>M5 mounting hardware and nitrile gasket included</li> </ul>	Die-cast zinc base with black paint	
SA-F12-3	<ul style="list-style-type: none"> <li>Elevated-use stand-off pipes (1/2 in, NPSM/ DN15)</li> <li>M4 mounting hardware and nitrile blend gasket included</li> </ul>	Black Polycarbonate	

## Banner Engineering Corp Limited Warranty

Banner Engineering Corp. warrants its products to be free from defects in material and workmanship for one year following the date of shipment. Banner Engineering Corp. will repair or replace, free of charge, any product of its manufacture which, at the time it is returned to the factory, is found to have been defective during the warranty period. This warranty does not cover damage or liability for misuse, abuse, or the improper application or installation of the Banner product.

THIS LIMITED WARRANTY IS EXCLUSIVE AND IN LIEU OF ALL OTHER WARRANTIES WHETHER EXPRESS OR IMPLIED (INCLUDING, WITHOUT LIMITATION, ANY WARRANTY OF MERCHANTABILITY OR FITNESS FOR A PARTICULAR PURPOSE), AND WHETHER ARISING UNDER COURSE OF PERFORMANCE, COURSE OF DEALING OR TRADE USAGE.

This Warranty is exclusive and limited to repair or, at the discretion of Banner Engineering Corp., replacement. IN NO EVENT SHALL BANNER ENGINEERING CORP. BE LIABLE TO BUYER OR ANY OTHER PERSON OR ENTITY FOR ANY EXTRA COSTS, EXPENSES, LOSSES, LOSS OF PROFITS, OR ANY INCIDENTAL, CONSEQUENTIAL OR SPECIAL DAMAGES RESULTING FROM ANY PRODUCT DEFECT OR FROM THE USE OR INABILITY TO USE THE PRODUCT, WHETHER ARISING IN CONTRACT OR WARRANTY, STATUTE, TORT, STRICT LIABILITY, NEGLIGENCE, OR OTHERWISE.

Banner Engineering Corp. reserves the right to change, modify or improve the design of the product without assuming any obligations or liabilities relating to any product previously manufactured by Banner Engineering Corp. Any misuse, abuse, or improper application or installation of this product or use of the product for personal protection applications when the product is identified as not intended for such purposes will void the product warranty. Any modifications to this product without prior express approval by Banner Engineering Corp will void the product warranties. All specifications published in this document are subject to change; Banner reserves the right to modify product specifications or update documentation at any time. Specifications and product information in English supersede that which is provided in any other language. For the most recent version of any documentation, refer to: [www.bannerengineering.com](http://www.bannerengineering.com).

For patent information, see [www.bannerengineering.com/patents](http://www.bannerengineering.com/patents).