

# Features

Lighted Touch Button with Bipolar Outputs



- Rugged, cost-effective, and easy-to-install touch button with multicolor light
- Momentary versions remain activated as long as touch is present
- Latching versions start-up not activated and toggle between activated and not activated on successive touches
- Waterproof construction for washdown environments
- Ergonomically designed to eliminate hand, wrist, and arm stresses associated with repeated switch operation; requires no physical force to operate
- Can be actuated with bare hands or gloves
- 12 V DC to 30 V DC operation

**WARNING:**



- Do not use this device for personnel protection
- Using this device for personnel protection could result in serious injury or death.
- This device does not include the self-checking redundant circuitry necessary to allow its use in personnel safety applications. A device failure or malfunction can cause either an energized (on) or de-energized (off) output condition.

# Models

Model <sup>(1)</sup>	Function	Output	Light (not activated)	Light (activated)	Connection
K50ALBTXGHQ	Latching	Bipolar, N.O.	-	Green	Integral 5-pin M12 male quick-disconnect connector
K50RLBTXGHQ		Bipolar, N.C.			
K50ABTXGHQ	Momentary	Bipolar, N.O.	-	Green	
K50RBTXGHQ		Bipolar, N.C.			
K50ALBTGGHQ	Latching	Bipolar, N.O.	Green	Green	
K50RLBTGGHQ		Bipolar, N.C.			
K50ABTGGHQ	Momentary	Bipolar, N.O.	Green	Green	
K50RBTGGHQ		Bipolar, N.C.			
K50ALBTRGHQ	Latching	Bipolar, N.O.	Red	Green	
K50RLBTRGHQ		Bipolar, N.C.			
K50ABTRGHQ	Momentary	Bipolar, N.O.	Red	Green	
K50RBTTRGHQ		Bipolar, N.C.			

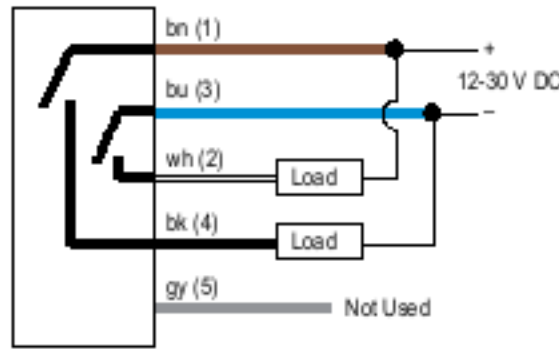
# Wiring Diagrams

Cabled wiring diagrams are shown. Quick disconnect wiring diagrams are functionally identical.

(1)

- To order the 150 mm (6 in) PVC cable model with a 5-pin M12 quick disconnect, replace the suffix "Q" with "QP" in the model number. For example, K50ALBTXGHQP.
- To order the 2 m (6.5 ft) PVC cable model, omit the suffix "Q" in the model number. For example K50ALBTXGH.
- Models with a quick disconnect require a mating cordset.





## Specifications

### Supply Voltage

12 V DC to 30 V DC

### Supply Current

- < 75 mA max current at 12 V DC (exclusive of load)
- < 50 mA max current at 30 V DC (exclusive of load)

### Supply Protection Circuitry

Protected against reverse polarity and transient voltages

### Output Rating

- Maximum load: 150 mA
- On-state saturation voltage: < 2 V DC at 10 mA; < 2.5 V DC at 150 mA
- Off-state leakage current: < 10  $\mu$ A at 30 V DC

### Indicator Lumens

Color	Typical Wavelength	Typical Intensity (lm)
Green	525 nm	29
Red	625 nm	13

### Construction

- Housing: polycarbonate
- Translucent dome: polycarbonate
- Mounting nut: PBT

### Operating Conditions

- 40 °C to +50 °C (-40 °F to +122 °F)
- 90% at 50 °C maximum relative humidity (non-condensing)

### Storage

- 40 °C to +70 °C (-40 °F to +158 °F)

### Environmental Rating

- IP67, IP69K per ISO 20653
- Cabled models also meet IP69K per ISO 20653 if the cable and cable entrance are protected from high-pressure spray.

### Vibration and Mechanical Shock

- All models meet Mil. Std. 202F requirements method 201A (vibration: 10 Hz to 60 Hz max., double amplitude 0.06 in. maximum acceleration 10G). Also meets IEC 947-5-2; 30G 11 ms duration, half sine wave.

### Output Response Time

- Momentary models: 50 milliseconds On and Off
- Latching models: 150 milliseconds On and Off

### Power-Up Delay

- 300 milliseconds
- Latching models start up in a 'not activated' state

### Connections

Integral 5-pin M12 male quick-disconnect connector, 2 m (6.5 ft) integral PVC-jacketed cable, or 150 mm (6 in) PVC-jacketed cable with 5-pin M12 male quick-disconnect connector

### Certifications



Banner Engineering BV  
Park Lane, Culliganlaan 2F bus 3  
1831 Diegem, BELGIUM



Turck Banner LTD Blenheim House  
Blenheim Court  
Wickford, Essex SS11 8YT  
GREAT BRITAIN



### Mounting

- M30 x 1.5 threaded base max. torque 4.5 N·m (40 in·lbf)

### Required Overcurrent Protection



**WARNING:** Electrical connections must be made by qualified personnel in accordance with local and national electrical codes and regulations.

Overcurrent protection is required to be provided by end product application per the supplied table.

Overcurrent protection may be provided with external fusing or via Current Limiting, Class 2 Power Supply.

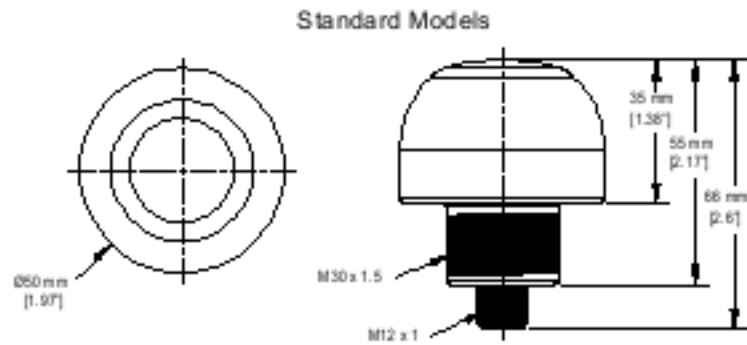
Supply wiring leads < 24 AWG shall not be spliced.

For additional product support, go to Key definition for "URL" not found in the DITA map..

Supply Wiring (AWG)	Required Overcurrent Protection (A)	Supply Wiring (AWG)	Required Overcurrent Protection (A)
20	5.0	28	1.0
22	3.0	28	0.8
24	1.0	30	0.5

## Dimensions

All measurements are listed in millimeters [inches], unless noted otherwise. The measurements provided are subject to change.



## Accessories

### Cordsets

5-Pin Single-Ended M12 Female Cordsets				
Model	Length	Style	Dimensions	Pinout (Female)
MQDC1-501.5	0.5 m (1.5 ft)	Straight		
MQDC1-503	0.9 m (2.9 ft)			
MQDC1-506	2 m (6.5 ft)			
MQDC1-515	5 m (16.4 ft)			
MQDC1-530	9 m (29.5 ft)			
MQDC1-560	18 m (59 ft)			
MQDC1-5100	31 m (101.7 ft)			
MQDC1-506RA	2 m (6.5 ft)	Right-Angle		
MQDC1-515RA	5 m (16.4 ft)			
MQDC1-530RA	9 m (29.5 ft)			
MQDC1-560RA	19 m (62.3 ft)			

5-Pin Single-Ended M12 Female Stainless Steel Washdown Cordsets				
Model	Length	Style	Dimensions	Pinout (Female)
MQDC-WDSS-0506	2 m (6.56 ft)	Straight		
MQDC-WDSS-0515	5 m (16.4 ft)			
MQDC-WDSS-0530	9 m (29.5 ft)			

5-Pin Single-Ended M12 Female Washdown, Shielded Cordsets				
Model	Length	Style	Dimensions	Pinout (Female)
MQDCWD-506	2 m (6.56 ft)	Straight		<p>1 = Brown 2 = White 3 = Blue 4 = Black 5 = Gray</p>
MQDCWD-530	9 m (29.5 ft)			

## Brackets

**SMB30A**

- Right-angle bracket with curved slot for versatile orientation
- Clearance for M6 (1/4 in) hardware
- Mounting hole for 30 mm sensor
- 12-gauge stainless steel

Hole center spacing: A to B=40  
Hole size: A=ø 6.3, B= 27.1 × 6.3, C=ø 30.5

**SMB30FA**

- Swivel bracket with tilt and pan movement for precise adjustment
- Mounting hole for 30 mm sensor
- 12-gauge 304 stainless steel
- Easy sensor mounting to extrude rail T-slot
- Metric- and inch-size bolt available

Bolt thread: SMB30FA, A= 3/8 - 16 × 2 in; SMB30FAM10, A= M10 - 1.5 × 50  
Hole size: B= ø 30.1

**SMB30FVK**

- V-clamp, flat bracket and fasteners for mounting to pipe or extensions
- Clamp accommodates 28 mm dia. tubing or 1 in. square extrusions
- 30 mm hole for mounting sensors

Hole size: A= ø 31

**SMB30MM**

- 12-gauge stainless steel bracket with curved mounting slots for versatile orientation
- Clearance for M6 (1/4 in) hardware
- Mounting hole for 30 mm sensor

Hole center spacing: A = 51, A to B = 25.4  
Hole size: A = 42.6 × 7, B = ø 6.4, C = ø 30.1

**SMB30RAVK**

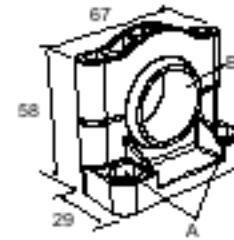
- V-clamp, right-angle bracket and fasteners for mounting sensors to pipe or extrusion
- Clamp accommodates 28 mm dia. tubing or 1 in. square extrusions
- 30 mm hole for mounting sensors

Hole size: A = ø 30.5

**SMB30SC**

- Swivel bracket with 30 mm mounting hole for sensor
- Black reinforced thermoplastic polyester
- Stainless steel mounting and swivel locking hardware included

Hole center spacing: A=ø 50.8  
Hole size: A=ø 7.0, B=ø 30.0

**SMBAMS30P**

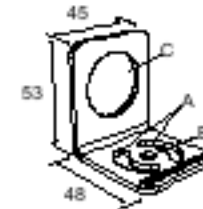
- Flat SMBAMS series bracket
- 30 mm hole for mounting sensors
- Articulation slots for 90°+ rotation
- 12-gauge 300 series stainless steel

Hole center spacing: A=26.0, A to B=13.0  
Hole size: A=26.8 × 7.0, B=ø 6.5, C=ø 31.0

**SMBAMS30RA**

- Right-angle SMBAMS series bracket
- 30 mm hole for mounting sensors
- Articulation slots for 90°+ rotation
- 12-gauge (2.6 mm) cold-rolled steel

Hole center spacing: A=26.0, A to B=13.0  
Hole size: A=26.8 × 7.0, B=ø 6.5, C=ø 31.0

**TC-K50-CL**

- Touch cover

Diameter: A = 67 mm  
Height: B = 42.5 mm



## Banner Engineering Corp Limited Warranty

Banner Engineering Corp. warrants its products to be free from defects in material and workmanship for one year following the date of shipment. Banner Engineering Corp. will repair or replace, free of charge, any product of its manufacture which, at the time it is returned to the factory, is found to have been defective during the warranty period. This warranty does not cover damage or liability for misuse, abuse, or the improper application or installation of the Banner product.

THIS LIMITED WARRANTY IS EXCLUSIVE AND IN LIEU OF ALL OTHER WARRANTIES WHETHER EXPRESS OR IMPLIED (INCLUDING, WITHOUT LIMITATION, ANY WARRANTY OF MERCHANTABILITY OR FITNESS FOR A PARTICULAR PURPOSE), AND WHETHER ARISING UNDER COURSE OF PERFORMANCE, COURSE OF DEALING OR TRADE USAGE.

This Warranty is exclusive and limited to repair or, at the discretion of Banner Engineering Corp., replacement. IN NO EVENT SHALL BANNER ENGINEERING CORP. BE LIABLE TO BUYER OR ANY OTHER PERSON OR ENTITY FOR ANY EXTRA COSTS, EXPENSES, LOSSES, LOSS OF PROFITS, OR ANY INCIDENTAL, CONSEQUENTIAL OR SPECIAL DAMAGES RESULTING FROM ANY PRODUCT DEFECT OR FROM THE USE OR INABILITY TO USE THE PRODUCT, WHETHER ARISING IN CONTRACT OR WARRANTY, STATUTE, TORT, STRICT LIABILITY, NEGLIGENCE, OR OTHERWISE.

Banner Engineering Corp. reserves the right to change, modify or improve the design of the product without assuming any obligations or liabilities relating to any product previously manufactured by Banner Engineering Corp. Any misuse, abuse, or improper application or installation of this product or use of the product for personal protection applications when the product is identified as not intended for such purposes will void the product warranty. Any modifications to this product without prior express approval by Banner Engineering Corp will void the product warranties. All specifications published in this document are subject to change; Banner reserves the right to modify product specifications or update documentation at any time. Specifications and product information in English supersede that which is provided in any other language. For the most recent version of any documentation, refer to: [www.bannerengineering.com](http://www.bannerengineering.com).

For patent information, see [www.bannerengineering.com/patents](http://www.bannerengineering.com/patents).