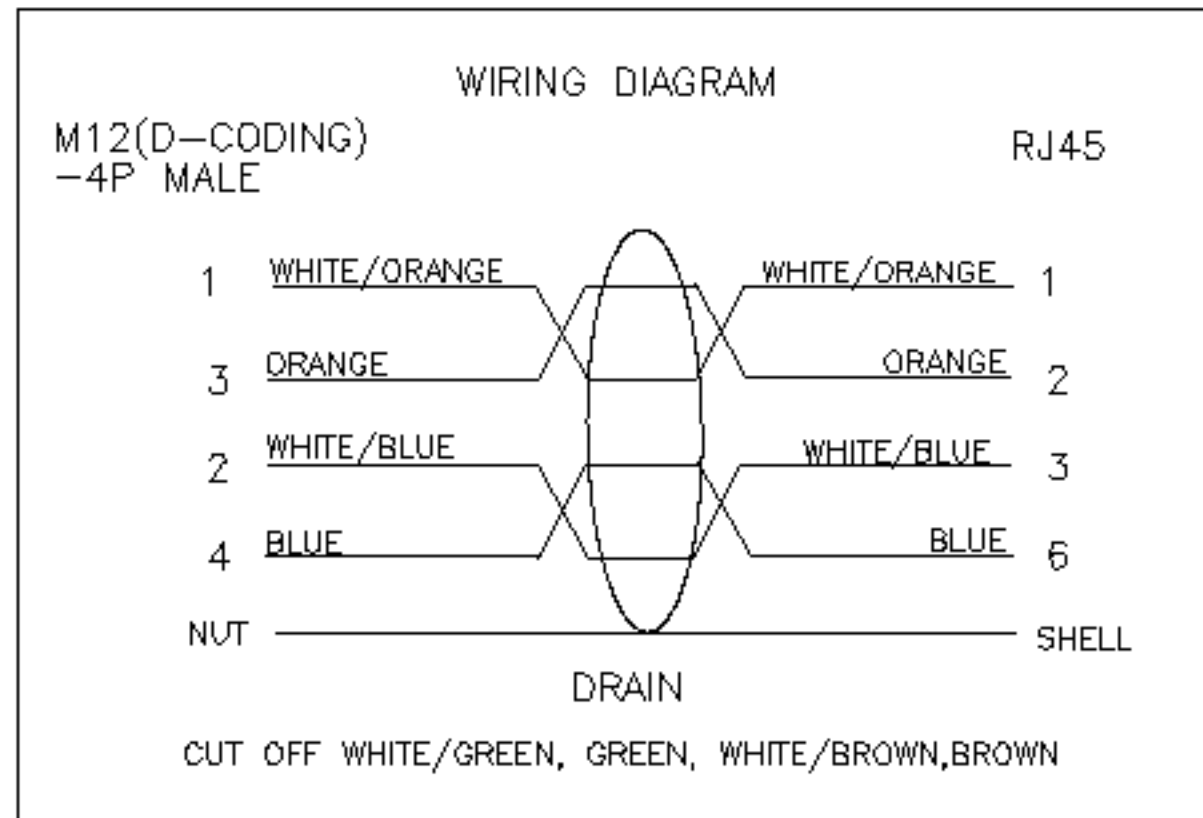
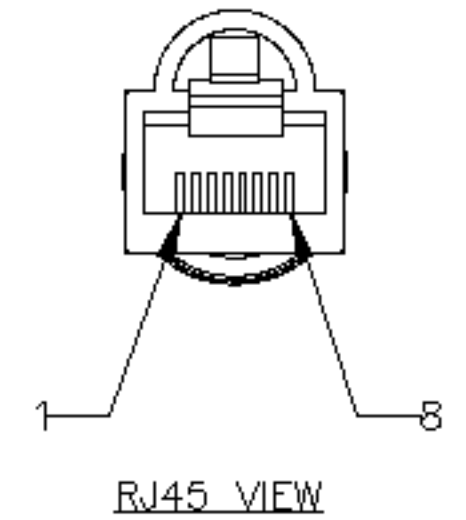
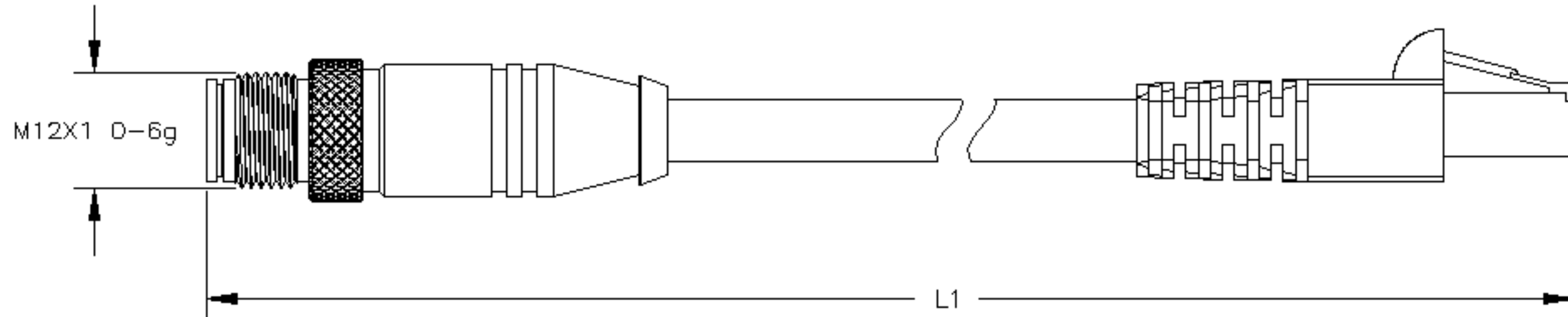
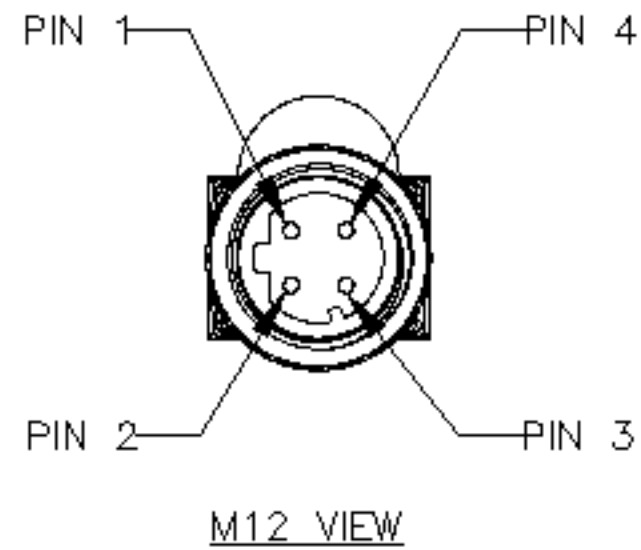


TABLE OF LENGTHS		
P/N	MODEL NO.	"L1"(m)
816347	STP-M12D-403	0.9
806414	STP-M12D-406	1.83
806415	STP-M12D-415	4.57
806416	STP-M12D-430	9.14



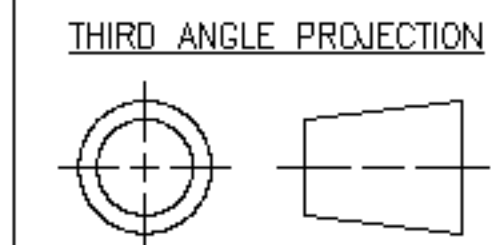
NOTES:
 1. ALL DIMENSIONS ARE MILLIMETERS [INCHES] UNLESS OTHERWISE NOTED.
 2. REFER TO "www.bannerengineering.com" FOR ADDITIONAL DATA AND SPECIFICATIONS.

This drawing is the property of BANNER ENGINEERING CORP. Any use or reproduction, in any form, without prior written permission of Banner is prohibited.
 © 2015 Banner Engineering Corp.

BANNER BANNER ENGINEERING CORP.
 www.bannerengineering.com

TITLE
 STP-M12D-4XX

SIZE B	DRAWING NO. 241763	REV. A
SCALE 3:2	SHEET 1 OF 1	



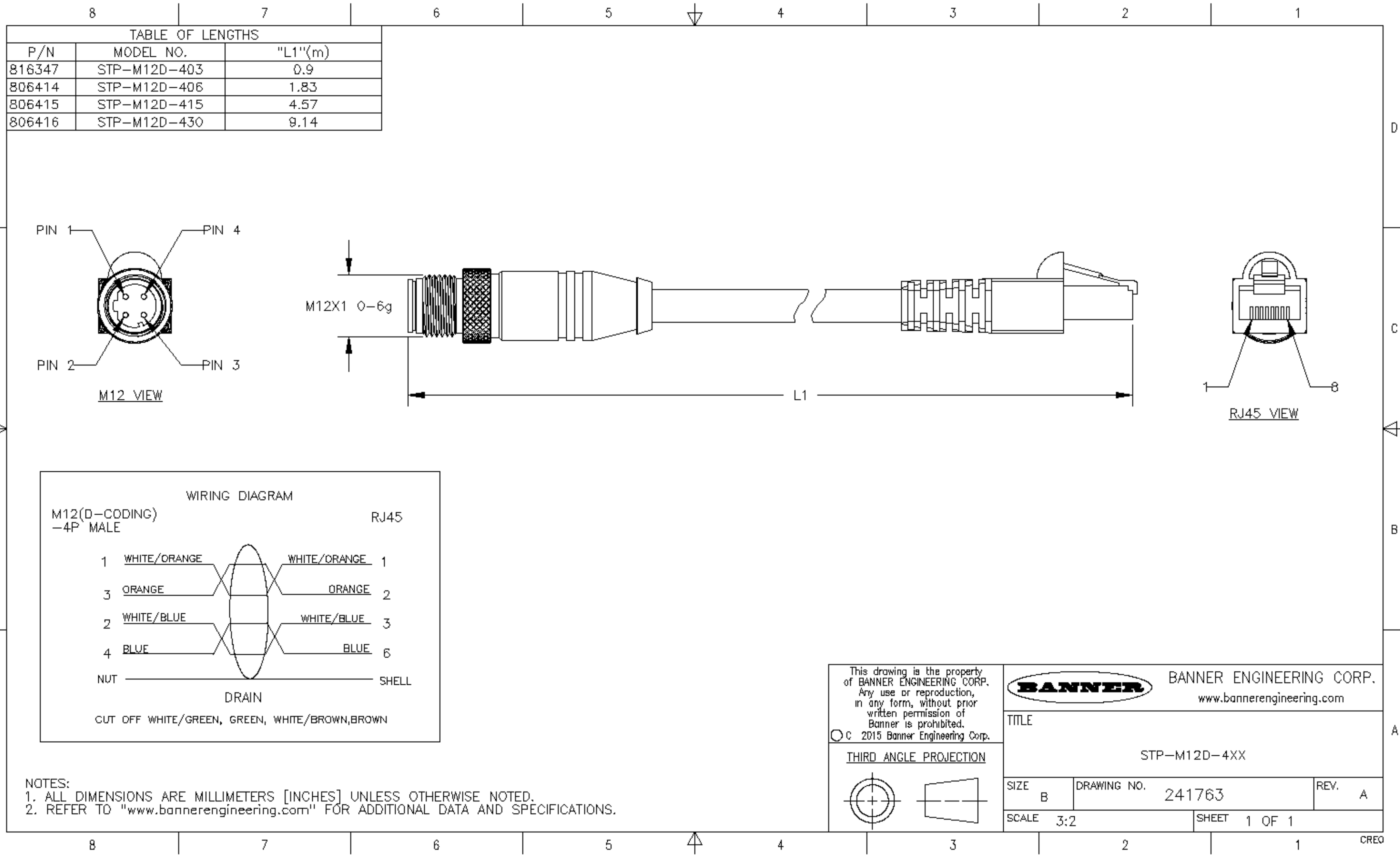
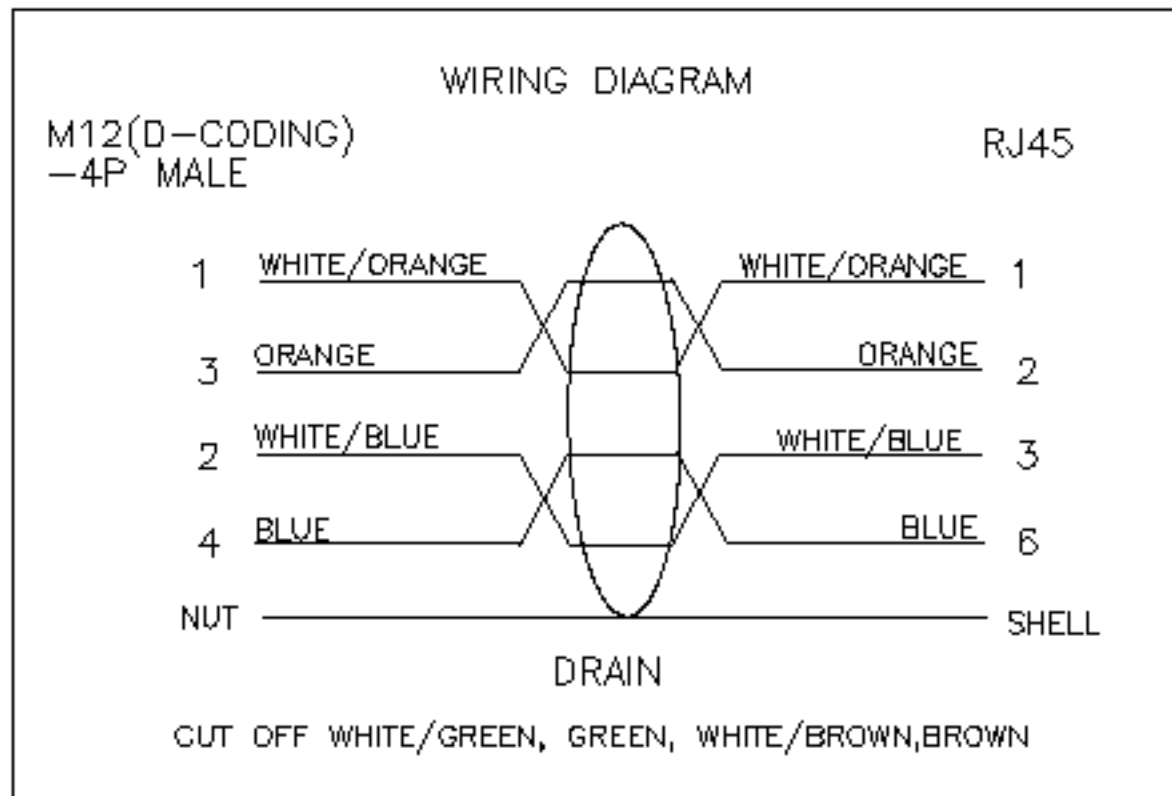
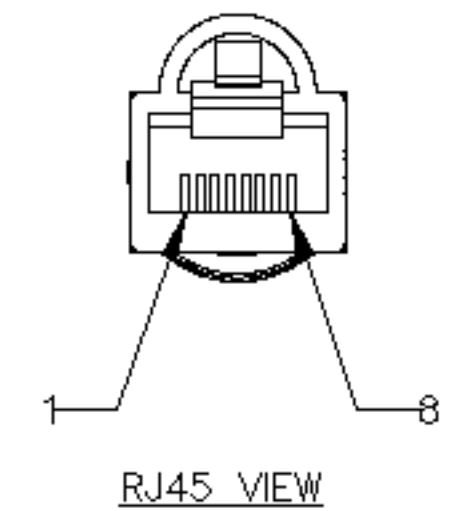
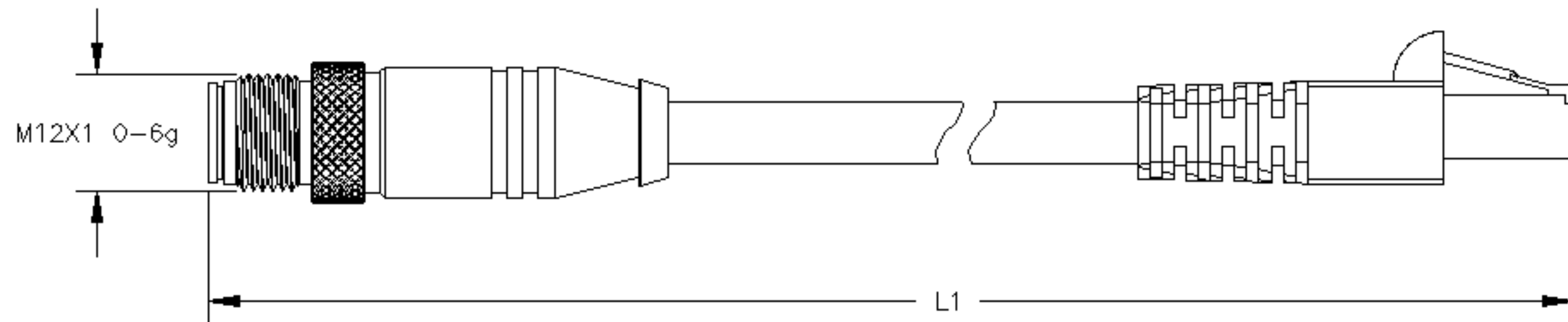
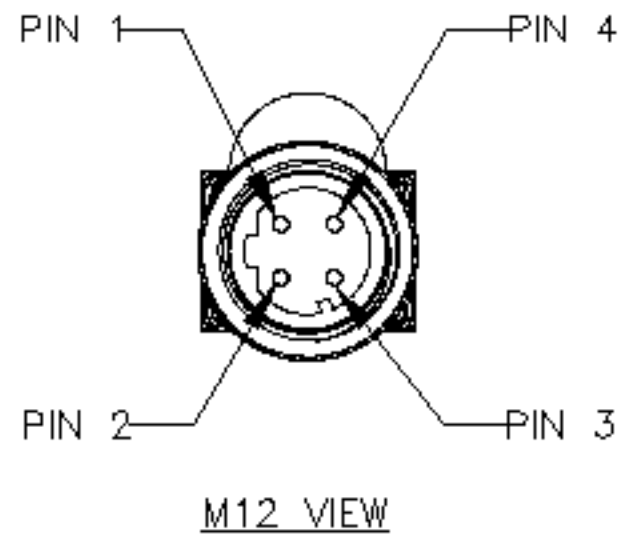


TABLE OF LENGTHS

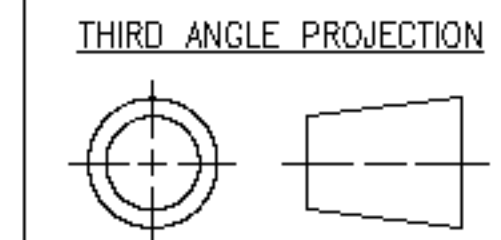
P/N	MODEL NO.	"L1"(m)
816347	STP-M12D-403	0.9
806414	STP-M12D-406	1.83
806415	STP-M12D-415	4.57
806416	STP-M12D-430	9.14



NOTES:
 1. ALL DIMENSIONS ARE MILLIMETERS [INCHES] UNLESS OTHERWISE NOTED.
 2. REFER TO "www.bannerengineering.com" FOR ADDITIONAL DATA AND SPECIFICATIONS.

This drawing is the property of BANNER ENGINEERING CORP. Any use or reproduction, in any form, without prior written permission of Banner is prohibited.
 © 2015 Banner Engineering Corp.

BANNER BANNER ENGINEERING CORP.
 www.bannerengineering.com



TITLE		STP-M12D-4XX	
SIZE B	DRAWING NO. 241763	REV. A	
SCALE 3:2	SHEET 1 OF 1		

