



## VS4 Series

### Miniature self-contained sensor DC operation

#### Wave length

Visible red 660 nm

#### Supply

Supply voltage  $U_B$  10...30 VDC  
 Ripple  $V_{pp}$   $\leq 10\%$   
 No load current  $I_0$   $< 25\text{ mA}$   
 Delay upon power up 100 ms

#### Protection

reverse polarity  
 transient voltages  
 short-circuit of outputs  
 continuous overload  
 false pulse on power-up

#### Output

Switching function light or dark operate versions (model dependant)

Switching frequency  $\leq 660\text{ Hz}$   
 Continuous load current  $\leq 100\text{ mA}$   
 Repeatability 100  $\mu\text{s}$

#### Material

Housing thermoplastic  
 Mounting holes polycarbonate  
 Lens polycarbonate  
 Protection class IP67  
 Temperature range  $-20 \dots +55\text{ }^\circ\text{C}$   
 Cable (Emitter) 2 m, PVC 2 x 0,381 mm<sup>2</sup> stranded wire

Cable (Receiver) 2 m, PVC 3 x 0,381 mm<sup>2</sup> stranded wire

#### Connector

#### Indicator LEDs

Green supply voltage  
 Green flashing output overload  
 Yellow light sensed  
 Yellow flashing marginal excess gain

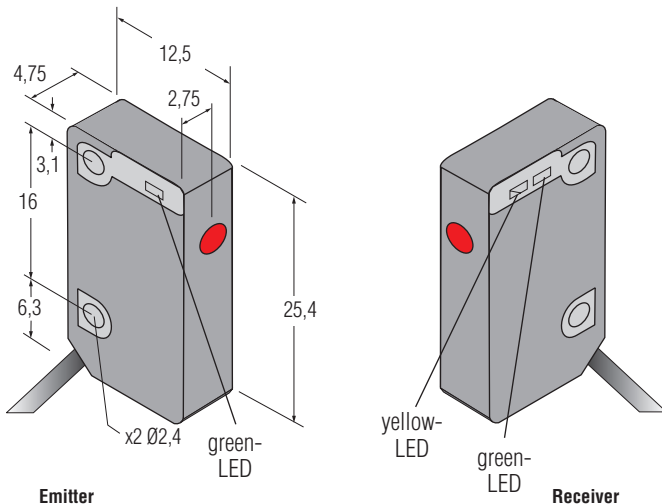
#### Accessories

#### Connectors

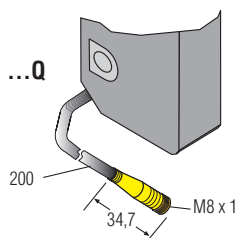
PKG3M-2 30 639 77 *pico-style*, straight 2 m  
 PKG3M-9 30 639 78 *pico-style*, straight 9 m

### Dimensions [mm]

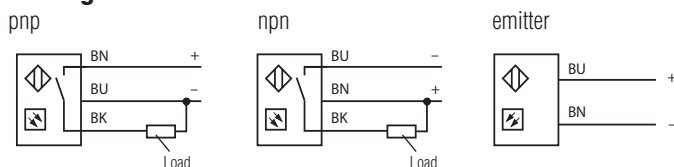
#### ● Cable



#### ● Connector



### Wiring

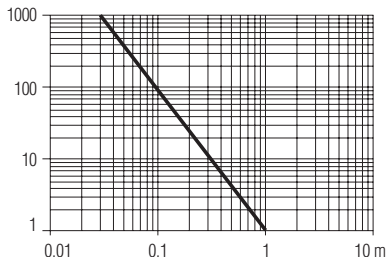


# VS4 Series

## Miniature self-contained sensor DC operation

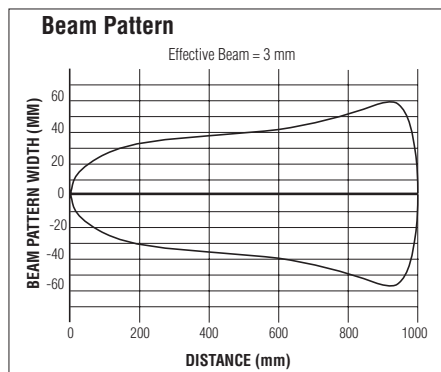
Excess gain curve:  
Excess gain in relation to the distance

### Opposed



|  | Max. range | Light source | Output function* | Connection | Type            | Ident number |
|--|------------|--------------|------------------|------------|-----------------|--------------|
|  | 1 m        | red          | -                | cable      | <b>VS4EV</b>    | 30 694 22    |
|  | 1 m        | red          | -                | connector  | <b>VS4EVQ</b>   | 30 694 27    |
|  | 1 m        | red          | pnp, light       | cable      | <b>VS4AP5R</b>  | 30 694 25    |
|  | 1 m        | red          | pnp, light       | connector  | <b>VS4AP5RQ</b> | 30 694 30    |
|  | 1 m        | red          | pnp, dark        | cable      | <b>VS4RP5R</b>  | 30 694 26    |
|  | 1 m        | red          | pnp, dark        | connector  | <b>VS4RP5RQ</b> | 30 694 31    |
|  | 1 m        | red          | npn, light       | cable      | <b>VS4AN5R</b>  | 30 694 23    |
|  | 1 m        | red          | npn, light       | connector  | <b>VS4AN5RQ</b> | 30 694 28    |
|  | 1 m        | red          | npn, dark        | cable      | <b>VS4RN5R</b>  | 30 694 24    |
|  | 1 m        | red          | npn, dark        | connector  | <b>VS4RN5RQ</b> | 30 694 29    |

\*nnp versions available on request



## Accessories

**Bracket, 90°**

Dimensions in mm

**Model No:** SMBVS4SRA  
**Part No:** 30 694 35

**Apertures**

**Model No:** APVS4-0206  
**Part No:** 30 027 38

- 2-holed aperture
- Ø 0,5 mm and Ø 1,52 mm holes

Dimensions in mm

**Model No:** APVS4-0408  
**Part No:** 30 027 39

- 2-holed aperture
- Ø 1 mm and Ø 2 mm holes

Dimensions in mm

Subject to changes without notice • Edition 7.06 • P/N ED105

**IMPORTANT SAFETY WARNING!** These sensors do NOT include the self-checking redundant circuitry necessary to allow their use in personnel safety applications. A sensor failure or malfunction can result in either an energised or de-energised output condition. These products should not be used as sensing devices for personnel safety.