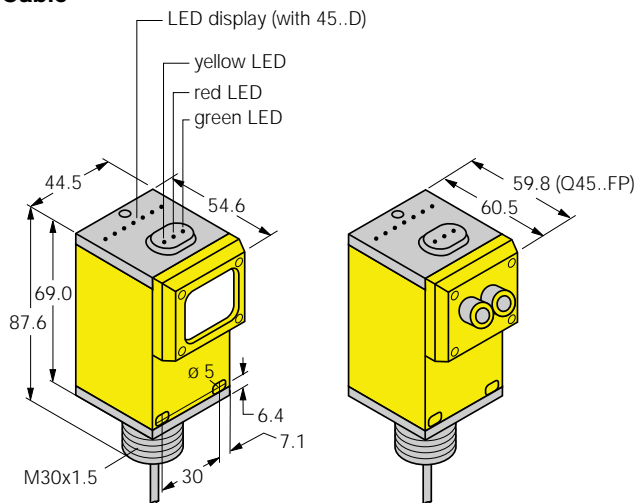


## Q45 series according to DIN 19234 (NAMUR)



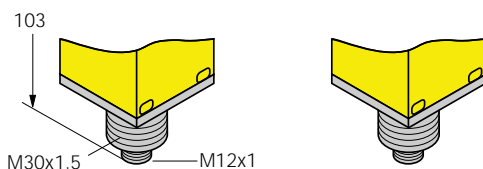
### Dimensions [mm]

#### ● Cable



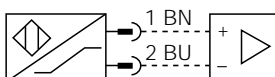
\* 56.4 (Q45...LP)  
\* 61.5 (Q45...CV)

#### ● Connector



Screws M30, SW36, included

### Wiring



#### Wave length

IR (infrared)	880 nm
Red	680 nm
	660 nm (Q45...FP)

#### Adjustment

sensitivity

#### Supply

Supply voltage 5...15 VDC (8.2 V nom.)

#### Output

No load current	≤ 1.2 mA (in "dark" condition) ≥ 2.1 mA (in "light" condition)
Switching frequency	100 Hz 250 Hz (opposed mode)

#### Ex-Certification

Accord. to certificate of conformity KEMA no. Ex.-95.C.3442  
Protection class intrinsically safe, EEx ia IIC T6

#### Material

Housing	PBT
Lens	acrylic
Cover	Lexan® (PC)
Protection class (DIN 40050)	IP 67
Temperature range	-40...+70 °C
Cable	2 m, PVC 2 x 0.5 mm <sup>2</sup>
Connector	Conprox®

#### Indicator LEDs

Red	light sensed (except Q45-9-E)
Green	power-on (Q45-9-E)

### Accessories

#### Brackets

SMB30A	34 703 00	angle bracket
SMB30S	34 706 00	swivel mount bracket
SMB30C	34 701 00	split clamp bracket

#### Connector

RK4.21T-2	66 360 50	straight type
WK4.21T-2	66 740 00	right-angled type

# Photoelectric sensors

## Q45 series according to DIN 19234 (NAMUR)

Excess gain curve:  
Excess gain in relation to the distance

	Max. range - fibre type	Light source	Output	Connection	Type	Ident number
<b>Retro-reflective</b> 	0.08...9 m	red	light operate	cable	<b>Q45-AD9-LV</b> <b>Q45-AD9-LV-Q</b> with polarising filter	30 376 20
	0.08...9 m	red	light operate	connector		30 376 30
	0.15...6 m	red	light operate	cable	<b>Q45-AD9-LP</b> <b>Q45-AD9-LP-Q</b>	30 376 19
	0.15...6 m	red	light operate	connector		30 376 29
<b>Diffuse</b> 	30 cm	IR	light operate	cable	<b>Q45-AD9-D</b> <b>Q45-AD9-D-Q</b> <b>Q45-AD9-DL</b> <b>Q45-AD9-DL-Q</b>	30 376 17
	30 cm	IR	light operate	connector		30 376 27
	107 cm	IR	light operate	cable		30 376 18
	107 cm	IR	light operate	connector		30 376 28
<b>Convergent</b> 	38 mm	red	light operate	cable	<b>Q45-AD9-CV</b> <b>Q45-AD9-CV-Q</b> <b>Q45-AD9-CV4</b> <b>Q45-AD9-CV4-Q</b>	30 376 23
	38 mm	red	light operate	connector		30 376 33
	100 mm	red	light operate	cable		30 376 24
	100 mm	red	light operate	connector		30 376 34
<b>Opposed</b> 	6 m	IR	-	cable	<b>Q45-9-E</b> <b>Q45-AD9-R</b> <b>Q45-9-E-Q</b> <b>Q45-AD9-R-Q</b>	30 376 25
	6 m	IR	light operate	connector		30 376 26
<b>Fibre-optic</b> 	glass	IR	light operate	cable	<b>Q45-AD9-F</b> <b>Q45-AD9-F-Q</b> <b>Q45-AD9-FP</b> <b>Q45-AD9-FP-Q</b>	30 376 21
	glass	IR	light operate	connector		30 376 31
	plastic	red	light operate	cable		30 376 22
	plastic	red	light operate	connector		30 376 32

Excess gain curves for fibre-optics: (1) Q45...F with IT23S, (2) ...F with BT23S, (3) ...FP with PIT46U, (4) ...FP with PBT46U

Subject to changes without notice • Edition 12.98/1 P/N ED036L8A



**IMPORTANT SAFETY WARNING !** These sensors do NOT include the self-checking redundant circuitry necessary to allow their use in personnel safety applications. A sensor failure or malfunction can result in either an energised or de-energised output condition. These products should not be used as sensing devices for personnel safety.