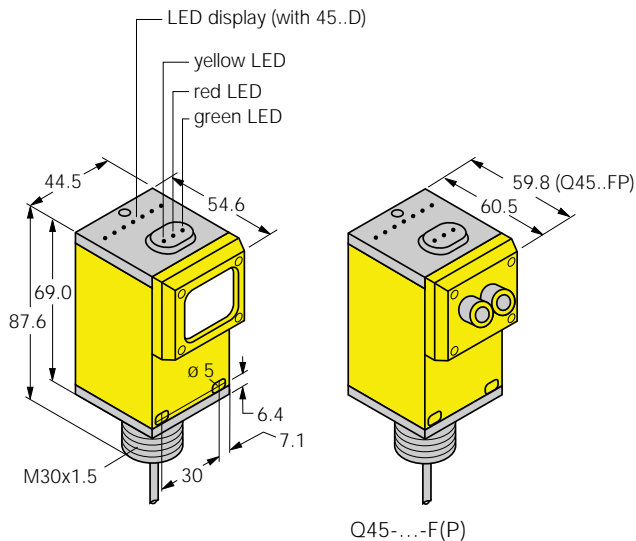


Q45 series AC operation with relay output



Dimensions [mm]



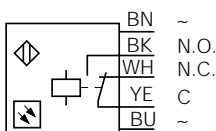
Screws M30, SW 36, included

* 56.4 (Q45...LP)

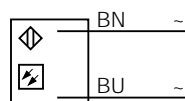
* 61,5 (Q45...CV)

Wiring

All except emitter



emitter



Wave length

IR (infrared)	880 nm
Red	680 nm
	660 nm (Q45...FP)

Adjustment

sensitivity
light/dark operate

Timing functions

0...15 s (only with 45LM5/8..)

Supply

Supply voltage	90...250 VAC
No load current	≤ 20 mA
Delay upon power up	100 ms

Output

Continuous load current	≤ 5 A
Switching frequency	33 Hz

Material

Housing	PBT
Lens	acrylic
Cover	Lexan® (PC)
Protection class (DIN 40050)	IP 67
Temperature range	-40...+70 °C
Cable ¹⁾	2 m, PVC 5 x 0.34 mm ² 2 m, PVC 2 x 0.5 mm ² (Q45...E)

Indicator LEDs

Red	light sensed AID (Alignment Indicat. Device)
Green	power-on
Yellow	output load status
7-segment red bargraph display	signal strength (only with 45LM..D)

Accessories

Plug-in modules for timing functions and LED-display

45LM5	30 354 95	on- and off-delay
45LM8	30 354 96	one-shot
45LM5D	30 365 91	on- and off-delay, display
45LM8D	30 365 93	one-shot, display
45LMD	30 354 97	display

Brackets

SMB30A	34 703 00	angle bracket
SMB30S	34 706 00	swivel mount bracket
SMB30C	34 701 00	split clamp bracket

¹⁾ minifast®-connector on request

Photoelectric sensors

Q45 series AC operation with relay output

Excess gain curve:
Excess gain in relation to the distance

	Max. range - fibre type	Light source	Output	Connection	Type	Ident number
Retro-reflective 	0.08...9 m	red	N.O. + N.C.	cable	Q45-VR2-LV	30 354 41
	0.15...6 m	red	N.O. + N.C.	cable	with polarising filter Q45-VR2-LP	30 354 40
Diffuse 	45 cm 1.8 m	IR IR	N.O. + N.C. N.O. + N.C.	cable cable	Q45-VR2-D Q45-VR2-DL	30 003 43 30 354 39
Convergent 	3.8 cm 10 cm	red red	N.O. + N.C. N.O. + N.C.	cable cable	Q45-VR2-CV Q45-VR2-CV4	30 354 46 30 354 47
Opposed 	60 m	IR IR	- N.O. + N.C.	cable cable	Q45-2-E Q45-VR2-R	30 354 42 30 354 43
Fibre-optic 	glass plastic	IR red	N.O. + N.C. N.O. + N.C.	cable cable	Q45-VR2-F Q45-VR2-FP	30 354 44 30 354 45

Excess gain curves for fibre-optics: (1) Q45...F with IT23S, (2) ...F with BT23S, (3) ...FP with PIT46U, (4) ...FP with PBT46U

Subject to changes without notice • Edition 12.98/1 P/N ED035L8A



IMPORTANT SAFETY WARNING! These sensors do NOT include the self-checking redundant circuitry necessary to allow their use in personnel safety applications. A sensor failure or malfunction can result in either an energised or de-energised output condition. These products should not be used as sensing devices for personnel safety.