

**Q85 series – Rectangular sensors**



**Q85 series  
ac/dc operation**

**Wave length**

IR (infrared) 880 nm  
Red 680 nm

**Adjustments**

sensitivity  
light and dark operate

**Timing function**

0,1...5 s (Q85...-T9-...)

**Supply**

Supply voltage 24...240 V ac or  
(non-polarised) 12...240 V dc  
No load current ≤ 2 W

**Output**

Continuous load current ≤ 3 A (30 V dc or 250 V ac)  
Switching frequency ≤ 25 Hz

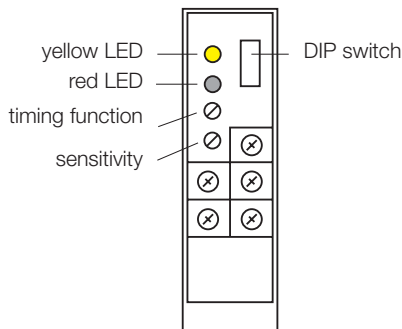
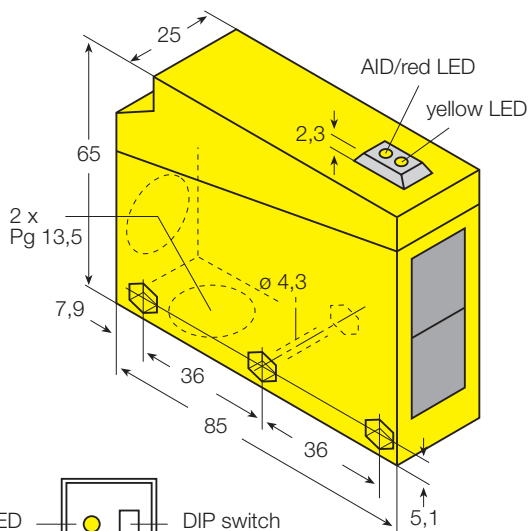
**Material**

Housing ABS  
Lens acrylic  
Protection class IP67  
(IEC 60529/EN 60529)  
Temperature range -25...+55 °C

**Indicator LED's**

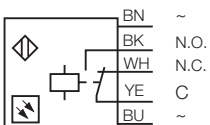
Red light sensed  
Yellow output load status  
Red flashing AID (alignment indicating device)

**Dimensions [mm]**

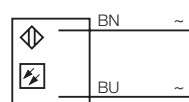


**Wiring**

all types except emitter



emitter



**Accessories**

**Brackets**

SMB85B 35 619 00 side mounting, included  
SMB85R 35 618 00 rear mounting, optional

# Q85 series

## ac/dc operation

Excess gain curve:  
Excess gain in relation to the distance

	<i>Max. range</i>	<i>Light source</i>	<i>Output function</i>	<i>Connection</i>	<i>Type</i>	<i>Ident number</i>
<p><b>Retro-reflective</b></p>	4,6 m 4,6 m	red red	relay relay	terminals terminals	with polarising filter <b>Q85VR3LP-B</b> <b>Q85VR3LP-T9-B</b>	35 600 00 35 601 00
<p><b>Diffuse</b></p>	0,25 m 0,25 m 1 m 1 m	IR IR IR IR	relay relay relay relay	terminals terminals terminals terminals	<b>Q85VR3D-B</b> <b>Q85VR3D-T9-B</b> <b>Q85VR3DL-B</b> <b>Q85VR3DL-T9-B</b>	35 604 00 35 605 00 35 602 00 35 603 00
<p><b>Opposed</b></p>	23 m	red	(emitter) relay relay	terminals terminals terminals	<b>Q853E-B</b> <b>Q85VR3R-B</b> <b>Q85VR3R-T9-B</b>	35 606 00 35 607 00 35 608 00

Subject to changes without notice • Edition 02.02 • P/N ED018 – excerpt from EC001/0102



These sensors do not include the self-checking redundant circuitry necessary to allow their use in personnel safety applications. A sensor failure or malfunction can result in either an energised or de-energised output condition. These products should not be used as sensing devices for personnel safety.