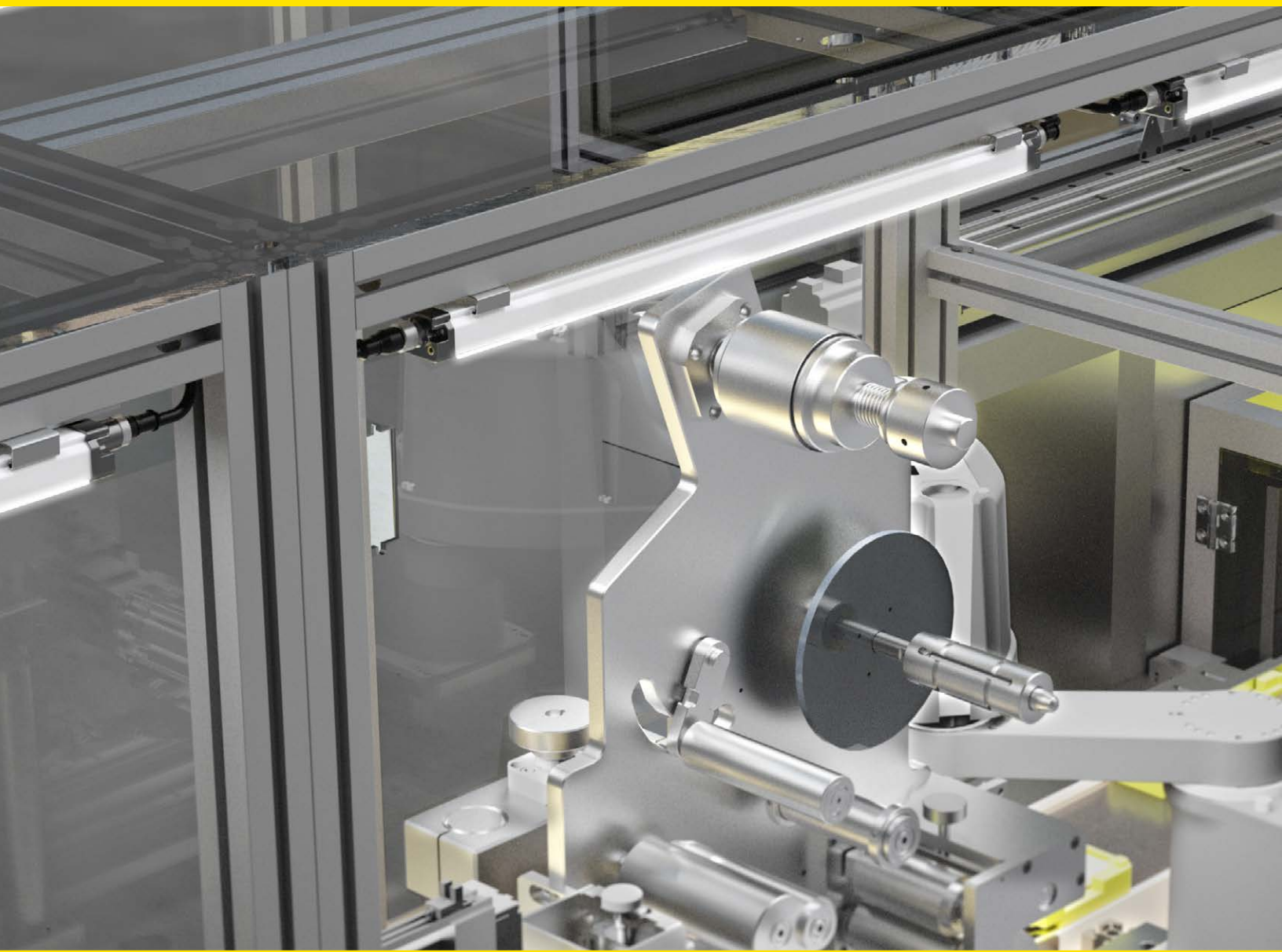


WLS28V Strip Lights



Your Go-To WLS28 for Reliable, Cost-Efficient, No-Glare Task Lighting

- Even, diffused, 5000K white light at 725 lumens per foot provides no-glare illumination so operators can see details and small parts while improving comfort
- Standalone switch (sold separately) enables group control, allowing operators to conveniently turn all lights on or off at once
- Eight lengths, up to 1130 mm, improve visibility and efficiency by properly illuminating a wide range of workspace sizes
- DC power simplifies integration into machine control systems
- IP65 and IP67 ratings ensure reliable operation in many environmental conditions, enabling use across a wide range of applications
- *Motion-activated and integral two-position switch models coming soon*



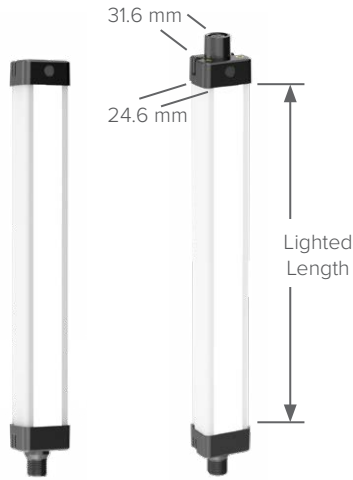
WLS28V Strip Lights

Series	Cascadable	LED Color	Lighted Length (mm)		Window	Construction	Connection
WLS28V	C	W	285		D	S	Q
	C = Cascadable X = Non-cascadable	W = White	145 285 430 570	710 850 990 1130	D = Diffused plastic	S = Sealed	Q = 4-Pin M12 integral QD QD models require mating cordset

Specifications

Non-cascadable Models

Cascadable Models



Lighted Length (mm)	Lumens (Typical @ 25 °C)	Typical Wattage* (Watts)
145	360	3.6
285	725	7.2
430	1090	10.8
570	1450	14.4
710	1810	18
850	2175	21.6
990	2535	25.2
1130	2900	28.8

*Typical operating wattage is measured at 24 V DC



Supply Voltage	24 V DC
Color Temperature	5000 K
Construction	Housing: White polycarbonate End Caps: Black polycarbonate
Operating Conditions	-20 to +50 °C
Environmental Rating	IP65, IP67
Vibration and Mechanical Shock	Vibration 10–55 Hz 1.0 mm p-p amplitude per IEC 60068-2-6 Shock 15G 11 ms duration, half sine wave per IEC 60068-2-27
Certifications	

Accessories

Snap Mount for WLS28V



LMBWLS28VSP
(Included with WLS28V models) Set of three

Top Mount for WLS28



SMBWLS28RA
(included with WLS28 models)

Side Mount for WLS28



SMBWLS28SM

Magnetic Mount for WLS28

Shown with SMBWLS28RA



SMBWLSMAG
SMBWLSMAGR
Protective cover for magnet sold separately



WLS28VPBQ
In-line switch with M12 connectors for use with WLS28V models

4-Pin M12

Straight connector models listed; for right-angle models, add **A** to the end of **M12F4** (example, BC-M12F4A-22-2)



BC-M12F4-22-2
2 m (6.5 ft)
BC-M12F4-22-5
5 m (16.4 ft)
BC-M12F4-22-10
10 m (32.8 ft)

4-Pin M12 Double-Ended

Straight connector models



BC-M12F4-M12M4-22-2
2 m (6.5 ft)
BC-M12F4-M12M4-22-5
5 m (16.4 ft)
BC-M12F4-M12M4-22-10
10 m (32.8 ft)

4-Pin M12 Splitter



CSB-M1241M1241
0.3 m (1 ft) male trunk;
2 x 0.3 m (1 ft) female branches



Banner Engineering Corp.

1-888-373-6767 • www.bannerengineering.com

© 2026 Banner Engineering Corp. Minneapolis, MN USA

PN B_51973066