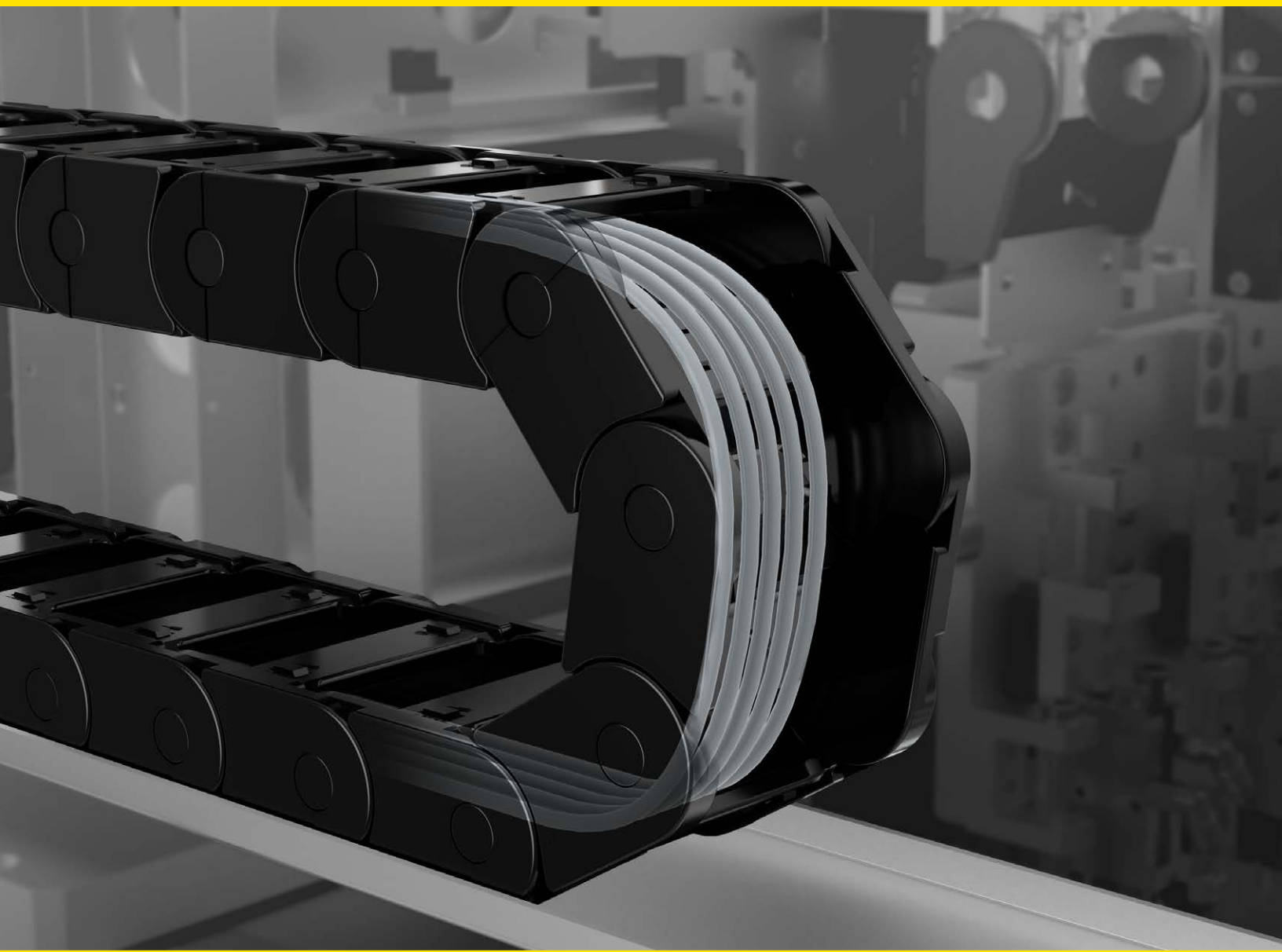


High Flex Cordsets



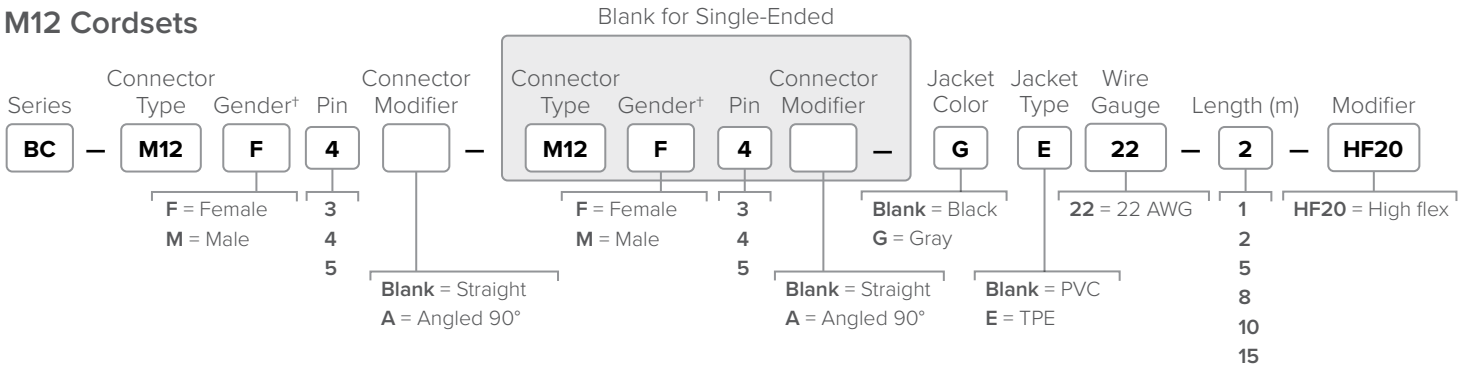
High Flex Cordsets Reliably Deliver 20 Million Bend Cycles

- HighFlex20™ technology delivers warranty-backed 20 million flex cycles* for long, dependable operation in applications with repetitive motion such as robotics, cable track systems, and linear actuators
- Reliable performance in high-motion environments, including repeated bending and twisting
- Vibration-resistant M8 and M12 overmolded connections are fast and simple, reducing installation and maintenance time
- Robust cable jacket resists oils, chemicals, and abrasions, providing reliable, long-lasting protection in many industrial settings

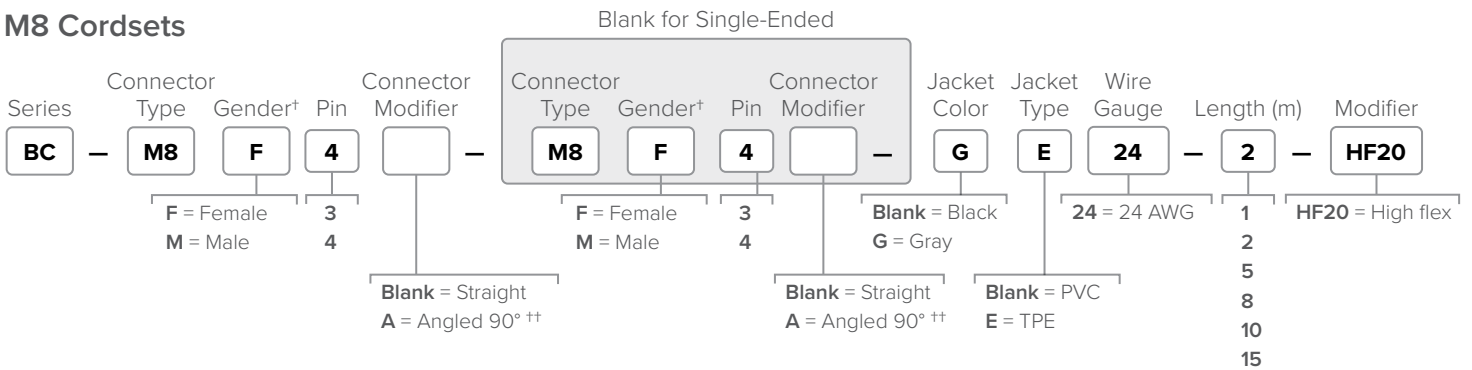


High Flex Cordsets

M12 Cordsets



M8 Cordsets



[†]For female to male double-ended models list female (F) gender first

^{**}Not available with male connectors

Specifications

M12 Cordsets

Maximum Voltage	30 V DC
Maximum Current	4 A
Wire Gauge	22 AWG
Outer Diameter	5.23 mm
Bend Radius	Continuous flex: 10× the outside diameter Fixed mount: 5× the outside diameter
Flex Cycles	20 million
Construction	Coupling nut material: Nickel-plated brass Contact carrier: Black nylon Connector body: Black PUR
Operating Conditions	-40 to +70 °C
Environmental Rating	IP66, IP67, IP68

M8 Cordsets

Maximum Voltage	30 V DC
Maximum Current	4 A
Wire Gauge	24 AWG
Outer Diameter	4.72 mm
Bend Radius	Continuous flex: 10× the outside diameter Fixed mount: 5× the outside diameter
Flex Cycles	20 million
Construction	Coupling nut material: Nickel-plated brass Contact carrier: Black nylon Connector body: Black PUR
Operating Conditions	-40 to +70 °C
Environmental Rating	IP67

*For HighFlex20 warranty information [click here](#)



Banner Engineering Corp.

1-888-373-6767 • www.bannerengineering.com

© 2026 Banner Engineering Corp. Minneapolis, MN USA

PN B_51947504 rev. A