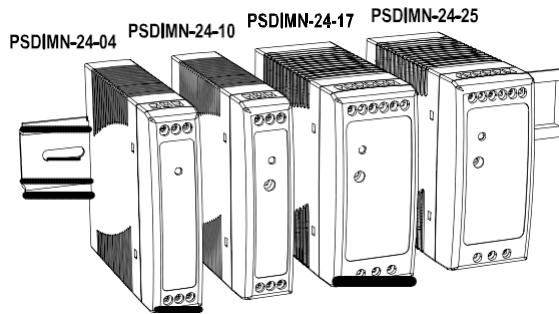


PSDINM and PSB4MK Series Power Supply



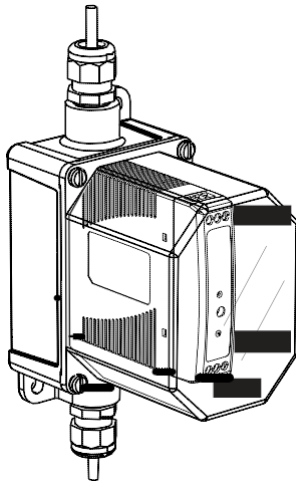
Din Rail Mount 24 Volt Power Supply with Optional Enclosure

For the latest technical information about this product, including specifications, dimensions, and wiring, see www.BannerEngineering.com



- Industry accepted low cost 24 V dc power supply
- Universal input (85–264 V ac) accepts 120–370 V dc (single-phase)
- Protection from short circuit, overloads, and over-voltage
- Can be installed on DIN rail TS-35/7.5 or 15
- NEC class 2/LPS compliant
- LED indicator for power ON and DC OK active signals
- Wide operating temperature range (-20° to +70° C [-4° to +158° F])
- Cooling by free air convection
- Can be used in NEMA-4X applications when used with the BENC4 environmental enclosure

Power Supply with BENC4 Environmental Enclosure



Models

Power Supply Only, DIN Rail Mount	Power Supply with BENC4 Environmental Enclosure	Mean Well Equivalent	Current and Power Rating
PSDINM-24-04	PSB4MK-24-04	MDR-10-24	0.4 A/10 W (24V DC)
PSDINM-24-10	PSB4MK-24-10	MDR-20-24	1.0 A/20 W (24V DC)
PSDINM-24-17	PSB4MK-24-17	MDR-40-24	1.7 A/40 W (24V DC)
PSDINM-24-25	PSB4MK-24-25	MDR-60-24	2.5 A/60 W (24V DC)



NOTE: Only order the PSDINM and PSB4MK model numbers.



WARNING: Not To Be Used for Personnel Protection

Never use this product as a sensing device for personnel protection. Doing so could lead to serious injury or death. This product does NOT include the self-checking redundant circuitry necessary to allow its use in personnel safety applications. A sensor failure or malfunction can cause either an energized or de-energized sensor output condition.



Temperature Considerations

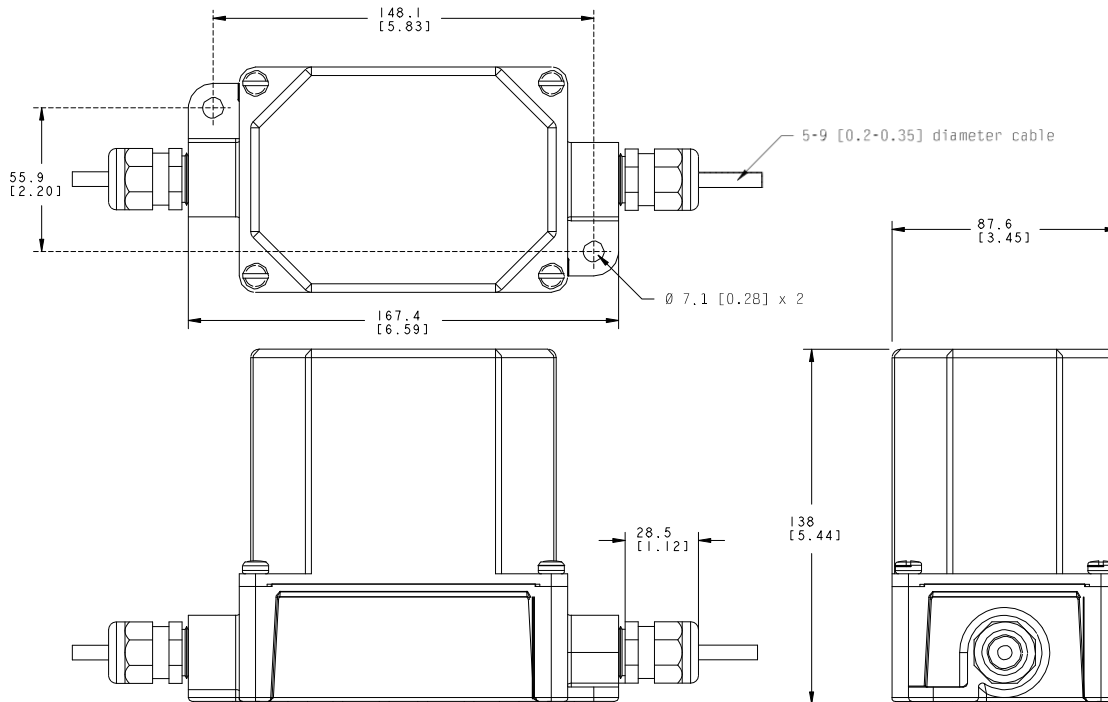
Certain temperature considerations must be made when using the power supply with the BENC4 environmental enclosure. Because the power supply is cooled by free air convection, the temperature within the enclosure will be higher than the outside air temperature. Use the following table when determining the de-rating needed to meet the Mean Well power supply requirements (available on the Mean Well website).

Temperature Rise Above Ambient with BENC4 Environmental Enclosure

Model	50% Load Temperature Rise °C	100% Load Temperature Rise °C
PSB4MK-24-04	4	8
PSB4MK-24-10	7	14
PSB4MK-24-17	10	20
PSB4MK-24-25	15	30

BENC4 Environmental Enclosure Dimensions

All units mm [inch]



Construction

Molded reinforced thermoplastic polyester housing with polycarbonate cover

Parts List

The following accessory components are included with the PSB4MK Series Power Supply.

- 1/2 in NPT cable glands (Qty. 2)
- 35 × 70 mm Din rail (Qty. 1)
- 1/4-20 × 0.75 slotted stainless steel screws (Qty. 4)
- O-ring seal (Qty. 1)
- 8-15 × 5/16 Phillips plated screws (Qty. 2)