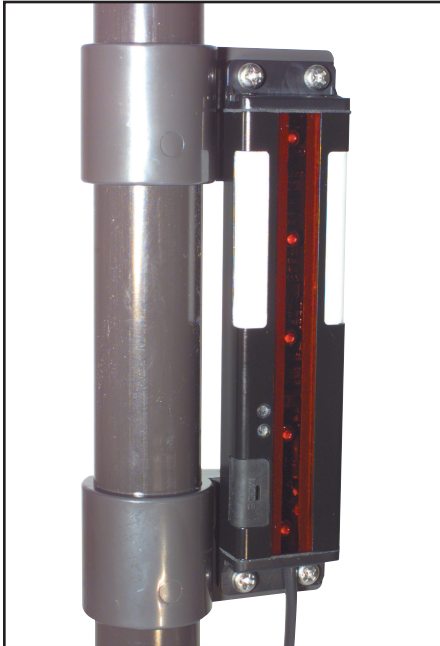


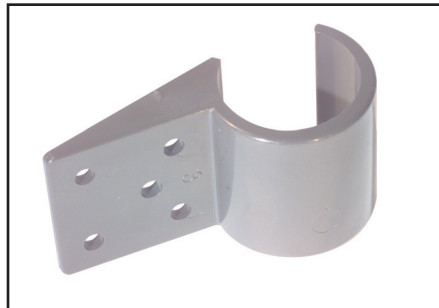
## SMBPVA2 Mounting Bracket Kit

Used for mounting Parts Verification Array sensors to 28 mm diameter pipe systems

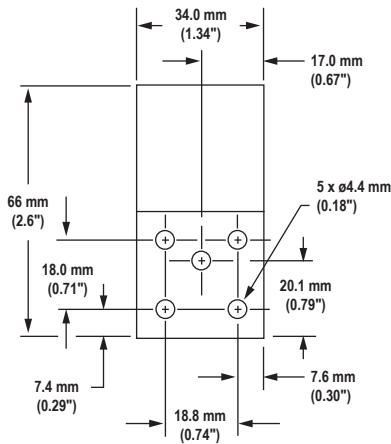


### SMBPVA2 Features

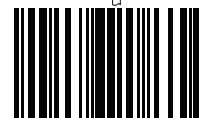
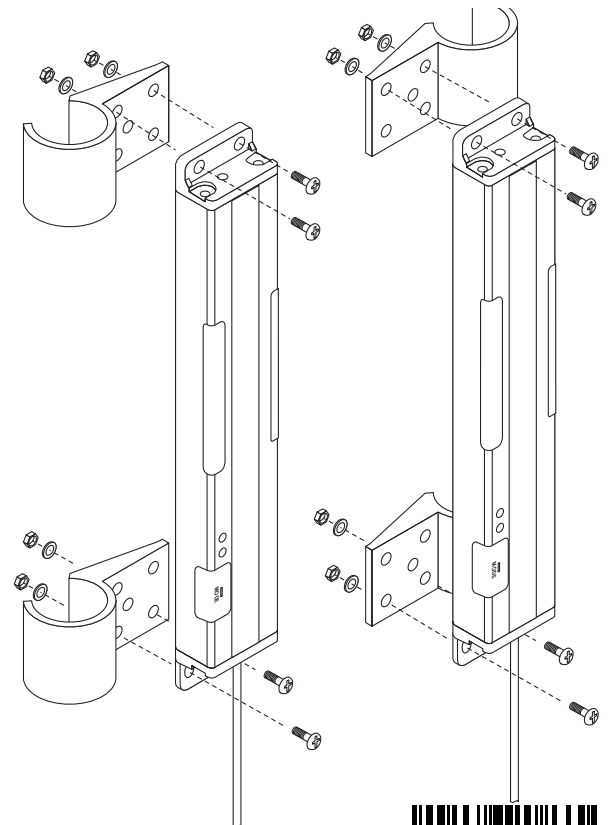
- Includes set of four molded brackets for mounting one pair of PVA (Parts Verification Array) sensors
- Brackets easily snap onto standard 28 mm diameter pipe
- PVA sensors mount to the brackets using the M4 hardware supplied with the sensors



### Mounting Bracket Dimensions



### Mounting Orientations



54752  
P/N 54752L8A