



# TL70B Modular Tower Light Product Manual

Original Instructions

p/n: 233350 Rev. E

27-Jan-26

© Banner Engineering Corp. All rights reserved. [www.bannerengineering.com](http://www.bannerengineering.com)

# Contents

<b>Chapter 1 Features</b> .....	<b>3</b>
Models .....	3
<b>Chapter 2 Assembling the Modules</b> .....	<b>5</b>
<b>Chapter 3 Wiring</b> .....	<b>6</b>
Flash/Pulse Control .....	6
<b>Chapter 4 Specifications</b> .....	<b>7</b>
FCC Part 15 Class B for Unintentional Radiators.....	8
Industry Canada ICES-003(B).....	8
Dimensions .....	8
<b>Chapter 5 Accessories</b> .....	<b>10</b>
Cordsets .....	10
Mounting Brackets.....	11
Elevated Mount System.....	13
LMB Sealed Right Angle Bracket .....	14
Top Replacement Cover .....	15
<b>Chapter 6 Product Support and Maintenance</b> .....	<b>16</b>
Clean with Mild Detergent and Warm Water .....	16
Repairs .....	16
Contact Us.....	16
Banner Engineering Corp Limited Warranty.....	16

Chapter Contents

Models ..... 3

# Chapter 1 Features



Banner's TL70B Tower Light is a 70 mm, modular LED indicator with bright and uniform light. The modularity gives the user flexibility to customize tower lights as needed and change positions in the field. The TL70 is also available preassembled for easy installation.

- Light segments have user-selectable solid ON or flashing
- Up to five indicator segments, or four indicator segments plus audible, in one device
- Rugged, water-resistant IP65 and IP66 housing with UV-stabilized material
- Bright, uniform indicator segments appear gray when off to eliminate false indications from ambient light
- Simple and fast connection with M12 quick-disconnect connector

## Models

*TL70B Base Model Key*

Housing	—	Connection
<b>B-TL70B</b>	—	<b>Q8</b>
TL70B Base		Q5 = Integral 5-pin M12 male quick-disconnect connector Q8 = Integral 8-pin M12 male quick-disconnect connector

*TL70B Segments Model Key*

Housing	—	Color/Alarm
<b>SG-TL70B</b>	—	<b>G</b>
TL70B Segment		G = Green Y = Yellow R = Red B = Blue W = White O = Orange V = Violet A = Standard Audible

Select the 5-pin base for tower light configurations of up to 4 modules. Select the 8-pin base for tower light configurations of up to 5 modules.

- Example base model number: B-TL70B-Q5
- Example light segment model number: SG-TL70B-G
- Example audible segment model number: SG-TL70B-A

*TL70B Pre-Assembled Models*

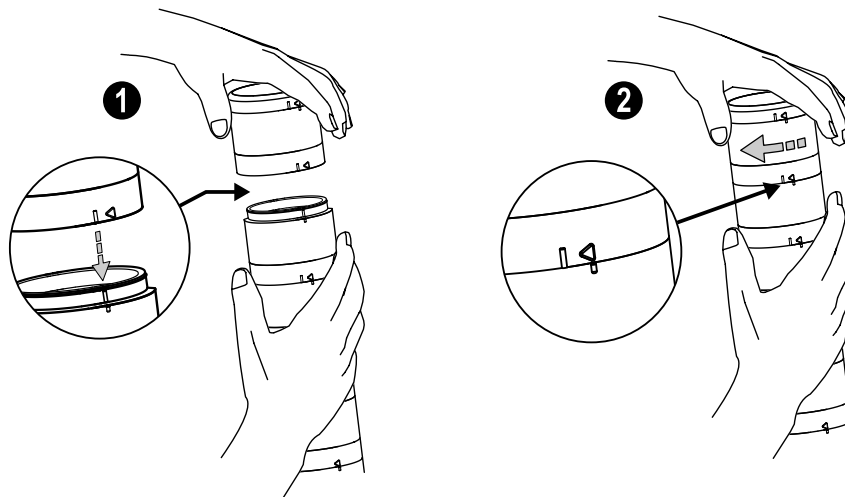
Part Number	Model
814501	TL70B-GYRQ

Continued on page 4

Continued from page 3

Part Number	Model
814502	TL70B-GYRAQ
814503	TL70B-BGYRQ
814504	TL70B-BGYRAQ
814505	TL70B-WBGYRQ

# Chapter 2 Assembling the Modules



**IMPORTANT:**

- Do not assemble or swap segments while the unit is powered on.
- Ensure power is off when assembling or swapping segments.

To assemble the modules:

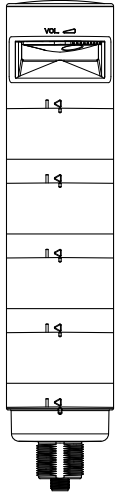
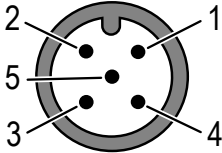
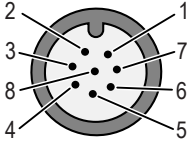
1. Align the notches on each module and press together.
2. Rotate the top module clockwise to lock into place (notches shown in the locked position).

**NOTE:** DIP switches should remain in the default off position.

Chapter Contents


Flash/Pulse Control ..... 6

# Chapter 3 Wiring

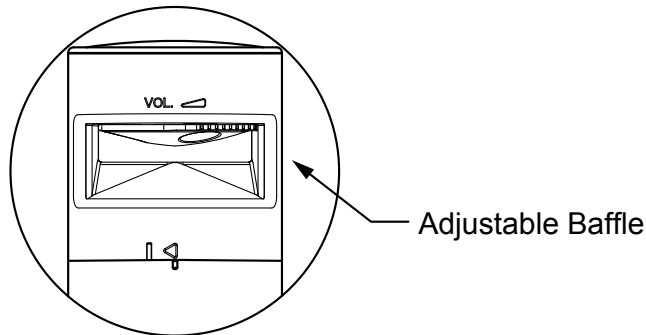
Diagram	5-Pin Pinout	8-Pin Pinout
 <p>Position 5</p> <p>Position 4</p> <p>Position 3</p> <p>Position 2</p> <p>Position 1</p>	 <p>1 = Brown (Position 2)                  2 = White (Position 3)                  3 = Blue (Ground)                  4 = Black (Position 1)                  5 = Gray (Position 4)</p>	 <p>1 = White (Position 3)                  2 = Brown (Position 2)                  3 = Green (Not used)                  4 = Yellow (Position 4)                  5 = Gray (Position 4)                  6 = Pink (Position 1)                  7 = Blue (Ground)                  8 = Red (Not used)</p>

### Flash/Pulse Control

The DIP switch is located in the TL70B base segment. DIP switch numbers 1-5 correlate to Positions 1-5 (see diagram above). DIP switch number 7 sets a global speed for the flashing function. DIP switch numbers 6 and 8 are not used.

Diagram	DIP Switch Number	Function	Light Segment		Audible Segment	
			On	Off	On	Off
	1-5	Toggle Flash ON/OFF	Flash	Steady	Pulse	Continuous
	7	Toggle Flash Speed	1.5 Hz	3 Hz	1.5 Hz	3 Hz

*Adjustable audible baffle - for audible models only*



Chapter Contents

FCC Part 15 Class B for Unintentional Radiators ..... 8  
 Industry Canada ICES-003(B)..... 8  
 Dimensions..... 8

# Chapter 4 Specifications

## Supply Voltage and Current

12 V DC to 30 V DC

Indicator Color or Audible Model	Maximum Current (mA)		
	at 12 V DC	at 24 V DC	at 30 V DC
Blue, White	204	102	82
Red, Orange, Yellow, Green, Violet	141	71	57
Standard Audible	33	17	14

## Supply Protection Circuitry

Protected against transient voltages

## Indicators

1 to 5 colors depending on model (Green, Red, Yellow, Blue, White, Orange, and Violet)

**Flash Rates:** 1.5 Hz ±10% and 3 Hz ±10%

## Indicator Response Time

**Off Response:** 25 µs (maximum) at 12 V DC to 30 V DC

**On Response:** 2 ms (maximum) at 12 V DC to 30 V DC

## Connections

Integral 5-pin M12 male quick-disconnect connector, integral 8-pin M12 male quick-disconnect connector

## Operating Conditions

-40 °C to +50 °C (-40 °F to +122 °F)

95% at +50 °C maximum relative humidity (non-condensing)

## Environmental Rating

IP65, IP66

## Audible Alarm

2.7 kHz ± 250 Hz oscillation frequency; maximum intensity (typical) 104 dB at 1 m (3.3 ft)

## Audible Adjustment

Rotate the audible baffle until the desired volume is reached

**Typical Reduction in Sound Intensity with Audible Adjustment (maximum to minimum):** 13 dB

## Construction

**Bases, Segments, Covers:** polycarbonate

## Vibration and Mechanical Shock


Vibration: 10 Hz to 55 Hz, 0.5 mm peak-to-peak amplitude per IEC 60068-2-6

Shock: 15G 11 ms duration, half sine wave per IEC 60068-2-27

## Indicator Characteristics

Color	Dominant Wavelength (nm) or Color Temperature (CCT)	Color Coordinates <sup>(1)</sup>		Lumen Output (Typical at 25 °C)
		x	y	
Green	525 nm	-	-	67
Red	625 nm	-	-	24
Yellow	590 nm	-	-	55
Blue	475 nm	-	-	25
White	5000 K	-	-	107
Orange	605 nm	-	-	29
Violet	-	0.214	0.133	28

## Required Overcurrent Protection



**WARNING:** Electrical connections must be made by qualified personnel in accordance with local and national electrical codes and regulations.

Overcurrent protection is required to be provided by end product application per the supplied table.


Overcurrent protection may be provided with external fusing or via Current Limiting, Class 2 Power Supply.


Supply wiring leads < 24 AWG shall not be spliced.

For additional product support, go to [www.bannerengineering.com](http://www.bannerengineering.com).

Supply Wiring (AWG)	Required Overcurrent Protection (A)	Supply Wiring (AWG)	Required Overcurrent Protection (A)
20	5.0	26	1.0
22	3.0	28	0.8
24	2.0	30	0.5

## Certifications

 Banner Engineering BV  
 Park Lane, Culliganlaan 2F bus 3  
 1831 Diegem, BELGIUM

 Turck Banner LTD Blenheim House  
 Blenheim Court  
 Wickford, Essex SS11 8YT  
 GREAT BRITAIN

 LISTED

<sup>(1)</sup> Refer to CIE 1931 chromaticity diagram or color chart, to show equivalent color with indicated color coordinates.

## FCC Part 15 Class B for Unintentional Radiators

(Part 15.105(b)) This equipment has been tested and found to comply with the limits for a Class B digital device, pursuant to part 15 of the FCC Rules. These limits are designed to provide reasonable protection against harmful interference in a residential installation. This equipment generates, uses, and can radiate radio frequency energy and, if not installed and used in accordance with the instructions, may cause harmful interference to radio communications. However, there is no guarantee that interference will not occur in a particular installation. If this equipment does cause harmful interference to radio or television reception, which can be determined by turning the equipment off and on, the user is encouraged to try to correct the interference by one or more of the following measures:

- Reorient or relocate the receiving antenna.
- Increase the separation between the equipment and receiver.
- Connect the equipment into an outlet on a circuit different from that to which the receiver is connected.
- Consult the dealer or an experienced radio/TV technician for help.

(Part 15.21) Any changes or modifications not expressly approved by the party responsible for compliance could void the user's authority to operate this equipment.

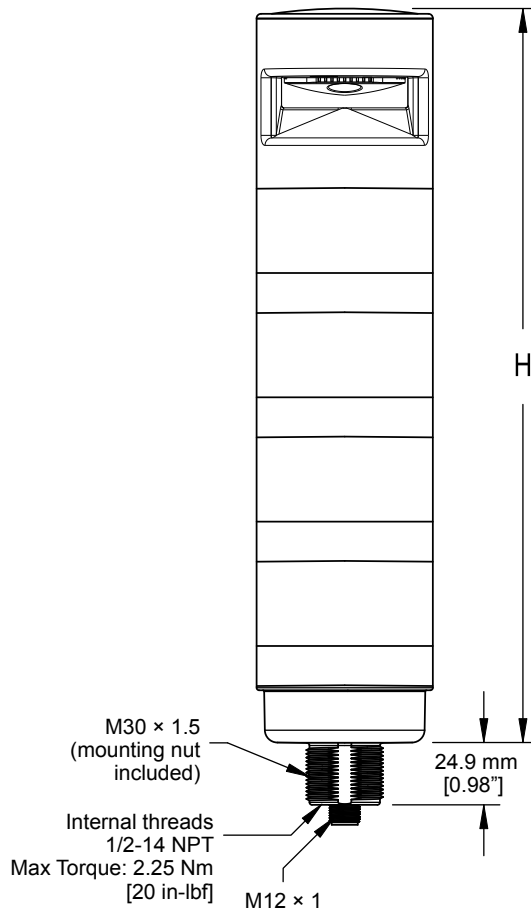
## Industry Canada ICES-003(B)

This device complies with CAN ICES-3 (B)/NMB-3(B). Operation is subject to the following two conditions: 1) This device may not cause harmful interference; and 2) This device must accept any interference received, including interference that may cause undesired operation.

Cet appareil est conforme à la norme NMB-3(B). Le fonctionnement est soumis aux deux conditions suivantes : (1) ce dispositif ne peut pas occasionner d'interférences, et (2) il doit tolérer toute interférence, y compris celles susceptibles de provoquer un fonctionnement non souhaité du dispositif.

## Dimensions

All measurements are listed in millimeters [inches], unless noted otherwise. The measurements provided are subject to change.



Model	Height (H)
1 light module	87.6 mm (3.45 in)

Continued on page 9

Continued from page 8

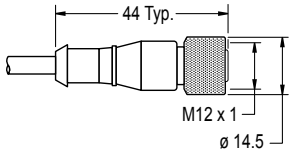
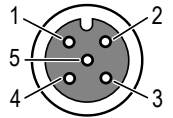

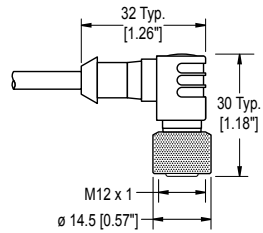
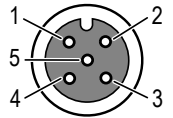

Model	Height (H)
1 light module, 1 audible module	144.3 mm (5.68 in)
2 light modules	137.3 mm (5.41 in)
2 light modules, 1 audible module	194 mm (7.64 in)
3 light modules	187 mm (7.36 in)
3 light modules, 1 audible module	243.7 mm (9.59 in)
4 light modules	236.7 mm (9.32 in)
4 light modules, 1 audible module	293.4 mm (11.55 in)
5 light modules	286.4 mm (11.28 in)

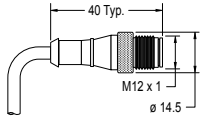
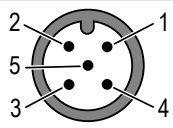
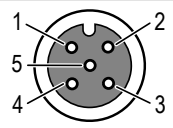
Chapter Contents

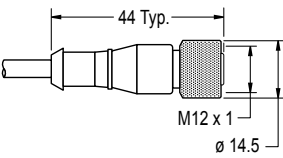
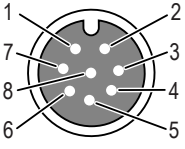
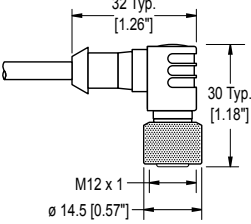
Cordsets ..... 10  
 Mounting Brackets..... 11  
 Elevated Mount System ..... 13  
 LMB Sealed Right Angle Bracket ..... 14  
 Top Replacement Cover ..... 15

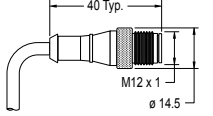
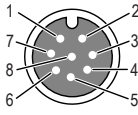
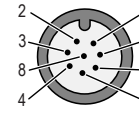
# Chapter 5 Accessories

## Cordsets

5-Pin Single-Ended M12 Female Cordsets				
Model	Length	Style	Dimensions	Pinout (Female)
MQDC1-501.5	0.5 m (1.5 ft)	Straight		 <p>1 = Brown                  2 = White                  3 = Blue                  4 = Black                  5 = Gray</p> 
MQDC1-503	0.9 m (2.9 ft)			
MQDC1-506	2 m (6.5 ft)			
MQDC1-515	5 m (16.4 ft)			
MQDC1-530	9 m (29.5 ft)			
MQDC1-560	18 m (59 ft)			
MQDC1-5100	31 m (101.7 ft)	Right-Angle		 <p>1 = Brown                  2 = White                  3 = Blue                  4 = Black                  5 = Gray</p> 
MQDC1-506RA	2 m (6.5 ft)			
MQDC1-515RA	5 m (16.4 ft)			
MQDC1-530RA	9 m (29.5 ft)			
MQDC1-560RA	19 m (62.3 ft)			

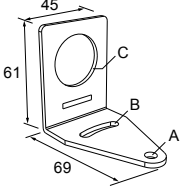
5-Pin Double-Ended M12 Female to M12 Male Cordsets					
Model	Length	Style	Dimensions	Pinout (Male)	Pinout (Female)
MQDEC-501SS	0.31 m (1.02 ft)	Male Straight/Female Straight		 <p>1 = Brown                  2 = White                  3 = Blue</p>	 <p>4 = Black                  5 = Gray</p>
MQDEC-503SS	0.91 m (2.99 ft)				
MQDEC-506SS	1.83 m (6 ft)				
MQDEC-512SS	3.66 m (12 ft)				
MQDEC-515SS	5 m (16.4 ft)				
MQDEC-530SS	9 m (29.5 ft)				
MQDEC-550SS	15 m (49.2 ft)				

8-Pin Single-Ended M12 Female Cordsets				
Model	Length	Style	Dimension	Pinout (Female)
MQDC1-803	1 m (3.2 ft)	Straight		
MQDC1-806	2 m (6.5 ft)			
MQDC1-815	5 m (16.4 ft)			
MQDC1-830	9 m (29.5 ft)			
MQDC1-850	15 m (49.2 ft)			
MQDC1-806RA	2 m (6.5 ft)	Right-Angle		<p>1 = White 2 = Brown 3 = Green 4 = Yellow</p> <p>5 = Gray 6 = Pink 7 = Blue 8 = Red</p>
MQDC1-815RA	5 m (16.4 ft)			
MQDC1-830RA	9 m (29.5 ft)			
MQDC1-850RA	15 m (49.2 ft)			

8-Pin Double-Ended M12 Female to M12 Male Cordsets				
Model	Length	Style	Dimensions	Pinout
MQDEC1-803SS	1 m (3.28 ft)	Male Straight / Female Straight		<p>1 = White 2 = Brown 3 = Green 4 = Yellow 5 = Gray 6 = Pink 7 = Blue 8 = Red</p>
MQDEC1-806SS	2 m (6.56 ft)			
MQDEC1-810SS	3 m (9.84 ft)			
MQDEC1-815SS	5 m (16.4 ft)			
MQDEC1-830SS	9 m (29.5 ft)			
MQDEC1-850SS	15 m (49.2 ft)			
MQDEC1-8100SS	30.5 m (100 ft)			
MQDEC1-8200SS	61 m (200 ft)			
		<p><b>Female</b></p> 	<p><b>Male</b></p> 	

## Mounting Brackets

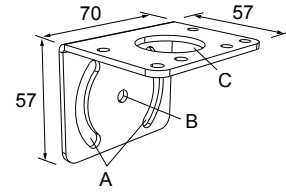
All measurements are listed in millimeters, unless noted otherwise. The measurements provided are subject to change.

<p><b>SMB30A</b></p> <ul style="list-style-type: none"> <li>• Right-angle bracket with curved slot for versatile orientation</li> <li>• Clearance for M6 (¼ in) hardware</li> <li>• Mounting hole for 30 mm sensor</li> <li>• 12-gauge stainless steel</li> <li>• CAD Files: <a href="#">DXF</a>, <a href="#">PDF</a>, <a href="#">IGS</a>, <a href="#">STP</a></li> </ul> <p><b>Hole center spacing:</b> A to B=40 <b>Hole size:</b> A=ø 6.3, B= 27.1 × 6.3, C=ø 30.5</p>	
--	---

**SMB30MM**

- 12-gauge stainless steel bracket with curved mounting slots for versatile orientation
- Clearance for M6 (¼ in) hardware
- Mounting hole for 30 mm sensor
- CAD Files: [DXF](#), [PDF](#), [IGS](#), [STP](#)

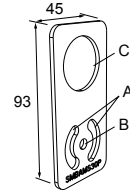
**Hole center spacing:** A=51, A to B=25.4  
**Hole size:** A=42.6 × 7, B=∅ 6.4, C=∅ 30.1



**SMBAMS30P**

- Flat SMBAMS series bracket
- 30 mm hole for mounting sensors
- Articulation slots for 90°+ rotation
- 12-gauge 300 series stainless steel
- CAD Files: [DXF](#), [PDF](#), [IGS](#), [STP](#)

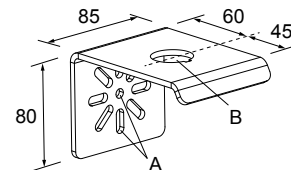
**Hole center spacing:** A=26.0, A to B=13.0  
**Hole size:** A=26.8 × 7.0, B=∅ 6.5, C=∅ 31.0



**SSA-MBK-EEC1**

- Single 30 mm hole
- 8 gauge steel, black finish (powder coat)
- Front surface for customer-applied labels
- CAD Files: [DXF](#), [PDF](#), [IGS](#), [STP](#)

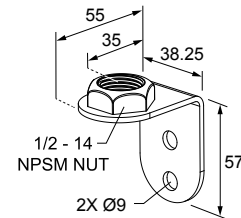
**Hole size:** A = ∅ 7 , B = ∅ 30



**LMBE12RA35**

- Direct mounting of stand-off pipe, with common bracket type
- Zinc-plated steel
- 1/2-14 NPSM nut
- Mounting distance from the wall to the center of the 1/2-14 NPSM nut is 35 mm
- CAD Files: [DXF](#), [PDF](#), [IGS](#), [STP](#)

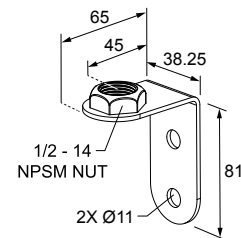
**Hole center spacing:** 20.0



**LMBE12RA45**

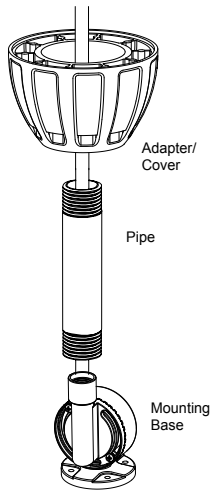
- Direct mounting of stand-off pipe, with common bracket type
- Zinc-plated steel
- 1/2-14 NPSM nut
- Mounting distance from the wall to the center of the 1/2-14 NPSM nut is 45 mm
- CAD Files: [DXF](#), [PDF](#), [IGS](#), [STP](#)

**Hole center spacing:** 35.0



# Elevated Mount System

Example Assembly for a TL70 Tower Light



This example uses:

1. Adapter/Cover (SA-M30 shown)
2. Pipe
3. Mounting Base (SA-FFB12 shown)

Other compatible parts are listed in the following tables.

## Adapters/Covers

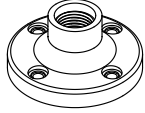
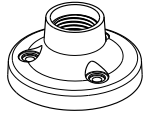
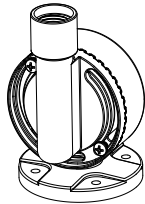
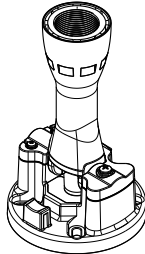
Adapter/Cover Model	Description	
SA-M30 - Black polycarbonate	<ul style="list-style-type: none"> <li>• Streamlined black PC or Gray PC thread cover</li> <li>• Covers the outer M30 threads on the light's base</li> <li>• Typically used for the TL70 Tower Light and K90 series</li> <li>• Mounting hardware included</li> <li>• CAD files: <a href="#">DXF</a>, <a href="#">PDF</a>, <a href="#">IGS</a>, <a href="#">STP</a></li> </ul>	
SA-M30C - Gray polycarbonate		

## Pipes



Black Anodized Aluminum, ½ in. NPT Pipe Models	Clear Anodized Aluminum, ½ in. NPT Pipe Models	Description
SOP-E12-150A, 150 mm (6 in) long	SOP-E12-150AC, 150 mm (6 in) long	<ul style="list-style-type: none"> <li>• Elevated-use stand-off pipe</li> <li>• Threaded at both ends</li> <li>• Compatible with most industrial environments</li> <li>• CAD Files:                             <ul style="list-style-type: none"> <li>◦ SOP-E12-150A: <a href="#">DXF</a>, <a href="#">PDF</a>, <a href="#">IGS</a>, <a href="#">STP</a></li> <li>◦ SOP-E12-300A: <a href="#">DXF</a>, <a href="#">PDF</a>, <a href="#">IGS</a>, <a href="#">STP</a></li> <li>◦ SOP-E12-600A: <a href="#">DXF</a>, <a href="#">PDF</a>, <a href="#">IGS</a>, <a href="#">STP</a></li> <li>◦ SOP-E12-900A: <a href="#">DXF</a>, <a href="#">PDF</a>, <a href="#">IGS</a>, <a href="#">STP</a></li> </ul> </li> </ul>
SOP-E12-300A, 300 mm (12 in) long	SOP-E12-300AC, 300 mm (12 in) long	
SOP-E12-600A, 600 mm (24 in) long	-	
SOP-E12-900A, 900 mm (36 in) long	SOP-E12-900AC, 900 mm (36 in) long	

## Bottom Covers and Mounting Bases

Mounting Base Model	Description	
SA-E12M30 - Black acetal	<ul style="list-style-type: none"> <li>• Streamlined black acetal or white UHMW mounting base adapter/cover</li> <li>• Adapter from ½ in. NPSM/DN15 pipe to 30 mm (1-3/16 in) drilled hole</li> <li>• Mounting hardware included</li> <li>• CAD files: <a href="#">DXF</a>, <a href="#">PDF</a>, <a href="#">IGS</a>, <a href="#">STP</a></li> </ul>	
SA-E12M30C - White UHMW		

Mounting Base Model	Description	
SA-F12	<ul style="list-style-type: none"> <li>Die-cast zinc base with black paint</li> <li>Elevated-use stand-off pipes (½ in, NPSM/DN15)</li> <li>M5 mounting hardware and nitrile gasket included</li> <li>CAD files: <a href="#">DXF</a>, <a href="#">PDF</a>, <a href="#">IGS</a>, <a href="#">STP</a></li> </ul>	
SA-F12-3	<ul style="list-style-type: none"> <li>Black polycarbonate</li> <li>Elevated-use stand-off pipes (½ in, NPSM/DN15)</li> <li>M4 mounting hardware and nitrile blend gasket included</li> <li>CAD files: <a href="#">DXF</a>, <a href="#">PDF</a>, <a href="#">IGS</a>, <a href="#">STP</a></li> </ul>	
Mounting Base Model	Description	
SA-FFB12 - Black polycarbonate	<ul style="list-style-type: none"> <li>For use with ½ in. stand-off pipes</li> <li>110° rotation</li> <li>Stainless steel hardware</li> <li>CAD files: <a href="#">DXF</a>, <a href="#">PDF</a>, <a href="#">IGS</a>, <a href="#">STP</a></li> </ul>	
SA-FFB12C - Gray polycarbonate		
Mounting Base Model	Description	
SOKTL150R4	<ul style="list-style-type: none"> <li>Black polycarbonate</li> <li>Foldable stand model with upright and 90° folding states</li> <li>Elevated-use stand-off pipes (½ in, NPSM/DN15)</li> <li>Mounting hardware included</li> <li>CAD files: <a href="#">DXF</a>, <a href="#">PDF</a>, <a href="#">IGS</a>, <a href="#">STP</a></li> </ul>	

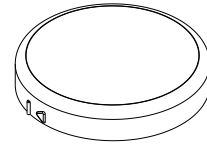
## LMB Sealed Right Angle Bracket

Model	Description	Construction	
<b>LMB30RA</b> CAD Files: <a href="#">DXF</a> , <a href="#">PDF</a> , <a href="#">IGS</a> , <a href="#">STP</a>	<b>Direct-Mount Models:</b> Bracket kit with base, 30 mm adapter, set screw, fasteners, O-rings, and gaskets.	Black polycarbonate	
<b>LMBE12RA</b> CAD Files: <a href="#">DXF</a> , <a href="#">PDF</a> , <a href="#">IGS</a> , <a href="#">STP</a>	<b>Pipe-Mount Models:</b> Bracket kit with base, ½-14 pipe adapter, set screw, fasteners, O-rings, and gaskets. For use with stand-off pipe (listed and sold separately).	Black polycarbonate	

## Top Replacement Cover

### C-TL70 Replacement Top Cover

- Black polycarbonate housing
- Fits TL70 tower lights
- IP65 rated
- CAD Files: [DXF](#), [PDF](#), [IGS](#), [STP](#)



Chapter Contents

Clean with Mild Detergent and Warm Water ..... 16  
Repairs ..... 16  
Contact Us ..... 16  
Banner Engineering Corp Limited Warranty ..... 16

# Chapter 6 Product Support and Maintenance

## Clean with Mild Detergent and Warm Water

Wipe down the device with a soft cloth dampened with a mild detergent and warm water solution. Do not use any other chemicals for cleaning.

## Repairs

Contact Banner Engineering for troubleshooting of this device. **Do not attempt any repairs to this Banner device; it contains no field-replaceable parts or components.** If the device, device part, or device component is determined to be defective by a Banner Applications Engineer, they will advise you of Banner's RMA (Return Merchandise Authorization) procedure.

**IMPORTANT:** If instructed to return the device, pack it with care. Damage that occurs in return shipping is not covered by warranty.

## Contact Us

Banner Engineering Corp. | 9714 Tenth Avenue North | Plymouth, MN 55441, USA | Phone: + 1 888 373 6767

For worldwide locations and local representatives, visit [www.bannerengineering.com](http://www.bannerengineering.com).

## Banner Engineering Corp Limited Warranty

Banner Engineering Corp. warrants its products to be free from defects in material and workmanship for one year following the date of shipment. Banner Engineering Corp. will repair or replace, free of charge, any product of its manufacture which, at the time it is returned to the factory, is found to have been defective during the warranty period. This warranty does not cover damage or liability for misuse, abuse, or the improper application or installation of the Banner product.

**THIS LIMITED WARRANTY IS EXCLUSIVE AND IN LIEU OF ALL OTHER WARRANTIES WHETHER EXPRESS OR IMPLIED (INCLUDING, WITHOUT LIMITATION, ANY WARRANTY OF MERCHANTABILITY OR FITNESS FOR A PARTICULAR PURPOSE), AND WHETHER ARISING UNDER COURSE OF PERFORMANCE, COURSE OF DEALING OR TRADE USAGE.**

This Warranty is exclusive and limited to repair or, at the discretion of Banner Engineering Corp., replacement. **IN NO EVENT SHALL BANNER ENGINEERING CORP. BE LIABLE TO BUYER OR ANY OTHER PERSON OR ENTITY FOR ANY EXTRA COSTS, EXPENSES, LOSSES, LOSS OF PROFITS, OR ANY INCIDENTAL, CONSEQUENTIAL OR SPECIAL DAMAGES RESULTING FROM ANY PRODUCT DEFECT OR FROM THE USE OR INABILITY TO USE THE PRODUCT, WHETHER ARISING IN CONTRACT OR WARRANTY, STATUTE, TORT, STRICT LIABILITY, NEGLIGENCE, OR OTHERWISE.**

Banner Engineering Corp. reserves the right to change, modify or improve the design of the product without assuming any obligations or liabilities relating to any product previously manufactured by Banner Engineering Corp. Any misuse, abuse, or improper application or installation of this product or use of the product for personal protection applications when the product is identified as not intended for such purposes will void the product warranty. Any modifications to this product without prior express approval by Banner Engineering Corp will void the product warranties. All specifications published in this document are subject to change; Banner reserves the right to modify product specifications or update documentation at any time. Specifications and product information in English supersede that which is provided in any other language. For the most recent version of any documentation, refer to: [www.bannerengineering.com](http://www.bannerengineering.com).

For patent information, see [www.bannerengineering.com/patents](http://www.bannerengineering.com/patents).

