

QM42 Features



The differential pressure sensor offers accurate low-differential pressure measurement of air and non-condensing, non-corrosive gases in applications such as air filter monitoring, isolation and clean rooms, building pressurization and dust collectors.

- Silicon piezoresistive differential pressure core
- Aluminum alloy housing
- Senses up to ± 1 inches of water column using the **QM42-DPS1-2Q** model
- Senses up to ± 5 inches of water column using the **QM42-DPS5-2Q** model
- Senses up to ± 20 inches of water column using the **QM42-DPS20-2Q** model
- RS-485 Modbus serial communication

QM42-DPSx-2Q Models

Model	Description	Interface	Connection
QM42-DPS1-2Q	Differential Pressure Sensor ± 1 in. w.c. and 10 ft of tubing	RS-485 Modbus	2.09 m (6.9 ft) cable with a 5-pin M12 quick disconnect (QD) connector
QM42-DPS5-2Q	Differential Pressure Sensor ± 5 in. w.c. and 10 ft of tubing		
QM42-DPS20-2Q	Differential Pressure Sensor ± 20 in. w.c. and 10 ft of tubing		

Wiring

This sensor is designed for use as a Modbus server. This sensor can be plugged into any Modbus RS-485 network, compatible MultiHop Data Radio, or DXMR90 Series Controller. Flying lead models use the listed wire colors and sensor connections.

Wiring

5-pin M12 Male Connector	Pin	Wire Color	Sensor Connection
	1	brown (bn)	Power IN (+): 10 to 30 V DC
	2	white (wh)	RS485 / D1 / B / +
	3	blue (bu)	Ground (-)
	4	black (bk)	RS485 / D0 / A / -
	5	gray (gr)	Not Used

QM42-DPS1-2Q Holding Registers

Holding registers for the QM42-DPS1-2Q model

Modbus Register	Output	I/O Range		Holding Register Representation		Measured Results
		Minimum	Maximum	Minimum (Decimal)	Maximum (Decimal)	
1	Pressure (Inches of Water)	-1	1	-1000	1000	Register value \div 1000
2	Pressure (PSI)	-0.036	0.036	-36	36	Register value \div 1000
3	Temperature (F)	-40	221	-4000	22100	Register value \div 100
4	Temperature (C)	-40	105	-4000	10500	Register value \div 100
5	Pressure (Pa)	-248	248	-248	248	Register value
1201	Pressure Sample Interval	0	65000	0	65000	
1202	Temperature Sample Interval	0	65000	0	65000	
6101	Baud	0=9.6k, 1=19.2k (default), 2=38.4k				
6102	Parity	0=none (default), 1=odd, 2=even				
6103	Modbus Server Address	1 (default) through 247				



Holding registers for the QM42-DPS5-2Q model

Modbus Register	Output	I/O Range		Holding Register Representation		Measured Results
		Minimum	Maximum	Minimum (Decimal)	Maximum (Decimal)	
1	Pressure (Inches of Water)	-5	5	-5000	5000	Register value ÷ 1000
2	Pressure (PSI)	-0.180	0.180	-180	180	Register value ÷ 1000
3	Temperature (F)	-40	221	-4000	22100	Register value ÷ 100
4	Temperature (C)	-40	105	-4000	10500	Register value ÷ 100
5	Pressure (Pa)	-1244	1244	-1244	1244	Register value
1201	Pressure Sample Interval	0	65000	0	65000	
1202	Temperature Sample Interval	0	65000	0	65000	
6101	Baud	0=9.6k, 1=19.2k (default), 2=38.4k				
6102	Parity	0=none (default), 1=odd, 2=even				
6103	Modbus Server Address	1 (default) through 247				

Holding registers for the QM42-DPS20-2Q model

Modbus Register	Output	I/O Range		Holding Register Representation		Measured Results
		Minimum	Maximum	Minimum (Decimal)	Maximum (Decimal)	
1	Pressure (Inches of Water)	-20	20	-20000	20000	Register value ÷ 1000
2	Pressure (PSI)	-0.722	0.722	-722	722	Register value ÷ 1000
3	Temperature (F)	-40	221	-4000	22100	Register value ÷ 100
4	Temperature (C)	-40	105	-4000	10500	Register value ÷ 100
5	Pressure (Pa)	-4977	4977	-4977	4977	Register value
1201	Pressure Sample Interval	0	65000	0	65000	
1202	Temperature Sample Interval	0	65000	0	65000	
6101	Baud	0=9.6k, 1=19.2k (default), 2=38.4k				
6102	Parity	0=none (default), 1=odd, 2=even				
6103	Modbus Server Address	1 (default) through 247				

The default pressure and temperature sample intervals are 5 seconds (holding register value of 80). The holding register values increment the sample rate in intervals of 62.5 ms.

Installing the Pressure Sensor

The pressure sensor can be mounted to any surface using fasteners sized for the 1/8-inch (3.2 mm) diameter through-holes on the base of the unit. The optional **BWA-BK-001** bracket may be used for mounting to a magnetic surface.

The supplied tubing has an 1/8 inch inner diameter and is intended to fit the barbed fittings on the high (+) and low (-) pressure ports. Cut the tubing to the length required, but for the best results, keep the tubing as short as possible. Install the high (+) side to the upstream or high-line pressure and install the low (-) side to downstream or low-line pressure.

Differential Pressure Sensor Specifications

Supply Voltage

10 V DC to 30 V DC

Current Consumption

< 3 mA

Pressure Range

QM42-DPS1-2Q: ±1 inches water column (wc)

QM42-DPS5-2Q: ±5 inches water column (wc)

QM42-DPS20-2Q: ±20 inches water column (wc)

Output

RS-485 Serial

Accuracy

0.2% full scale

Proof and Burst Pressure

QM42-DPS1-2Q: Proof Pressure: 100× Maximum Operating Pressure

QM42-DPS1-2Q: Burst Pressure: 300× Maximum Operating Pressure

QM42-DPS5-2Q: Proof Pressure: 40× Maximum Operating Pressure

QM42-DPS5-2Q: Burst Pressure: 60× Maximum Operating Pressure

QM42-DPS20-2Q: Proof Pressure: 10× Maximum Operating Pressure

QM42-DPS20-2Q: Burst Pressure: 25× Maximum Operating Pressure

Stability

≤ 0.2% full scale per year

Communication Hardware

Interface: RS-485 Serial
 Baud rates: 9.6k, 19.2k (default), or 38.4k
 Data format: 8 data bits, no parity (default, 1 stop bit)
 Active Communications Current: 2.95 mA at 30 V DC
 Protocol: RS-485 Modbus RTU

Pressure Interface

Dual barbed ports

Temperature

Compensated: -20 °C to +85 °C (-4 °F to +185 °F)
 Operating: -25 °C to +85 °C (-13 °F to +185 °F)

Indicators

Green flashing: Power ON
 Amber flashing: Serial Tx

Measuring Media

Gaseous

Electrical Connection

Conduit fitting with cable

Included PVC Tubing

Inner diameter: 0.125 in
 Outer diameter: 0.25 in
 Length: 10 ft

Connection

2.09 m (6.9 ft) cable with a 5-pin M12 male quick disconnect

Construction

Black anodized aluminum alloy

Zero/Span Offset Tolerance

Zero temperature drift
 ± 0.5% full scale per °C
 Humidity Limits (non-condensing) 0 to 95% RH

Environmental Rating

IP67

Certifications



Banner Engineering BV
 Park Lane, Culliganlaan 2F bus 3
 1831 Diegem, BELGIUM

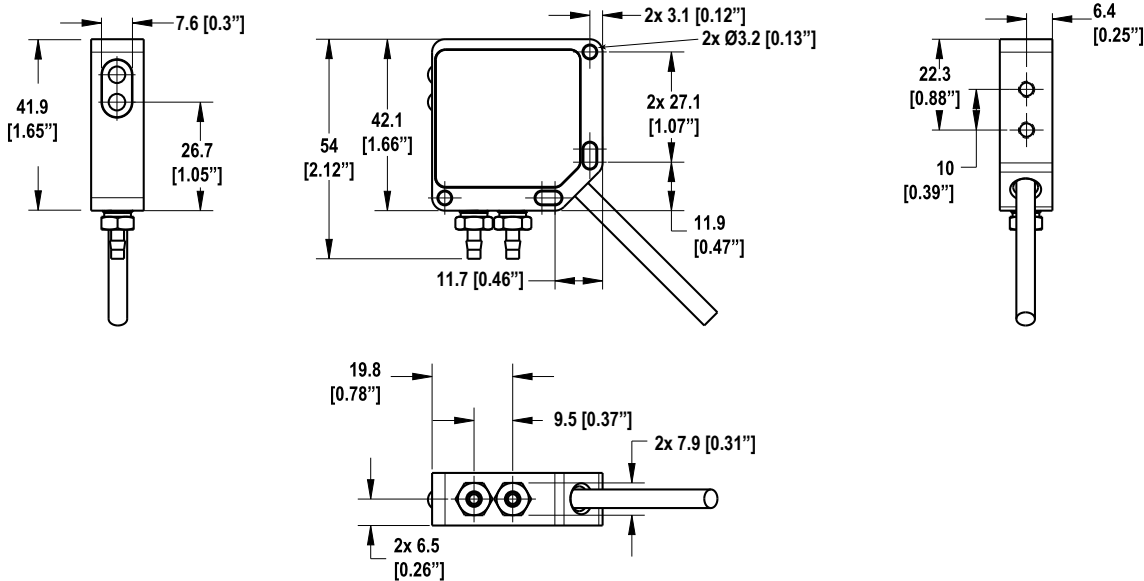


Turck Banner LTD Blenheim House
 Blenheim Court
 Wickford, Essex SS11 8YT
 GREAT BRITAIN

Dimensions

All measurements are listed in millimeters [inches], unless noted otherwise.

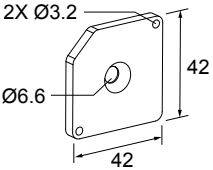
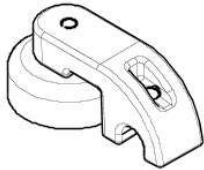
Dimensions



QM42-DPS Accessories

Bracket BWA-BK-005 is included with the QM42-DPSx-2Q sensor.

<p>BWA-BK-001</p> <ul style="list-style-type: none"> Includes magnetic mounting bracket SMB42FLM12 and 2 mounting screws 	
---	--

<p>BWA-BK-005</p> <ul style="list-style-type: none"> • Use when measuring high-frequency vibrations or when mounting the sensor to curved surfaces • Includes SMB42FLAT stainless steel bracket, 1/4"-28 screw mount, and one piece of 3M™ thermally conductive adhesive transfer tape 	
<p>BWA-M12CAB-MAG</p> <ul style="list-style-type: none"> • Magnetic bracket to manage Banner M12 cables • 34 mm x 19 mm overall 	

Banner Engineering Corp Limited Warranty

Banner Engineering Corp. warrants its products to be free from defects in material and workmanship for one year following the date of shipment. Banner Engineering Corp. will repair or replace, free of charge, any product of its manufacture which, at the time it is returned to the factory, is found to have been defective during the warranty period. This warranty does not cover damage or liability for misuse, abuse, or the improper application or installation of the Banner product.

THIS LIMITED WARRANTY IS EXCLUSIVE AND IN LIEU OF ALL OTHER WARRANTIES WHETHER EXPRESS OR IMPLIED (INCLUDING, WITHOUT LIMITATION, ANY WARRANTY OF MERCHANTABILITY OR FITNESS FOR A PARTICULAR PURPOSE), AND WHETHER ARISING UNDER COURSE OF PERFORMANCE, COURSE OF DEALING OR TRADE USAGE.

This Warranty is exclusive and limited to repair or, at the discretion of Banner Engineering Corp., replacement. **IN NO EVENT SHALL BANNER ENGINEERING CORP. BE LIABLE TO BUYER OR ANY OTHER PERSON OR ENTITY FOR ANY EXTRA COSTS, EXPENSES, LOSSES, LOSS OF PROFITS, OR ANY INCIDENTAL, CONSEQUENTIAL OR SPECIAL DAMAGES RESULTING FROM ANY PRODUCT DEFECT OR FROM THE USE OR INABILITY TO USE THE PRODUCT, WHETHER ARISING IN CONTRACT OR WARRANTY, STATUTE, TORT, STRICT LIABILITY, NEGLIGENCE, OR OTHERWISE.**

Banner Engineering Corp. reserves the right to change, modify or improve the design of the product without assuming any obligations or liabilities relating to any product previously manufactured by Banner Engineering Corp. Any misuse, abuse, or improper application or installation of this product or use of the product for personal protection applications when the product is identified as not intended for such purposes will void the product warranty. Any modifications to this product without prior express approval by Banner Engineering Corp will void the product warranties. All specifications published in this document are subject to change; Banner reserves the right to modify product specifications or update documentation at any time. Specifications and product information in English supersede that which is provided in any other language. For the most recent version of any documentation, refer to: www.bannerengineering.com.

For patent information, see www.bannerengineering.com/patents.

Document title: QM42-DPSx-2Q Differential Pressure Sensor Datasheet
 Part number: 226764
 Revision: C
 Original Instructions
 © Banner Engineering Corp. All rights reserved.

