

WLB72 LED Strip Lights

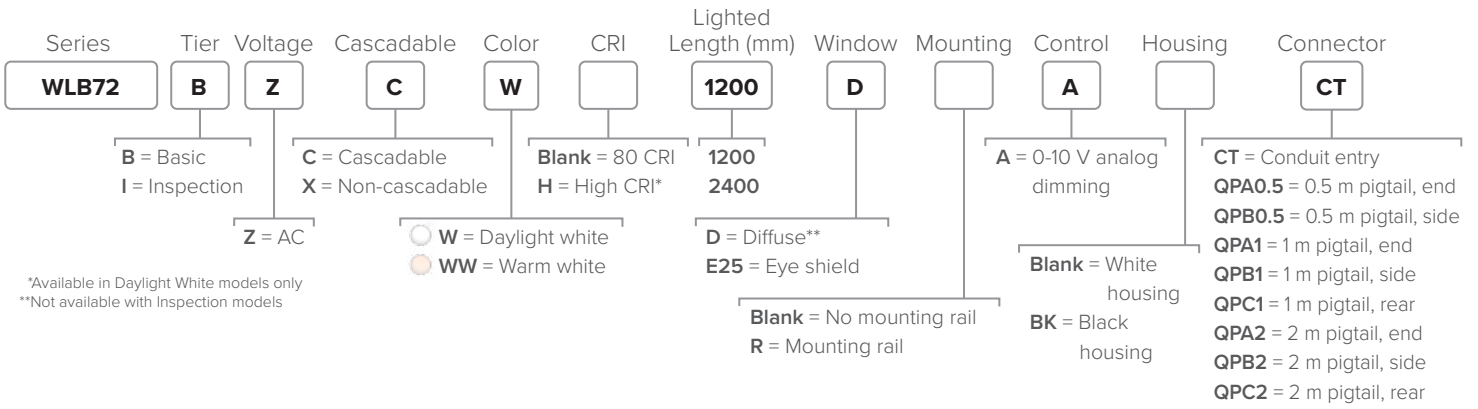


Industrial LED Strip Light

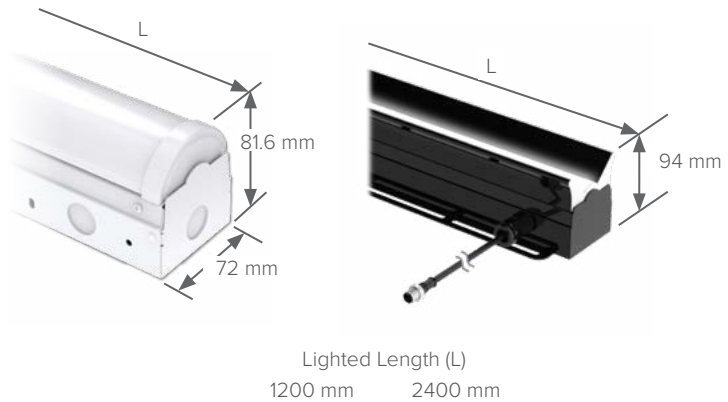
- Features a low total cost of ownership (TCO) and provides years of reliable, maintenance-free operation—with no bulb or ballast changes required throughout the entire lifespan of the device
- Eye shield window option for superior glare control and “zebra striping” effect for inspection applications
- Durable metal housing and shatter-resistant window
- Models with Quick Disconnect (QD) connectors provide trouble-free installation
- Energy-efficient with an output up to 130 lumens per watt
- 0-10 V dimming so users can control light levels to their preferred brightness

BANNER[®]
more sensors, more solutions

WLB72 Strip Light Models



Specifications



Supply Voltage	120 to 277 V AC
Lumens	Diffuse: 6800–1300 Eye Shield: 3800–7600
Construction	Housing: Galvanized steel with corrosion resistant polyester powder coat Window: Polycarbonate End caps: Polycarbonate
Operating Conditions	-40 to +50 °C
Environmental Rating	IP20
Certifications	

Accessories



LMBWLB72F
surface mount



LMBWLB72RAS
angular adjustment



LMBWLB72HKHV
adjustable-length hanging kit



LMBWLB72HK
suspended



LCS10
four zone control



3-Pin Power Cordset
Male straight connector to female straight connector

BCP-MAF3-MAM3-14-1M
1 m (3')
BCP-MAF3-MAM3-14-2M
2 m (6.5')
BCP-MAF3-MAM3-14-5M
5 m (15')
BCP-MAF3-MAM3-14-10M
10 m (33')



4-Pin Double-Ended
Male straight connector to female straight connector

MQDEC-403SS
0.91 m (3')
MQDEC-406SS
2 m (6.5')
MQDEC-415SS
4.5 m (15')
MQDEC-430SS
9 m (30')



Banner Engineering Corp.

9714 10th Avenue North • Minneapolis, MN 55441 • 1-888-373-6767 • www.bannerengineering.com