

## Modifications

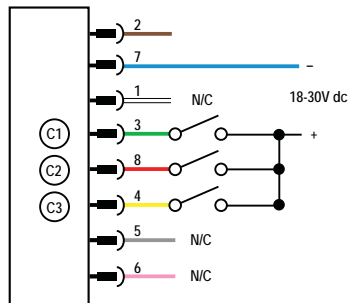
- Custom intensity. Colors: Green, Red, Yellow.
- Derived from model K50LGRY2PQ, p/n 75669.
- For further information see standard literature: 121902.
- This product has been modified from the standard product, for further information, contact the Applications Department at (763) 544-3164.

Approximate intensities; Green: 135 cd/m<sup>2</sup>, Red: 135 cd/m<sup>2</sup>, Yellow: 135 cd/m<sup>2</sup>.

Current; approx. 20 mA @ 24V dc.

## Wiring Diagram

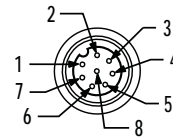
### PNP (Sourcing) Output Models



### Wiring Key

- 1 = White
- 2 = Brown
- 3 = Green
- 4 = Yellow
- 5 = Gray
- 6 = Pink
- 7 = Blue
- 8 = Red

### Pinout



For further information, contact the Applications Engineering Department at (763) 544-3164.

### **⚠ WARNING . . . Not To Be Used for Personnel Protection**

Never use these products as sensing devices for personnel protection. Doing so could lead to serious injury or death.

These sensors do NOT include the self-checking redundant circuitry necessary to allow their use in personnel safety applications. A sensor failure or malfunction can cause either an energized or de-energized sensor output condition. Consult your current Banner Safety Products catalog for safety products which meet OSHA, ANSI and IEC standards for personnel protection.