

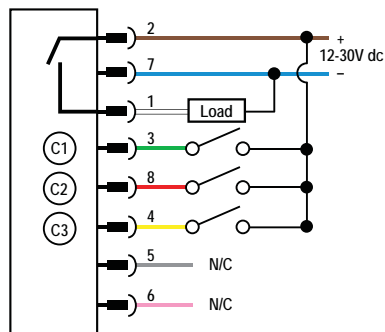


Modifications

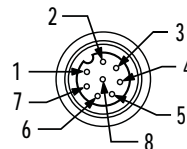
- Custom intensity. Colors: Green, Red, Yellow.
- Derived from model K50APT2GRYF2PQ, p/n 96764.
- For further information see standard literature: 189830.
- This product has been modified from the standard product, for further information, contact the Applications Department at (763) 544-3164.

Approximate intensities; Green: 135 cd/m², Red: 135 cd/m², Yellow: 135 cd/m².
Avg. Current: Green; 33 mA @ 24V dc, Red; 36 mA @ 24V dc, Yellow; 33 mA @ 24V dc,

PNP (Sourcing) Output Models



- 1 = White
- 2 = Brown
- 3 = Green
- 4 = Yellow
- 5 = Gray
- 6 = Pink
- 7 = Blue
- 8 = Red



For further information, contact the Applications Engineering Department at (763) 544-3164.

⚠ WARNING . . . Not To Be Used for Personnel Protection

Never use these products as sensing devices for personnel protection. Doing so could lead to serious injury or death.

These sensors do NOT include the self-checking redundant circuitry necessary to allow their use in personnel safety applications. A sensor failure or malfunction can cause either an energized or de-energized sensor output condition. Consult your current Banner Safety Products catalog for safety products which meet OSHA, ANSI and IEC standards for personnel protection.