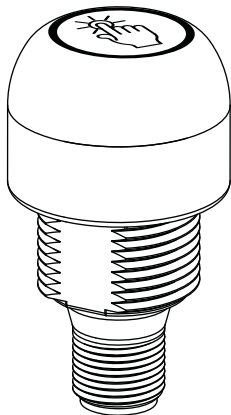


## Modifications

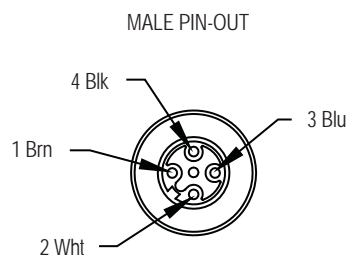
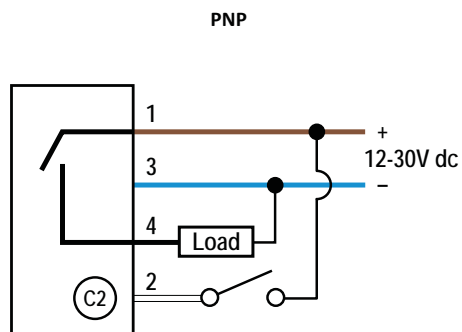


- Custom intensity. Color: Blue.
- Derived from model K30APT2XBQ, p/n 801697.
- For further information see standard literature: 189825.
- This product has been modified from the standard product, for further information, contact the Applications Department at (763) 544-3164.

Approximate intensity; Blue: 135 cd/m<sup>2</sup>

Avg. Current; (Touch not activated): 20 mA @ 24V dc.

(Touch activated): 30 mA @ 24V dc.



**⚠ WARNING . . . Not To Be Used for Personnel Protection**

Never use these products as sensing devices for personnel protection. Doing so could lead to serious injury or death.

These sensors do NOT include the self-checking redundant circuitry necessary to allow their use in personnel safety applications. A sensor failure or malfunction can cause either an energized or de-energized sensor output condition. Consult your current Banner Safety Products catalog for safety products which meet OSHA, ANSI and IEC standards for personnel protection.