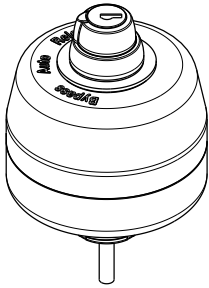


K80 Key Switch



Datasheet



- Red illuminated key switch
- Single and dual output options
- Multifunction with laser marking
 - Bypass: Counterclockwise position
 - Auto: Center position
 - Release: Clockwise position

Models

Family	Output State	Outputs	Construction	Connector
K80	A - Normally Open	K2 - Single Outputs (Bypass and Release)	3825 - Allen-Bradley #3825	QP - 1 meter (39 in) cable with a 4-pin M12/Euro-style male quick disconnect (QD)
	R - Normally Closed	K3 - Dual Outputs (1 for Bypass, 1 for Release)		

Model Examples:

- K80AK23825QP - Single Output with an Allen-Bradley #3825 Key
- K80AK33825QP - Dual Output with an Allen-Bradley #3825 Key

Logic

Function	Key Switch Direction	Key Switch Action	Illumination
Bypass	Counterclockwise	Maintained	Red On
Release	Clockwise	Momentary, Spring Return to Center	

Wiring

The K80 Key Switch is I/O block compatible.

Pin	Single Output Function	Dual Output Function	4-pin M12/Euro-style Male
1 (brown)	+ V dc	+ V dc	
2 (white)	Not Connected	PNP Output 2 (Release)	
3 (blue)	0 V dc	0 V dc	
4 (black)	PNP Output 1 (Bypass and Release)	PNP Output 1 (Bypass)	

Specifications

Supply Voltage and Current

12 V dc to 30 V dc
65 mA at 24 V dc

Output

Maximum Load: 4 A

Environmental Rating

IEC IP40

Construction

Polycarbonate/Polyamide; M30 × 1.5 external threads on the threaded base

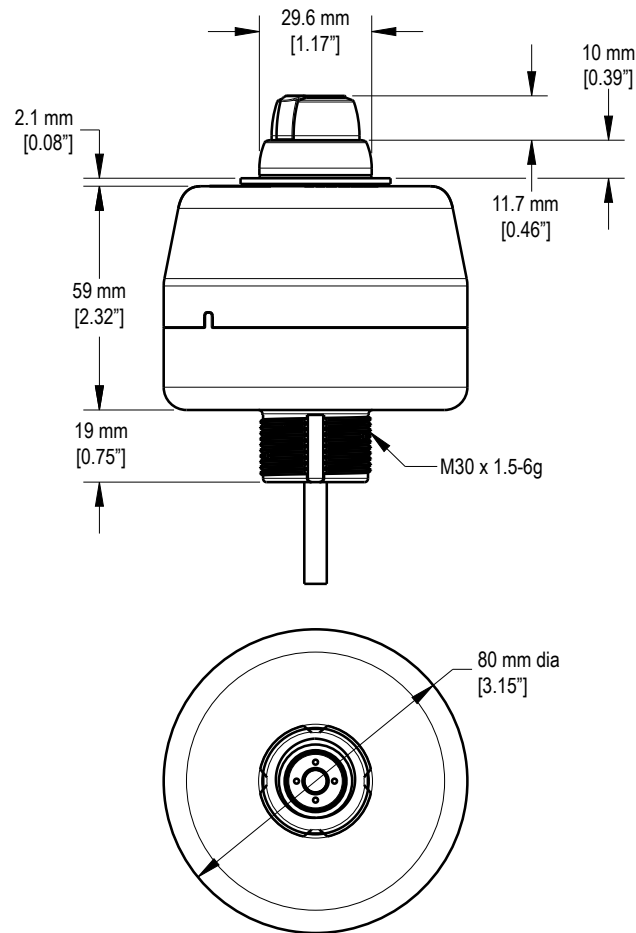
LED Color

Red, 618 nm



Dimensions

All measurements are listed in millimeters [inches], unless noted otherwise.



Banner Engineering Corp. Limited Warranty

Banner Engineering Corp. warrants its products to be free from defects in material and workmanship for one year following the date of shipment. Banner Engineering Corp. will repair or replace, free of charge, any product of its manufacture which, at the time it is returned to the factory, is found to have been defective during the warranty period. This warranty does not cover damage or liability for misuse, abuse, or the improper application or installation of the Banner product.

THIS LIMITED WARRANTY IS EXCLUSIVE AND IN LIEU OF ALL OTHER WARRANTIES WHETHER EXPRESS OR IMPLIED (INCLUDING, WITHOUT LIMITATION, ANY WARRANTY OF MERCHANTABILITY OR FITNESS FOR A PARTICULAR PURPOSE), AND WHETHER ARISING UNDER COURSE OF PERFORMANCE, COURSE OF DEALING OR TRADE USAGE.

This Warranty is exclusive and limited to repair or, at the discretion of Banner Engineering Corp., replacement. IN NO EVENT SHALL BANNER ENGINEERING CORP. BE LIABLE TO BUYER OR ANY OTHER PERSON OR ENTITY FOR ANY EXTRA COSTS, EXPENSES, LOSSES, LOSS OF PROFITS, OR ANY INCIDENTAL, CONSEQUENTIAL OR SPECIAL DAMAGES RESULTING FROM ANY PRODUCT DEFECT OR FROM THE USE OR INABILITY TO USE THE PRODUCT, WHETHER ARISING IN CONTRACT OR WARRANTY, STATUTE, TORT, STRICT LIABILITY, NEGLIGENCE, OR OTHERWISE.

Banner Engineering Corp. reserves the right to change, modify or improve the design of the product without assuming any obligations or liabilities relating to any product previously manufactured by Banner Engineering Corp. Any misuse, abuse, or improper application or installation of this product or use of the product for personal protection applications when the product is identified as not intended for such purposes will void the product warranty. Any modifications to this product without prior express approval by Banner Engineering Corp will void the product warranties. All specifications published in this document are subject to change: Banner reserves the right to modify product specifications or update documentation at any time. Specifications and product information in English supersede that which is provided in any other language. For the most recent version of any documentation, refer to: www.bannerengineering.com.