

EZ-SCREEN® Grid and EZ-SCREEN® Point Addendum

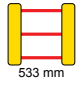
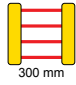
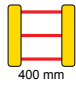
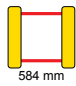
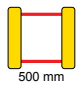


The following is an addendum for the EZ-SCREEN Grid and EZ-SCREEN Point systems with 8 pin Euro QDs installed. Please see p/n 68410 *EZ-SCREEN Grid Instruction Manual* and p/n 68413 *EZ-SCREEN Point Instruction Manual*, available at www.bannerengineering.com, for additional information.

Additional Models

All models listed have an 8-pin Euro QD connection.

EZ-SCREEN Grid System Models

Protected Height	Beam Spacing	Range	Models			Housing Length (L)
			Emitter ¹	Receiver ²	Pair	
1066 mm (42 in)		0.8 to 20 m (2.6 to 65.6 ft)	SGE3-533Q8E	SGR3-533Q8E	SGP3-533Q88E	1251 mm (42.3 in)
		15 to 70 m (49.2 to 229.7 ft)	SGXLE3-533Q8E		SGXLP3-533Q88E	
900 mm (35.4 in)		0.8 to 20 m (2.6 to 65.6 ft)	SGE4-300Q8E	SGR4-300Q8E	SGP4-300Q88E	1084 mm (42.7 in)
		15 to 70 m (49.2 to 229.7 ft)	SGXLE4-300Q8E		SGXLP4-300Q88E	
800 mm (31.5 in)		0.8 to 20 m (2.6 to 65.6 ft)	SGE3-400Q8E	SGR3-400Q8E	SGP3-400Q88E	984 mm (38.7 in)
		15 to 70 m (49.2 to 229.7 ft)	SGXLE3-400Q8E		SGXLP3-400Q88E	
584 mm (23 in)		0.8 to 20 m (2.6 to 65.6 ft)	SGE2-584Q8E	SGR2-584Q8E	SGP2-584Q88E	768 mm
		15 to 70 m (49.2 to 229.7 ft)	SGXLE2-584Q8E		SGXLP2-584Q88E	
500 mm (19.7 in)		0.8 to 20 m (2.6 to 65.6 ft)	SGE2-500Q8E	SGR2-500Q8E	SGP2-500Q88E	684 mm (30.2 in)
		15 to 70 m (49.2 to 229.7 ft)	SGXLE2-500Q8E		SGXLP2-500Q88E	




NOTE: The EZ-SCREEN Point System Models are listed on the next page.

¹ An emitter with the "Q8E" suffix has an 8 pin Euro connector but only the 3 power pins are connected (24 VDC, 0 VDC, Gnd). The test input is jumpered internally.

² A receiver with the "Q8E" suffix has all 8 pins connected as shown in [Cordsets](#) on page 4.



EZ-SCREEN Point System Models

Protected Height	Beam Spacing	Range	Models			Housing Length (L)
			Emitter ³	Receiver ⁴	Pair	
N/A		0.8 to 20 m (2.6 to 65.6 ft)	SPE1Q8E	SPR1Q8E	SPP1Q88E	149 mm (5.9 in)
		15 to 70 m (49.2 to 229.7 ft)	SPXLE1Q8E		SPXLP1Q88E	

Generic Wiring Hookups

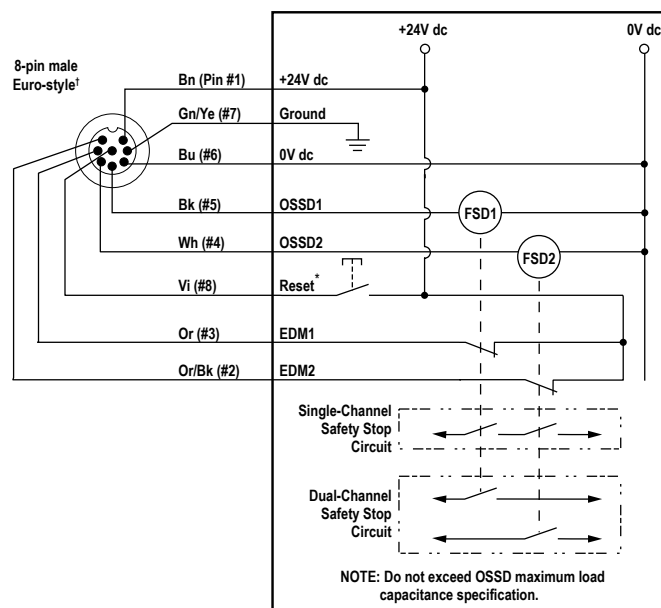


Figure 1. FSDs (2-channel EDM, manual reset)

³ An emitter with the "Q8E" suffix has an 8 pin Euro connector but only the 3 power pins are connected (24 VDC, 0 VDC, Gnd). The test input is jumpered internally.

⁴ A receiver with the "Q8E" suffix has all 8 pins connected as shown in [Cordsets](#) on page 4.

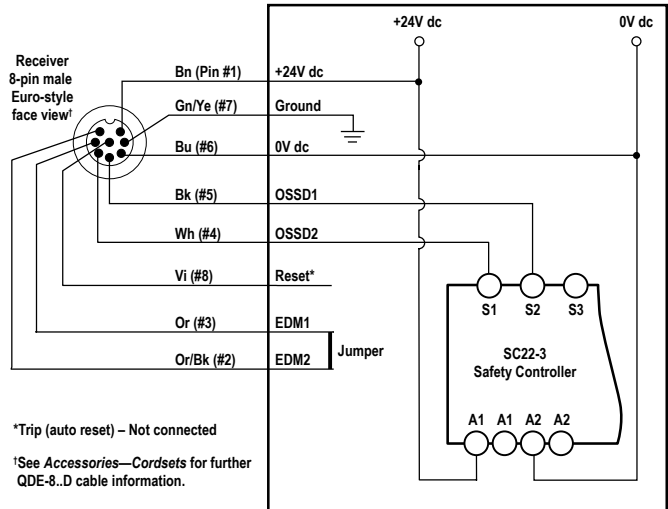
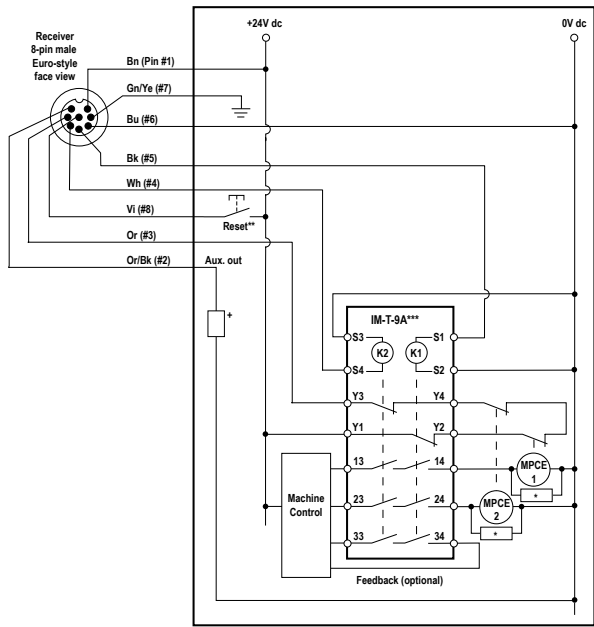
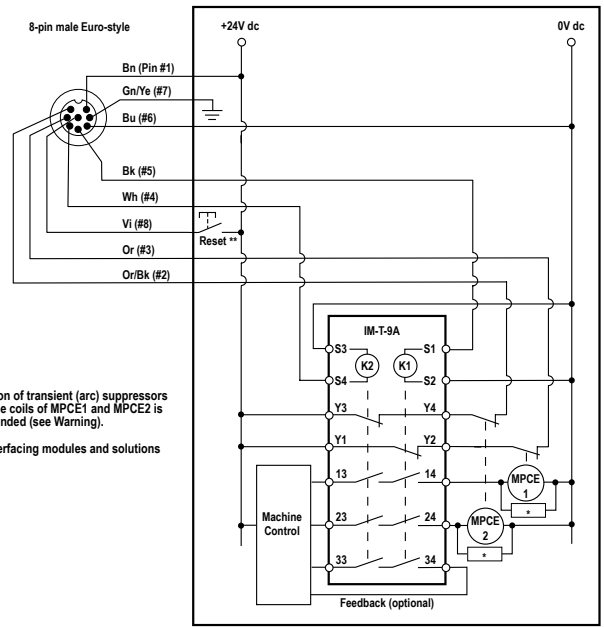


Figure 2. Self-checking safety module, safety controller, safety PLC (no monitoring, automatic reset)



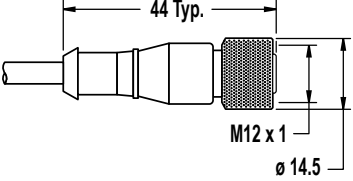
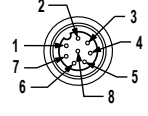
1-Channel EDM



2-Channel EDM

Figure 3. Interface module

Cordsets

8-Pin Threaded M12/Euro-Style Cordsets				
Model	Length	Style	Dimensions	Pinout
QDE-815D	4.57 m (15 ft)	Straight		
QDE-825D	7.62 m (25 ft)			
QDE-850D	15.2 m (50 ft)			
QDE-875D	22.9 m (75 ft)			
QDE-8100D	30.5 m (100 ft)			
				1 = Brown 5 = Black 2 = Or/Bl 6 = Blue 3 = Orange 7 = Gn/Ye 4 = White 8 = Violet

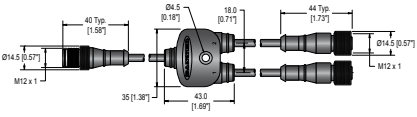
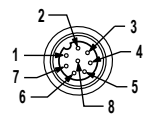
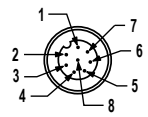
The color code of the Banner Euro cable is the same as the Banner mini cable in the EZ-SCREEN Grid and EZ-SCREEN Point manuals; the wiring diagrams are interchangeable.

The Euro QD wiring is the same as the 14/30 mm EZ-SCREEN System. The wiring diagrams in p/n 122852 can also be used to wire the EZ-SCREEN Grid and EZ-SCREEN Point systems with the 8-pin Euro Quick Disconnect.

Splitter Cordset

Model CSB splitter cordsets allow easy interconnection between an EZ-SCREEN 8-pin receiver and its 8-pin emitter, providing a single "homerun" cable for the option "swapable" hookup. The model DEE2R-.. double-ended cables may be used to extend the lengths of the QD trunk, branch #1, or branch #2. Branch #1 and branch #2 cable sections are 300 mm (1 in) long.

Model QDE-8..D single ended cables may be used to extend the QD trunk for cut-to-length applications.

8-Pin Threaded M12/Euro-Style Splitter Cordsets—Flat Junction					
Model	Trunk (Male)	Branches (Female)	Dimensions	Pinout	
CSB-M1280M1280	No trunk	No branches		Female 	
CSB-M1281M1281	0.3 m (1 ft)	2 x 0.3 m (1 ft)			Male 
CSB-M1288M1281	2.44 m (8 ft)				
CSB-M12815M1281	4.57 m (15 ft)				
CSB-M12825M1281	7.62 m (25 ft)				
CSB-UNT825M1281 ⁵	7.62 m (25 ft) Unterminated			1 = Brown 5 = Black 2 = Or/Bk 6 = Blue 3 = Orange 7 = Gn/Ye 4 = White 8 = Violet	

⁵ Standard cordsets are yellow PVC with black overmold. For black PVC and overmold, add suffix B to model number (example, CSB-M1280M1280B).

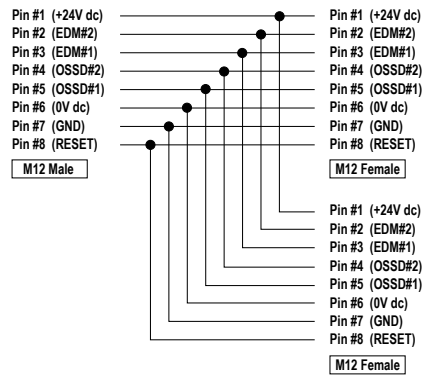


Figure 4. Additional Pinout Information for Model CSB-M12.. Cables

8-Pin Threaded M12/Euro-Style Cordsets—Double Ended						
Model ⁶			Length	Style	Dimensions	DEE8-..D Pinout
8-pin/8-pin	8-pin/4-pin ⁷	8-pin/5-pin ⁸				
DEE2R-81D	DEE8-41D	DEE8-51D	0.3 m (1 ft)	Female Straight/ Male Straight		
DEE2R-83D	-	-	0.91 m (3 ft)			
DEE2R-88D	DEE8-48D	DEE8-58D	2.44 m (8 ft)			
DEE2R-815D	DEE8-415D	DEE8-515D	4.57 m (15 ft)			
DEE2R-825D	DEE8-425D	DEE8-525D	7.62 m (25 ft)			
DEE2R-850D	-	-	15.2 m (50 ft)			
DEE2R-875D	-	-	22.9 m (75 ft)			
DEE2R-8100D	-	-	30.5 m (100 ft)			

Banner Engineering Corp Limited Warranty

Banner Engineering Corp. warrants its products to be free from defects in material and workmanship for one year following the date of shipment. Banner Engineering Corp. will repair or replace, free of charge, any product of its manufacture which, at the time it is returned to the factory, is found to have been defective during the warranty period. This warranty does not cover damage or liability for misuse, abuse, or the improper application or installation of the Banner product.

THIS LIMITED WARRANTY IS EXCLUSIVE AND IN LIEU OF ALL OTHER WARRANTIES WHETHER EXPRESS OR IMPLIED (INCLUDING, WITHOUT LIMITATION, ANY WARRANTY OF MERCHANTABILITY OR FITNESS FOR A PARTICULAR PURPOSE), AND WHETHER ARISING UNDER COURSE OF PERFORMANCE, COURSE OF DEALING OR TRADE USAGE.

This Warranty is exclusive and limited to repair or, at the discretion of Banner Engineering Corp., replacement. **IN NO EVENT SHALL BANNER ENGINEERING CORP. BE LIABLE TO BUYER OR ANY OTHER PERSON OR ENTITY FOR ANY EXTRA COSTS, EXPENSES, LOSSES, LOSS OF PROFITS, OR ANY INCIDENTAL, CONSEQUENTIAL OR SPECIAL DAMAGES RESULTING FROM ANY PRODUCT DEFECT OR FROM THE USE OR INABILITY TO USE THE PRODUCT, WHETHER ARISING IN CONTRACT OR WARRANTY, STATUTE, TORT, STRICT LIABILITY, NEGLIGENCE, OR OTHERWISE.**

Banner Engineering Corp. reserves the right to change, modify or improve the design of the product without assuming any obligations or liabilities relating to any product previously manufactured by Banner Engineering Corp.

⁶ Standard cordsets are yellow PVC with black overmold. For black PVC and overmold, add suffix "B" to model number (example, DEE2R-81DB)

⁷ For connection to safety BUS gateway/node, a "smart" self-monitored safety module, safety controller or safety PLC. DEE8-4..D do not have the pin 5 GND/chassis connection. GND/chassis connection should be made via the mounting hardware.

⁸ For connection to safety BUS gateway/node, a "smart" self-monitored safety module, safety controller or safety PLC.