

The models named above are now available standard with sliding switches to select between 230V ac input power and 115V ac input power. These models are identical to the models discussed in the Primary Instruction manuals (MICRO-SCREEN Instruction Manual 58764 and MINI-SCREEN Instruction Manuals 61409 and 64723), with the exception of this sliding switch (its appearance and function).

The information contained in this supplement replaces the associated information in the primary manuals. **It is very important to keep this supplementary document with its associated primary manual.**

Section numbers or figure numbers in this document are accompanied by the words “replacement” or “addition.” If an item is a replacement, that entire item in the primary manual should be replaced by the corresponding information in this document. If the item is an addition, the information in the primary manual is still valid and must be followed, along with the information contained in this supplement.

Section 3.5 Replacement

3.5.10 (R) or 3.5.11(R) External Device Monitoring and System Power

(Temporary Connection)

Replace the third paragraph of this section with the following paragraph:

Connection of System AC power is at the L and the N terminals of control box wiring barrier TB9. Ensure that the input power has been properly selected at SW1. Use a blade screwdriver to move the actuator to the left for 230V ac power (“230” will be visible in the switch window) or to the right for 115V ac power (“115” will be visible in the switch window). Alternatively, power supply connection of +24V dc can be made at TB7 (+24V dc and com). **Do not connect both AC power and 24V dc power to the control box. Use only one or the other.** All wiring must comply with NEC and local wiring codes. Do not operate the System without a proper earth ground connection at either of the \oplus symbols.

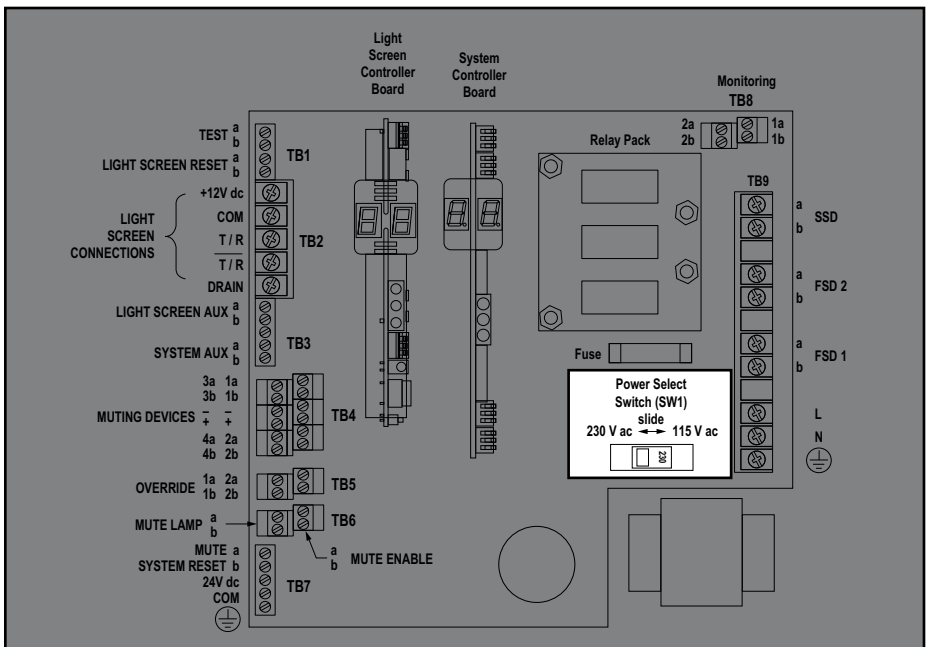


Figure 3-14 (Addition). Electrical connections, showing sliding-style power select switch (SW1)

MINI-SCREEN® and MICRO-SCREEN® Control Boxes with Sliding Power Select Switch

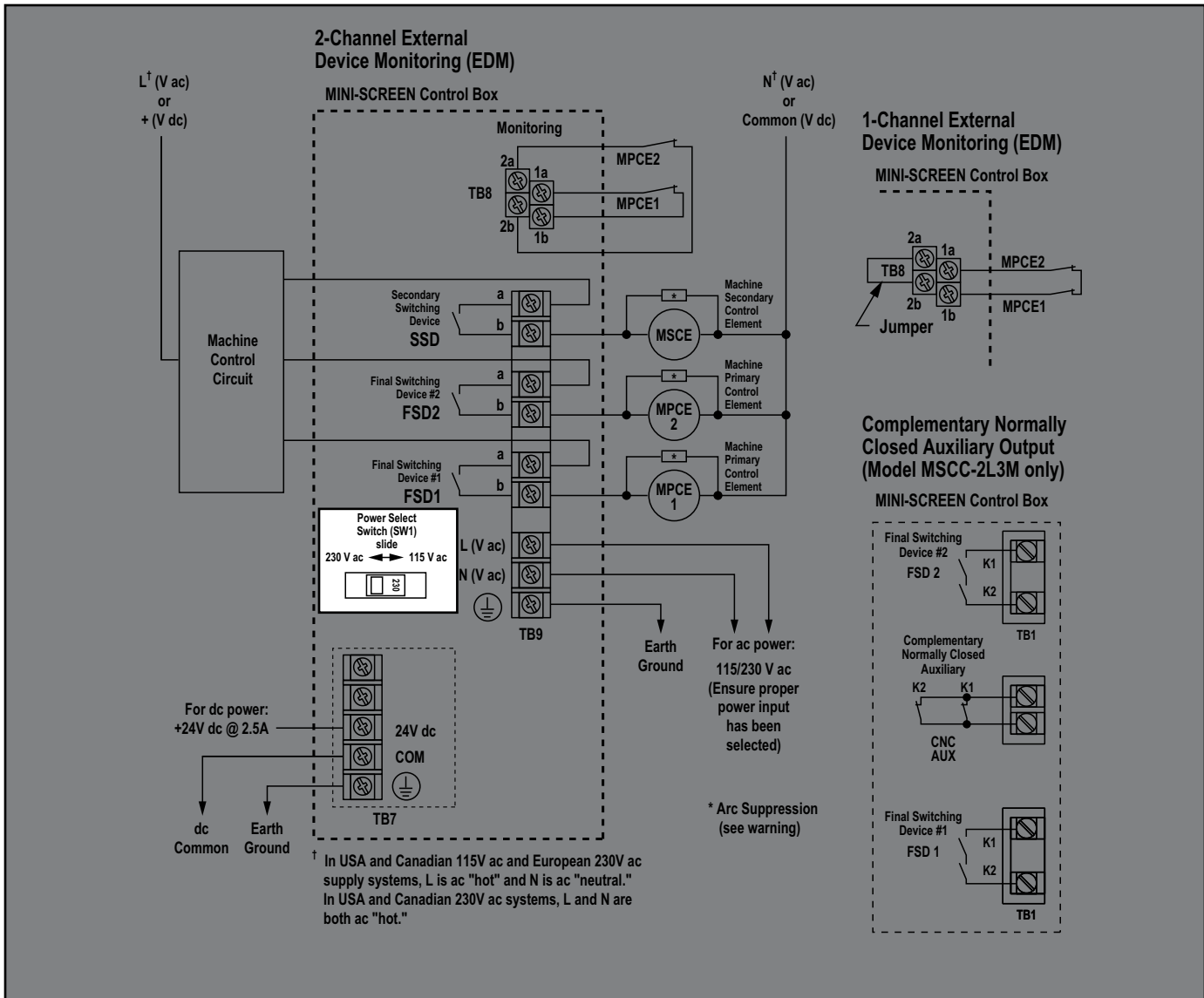


Figure 3-25 (Addition). Generic interface, showing sliding-style power select switch (SW1)



WARRANTY: Banner Engineering Corp. warrants its products to be free from defects for one year. Banner Engineering Corp. will repair or replace, free of charge, any product of its manufacture found to be defective at the time it is returned to the factory during the warranty period. This warranty does not cover damage or liability for the improper application of Banner products. This warranty is in lieu of any other warranty either expressed or implied.