

# SMA990 Series VALU-BEAM® Sensor Kits



## Installation Guide

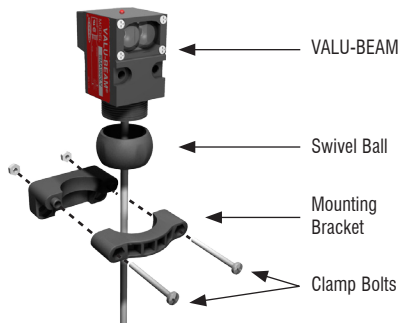


Kit Model	Kit Contents*
SMA990CVMB - 73030	1 – SMA990CVMB Convergent-Mode Sensor 1 – SMB30SC Sensor Mounting Bracket
SMA990LVMB - 72854	1 – SMA990LVMB Non-Polarized Retroreflective-Mode Sensor 1 – SMB30SC Sensor Mounting Bracket 1 – BRT-84 Round Reflector, 84 mm (3.3") 1 – RMB85 Reflector Mounting Bracket
SMA9ERMBK - 73029	1 – SMA91E Opposed-Mode Emitter 1 – SMA99RMB Opposed-Mode Receiver 2 – SMB30SC Sensor Mounting Brackets

\* Each kit includes hardware for assembling the mounting bracket, but not the hardware for attaching the bracket to the mounting surface.

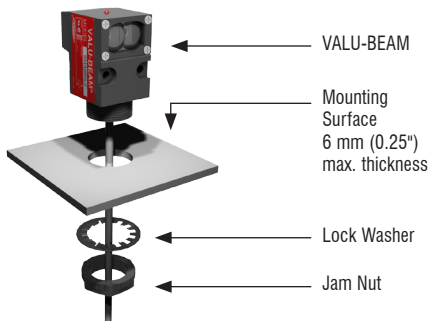
### Mounting the VALU-BEAM Sensor or Emitter/Receiver Pair with Included Bracket(s)

1. Thread the swivel ball onto the VALU-BEAM threaded base.
2. Loosely assemble the mounting bracket, and insert the swivel ball into the opening.
3. Attach the mounting bracket and VALU-BEAM assembly to the mounting surface.
4. Align the VALU-BEAM, and lock the swivel ball by tightening the two clamp bolts.



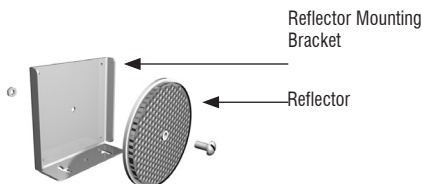
### Alternative VALU-BEAM Mounting Option (Without Brackets)

1. Drill a 30-mm mounting hole through the 6 mm (0.25") maximum thickness mounting surface.
2. Insert the threaded base of the VALU-BEAM through the mounting hole, and loosely secure it in place with the 30-mm lock washer and jam nut.
3. Align the VALU-BEAM, and tighten the jam nut.



### Assembling and Mounting the Reflector and Bracket (Retroreflective model only)

1. Secure the reflector to the reflector mounting bracket with the included bolt and nut.
2. Select the location to which the VALU-BEAM will be aligned, and attach the reflector-and-bracket assembly to the mounting surface (hardware not included).



Banner Engineering Corp. warrants its products to be free from defects in material and workmanship for one year following the date of shipment. Banner Engineering Corp. will repair or replace, free of charge, any product of its manufacture which, at the time it is returned to the factory, is found to have been defective during the warranty period. This warranty does not cover damage or liability for misuse, abuse, or the improper application of the Banner product.

**THIS LIMITED WARRANTY IS EXCLUSIVE AND IN LIEU OF ALL OTHER WARRANTIES WHETHER EXPRESS OR IMPLIED (INCLUDING, WITHOUT LIMITATION, ANY WARRANTY OF MERCHANTABILITY OR FITNESS FOR A PARTICULAR PURPOSE), AND WHETHER ARISING UNDER COURSE OF PERFORMANCE, COURSE OF DEALING OR TRADE USAGE.**

This Warranty is exclusive and limited to repair or, at the discretion of Banner Engineering Corp., replacement. **IN NO EVENT SHALL BANNER ENGINEERING CORP. BE LIABLE TO BUYER OR ANY OTHER PERSON OR ENTITY FOR ANY EXTRA COSTS, EXPENSES, LOSSES, LOSS OF PROFITS, OR ANY INCIDENTAL, CONSEQUENTIAL OR SPECIAL DAMAGES RESULTING FROM ANY PRODUCT DEFECT OR FROM THE USE OR INABILITY TO USE THE PRODUCT, WHETHER ARISING IN CONTRACT OR WARRANTY, STATUTE, TORT, STRICT LIABILITY, NEGLIGENCE, OR OTHERWISE.**

Banner Engineering Corp. reserves the right to change, modify or improve the design of the product without assuming any obligations or liabilities relating to any product previously manufactured by Banner Engineering Corp.