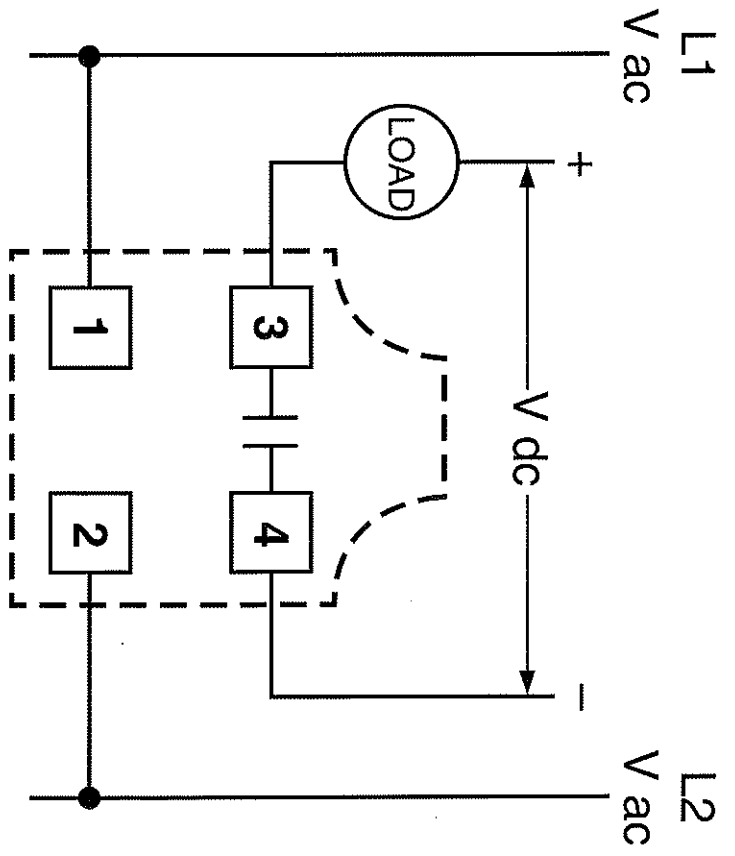


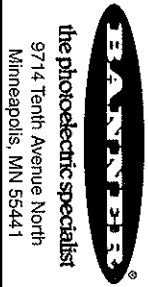
**Description:**  
 MULTI-BEAM powerblock model PBOL is used to interface to low-voltage circuitry, such as 5V TTL, where low saturation voltage is required.

SPECIFICATIONS

INPUT SUPPLY VOLTAGE	105 - 130V ac, 50/60 Hz
POWER CONSUMPTION	1 VA
OUTPUT CURRENT	100 mA max. @ 30V dc max.
RESPONSE SPEED	1ms
OPERATING TEMPERATURE	-40 to +70°C (-40 to 158°F)
LEAKAGE CURRENT ("OFF" STATE)	1 microamp max.
SATURATION "ON" STATE VOLTAGE AT 50 mA LOAD CURRENT	0.2V dc max.
OUTPUT STATE	N.O. or N.C. (DEPENDS ON LOGIC MODULE)



Note:  
 For V ac see specifications



TITLE	HOOKUP & SPECIFICATIONS MODEL PBOL POWER BLOCK
NO.	11630
REV.	C