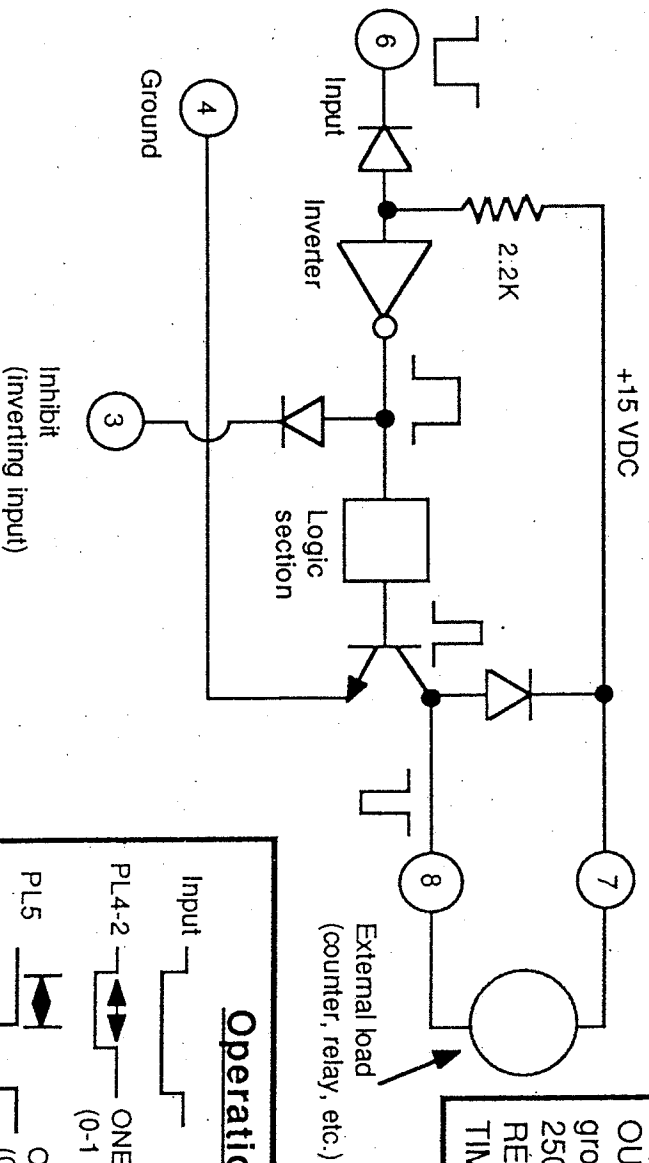
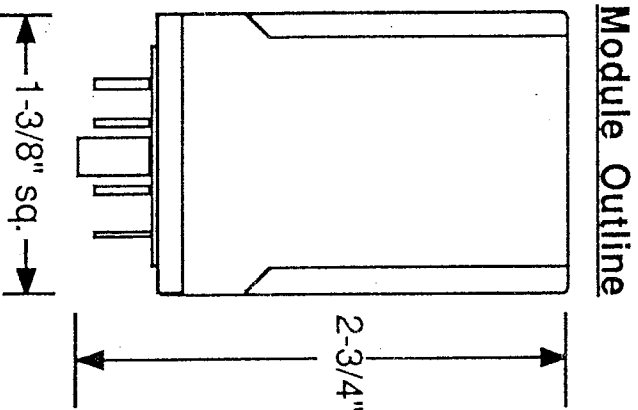
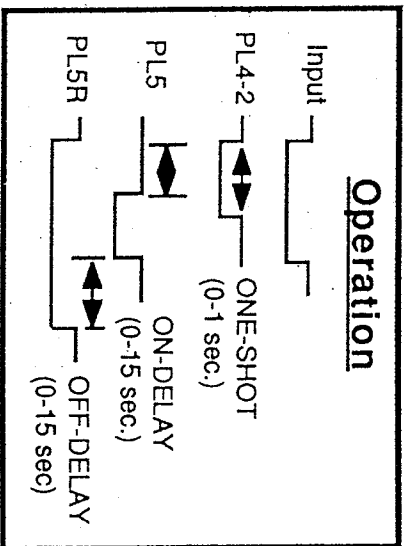


# INFORMATION SHEET: PL5, PL5R, PL4-2, PL4-2R Plug-in Logic Modules

## Functional Schematic



**Specifications**  
**SUPPLY VOLTAGE:** +15 VDC  $\pm 20\%$ ; maximum ripple 20%  
**OUTPUT:** Open circuit with module "off" switches to ground with module "on". Maximum current rating 250 milliamps DC  
**RESPONSE TIME:** less than 1 millisecond  
**TIMER REPEATABILITY:**  $\pm 2\%$



## Notes

An INPUT signal may be generated by shorting pin 6 to ground (pin 4). Suitable inputs may be derived from the output of any "MB" or "MA" series photoelectric amplifier, any DC proximity sensor with NPN outputs, Banner "SM" series LED sensors, many other types of transducers, limit switches, logic levels, etc. Inverting inputs may be created by permanently connecting pin 5 to ground and connecting the Input signal to pin 3.

**BANNER**  
 the photoelectric specialist

P/N 10614(B)

7/13/88