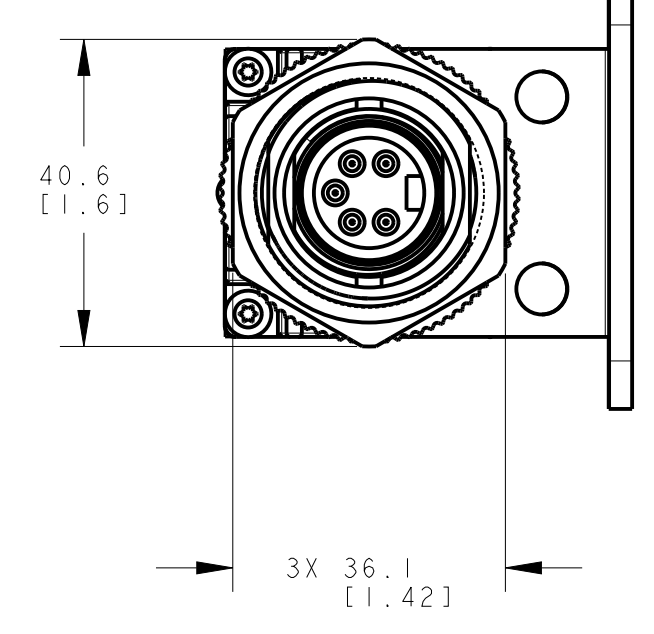
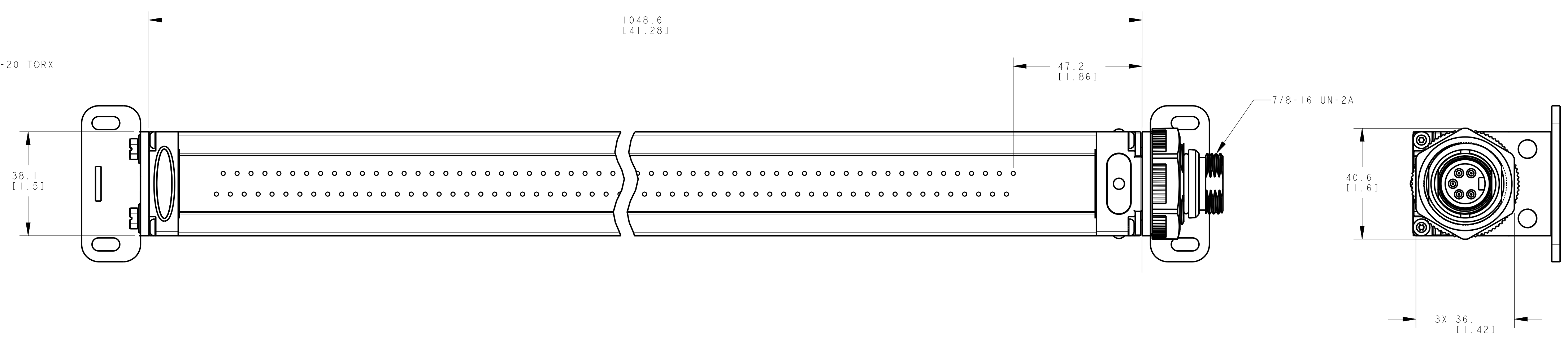
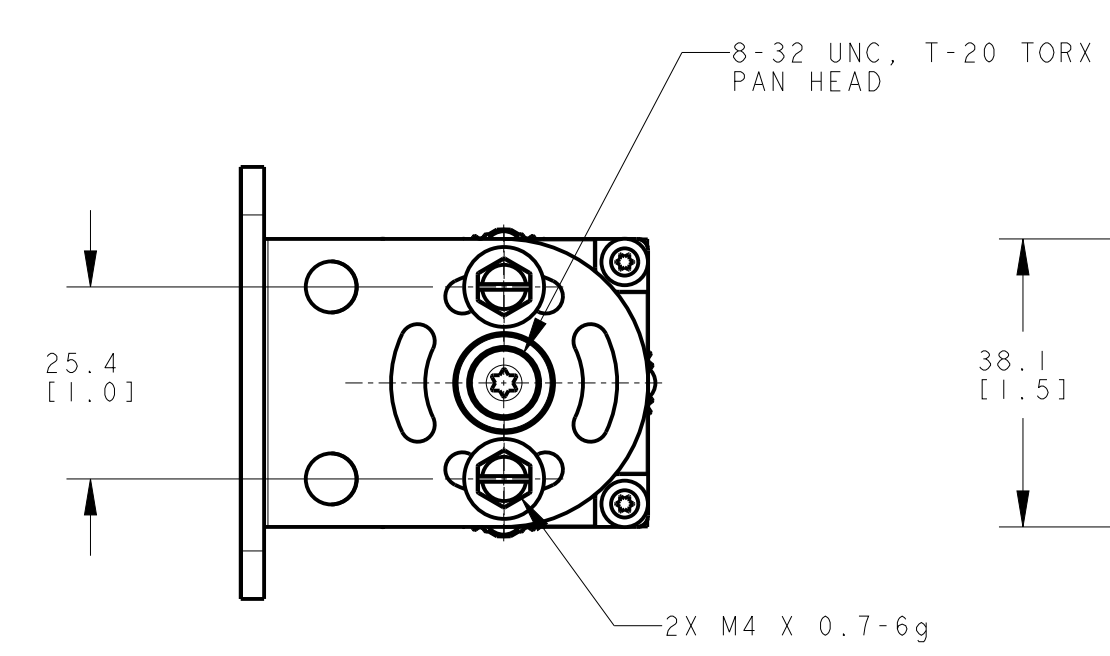
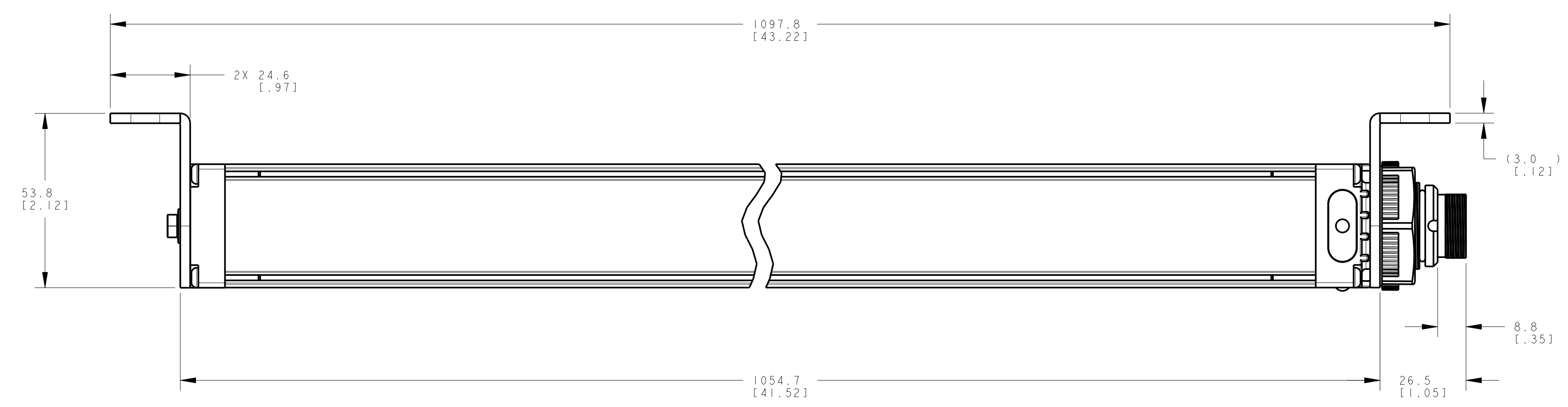
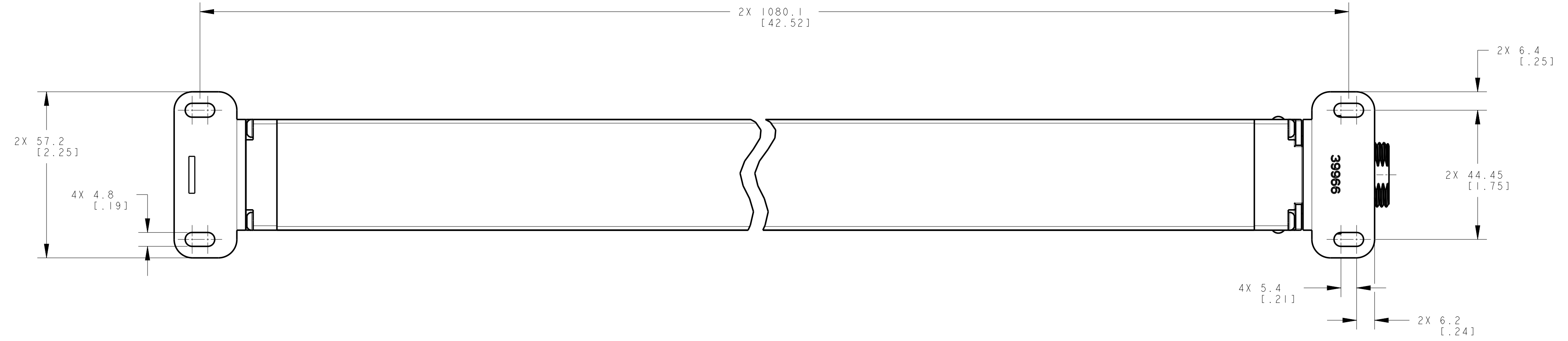


ISOMETRIC VIEW
SCALE 1:2



NOTES:
1. ALL DIMENSIONS ARE MILLIMETERS [INCHES] UNLESS OTHERWISE NOTED.
2. REFER TO "www.bannerengineering.com" FOR ADDITIONAL DATA AND SPECIFICATIONS.

This drawing is the property of BANNER ENGINEERING CORP. Any use or reproduction, in any form, without prior written permission of Banner is prohibited. © Banner Engineering Corp.

BANNER BANNER ENGINEERING CORP.
www.bannerengineering.com

TITLE: **MAHE38A**

THIRD ANGLE PROJECTION

| | | |
|------------|--------------------|--------|
| SIZE: D | DRAWING NO: 255882 | REV: A |
| SCALE: 1:1 | SHEET 1 OF 1 | CREO |