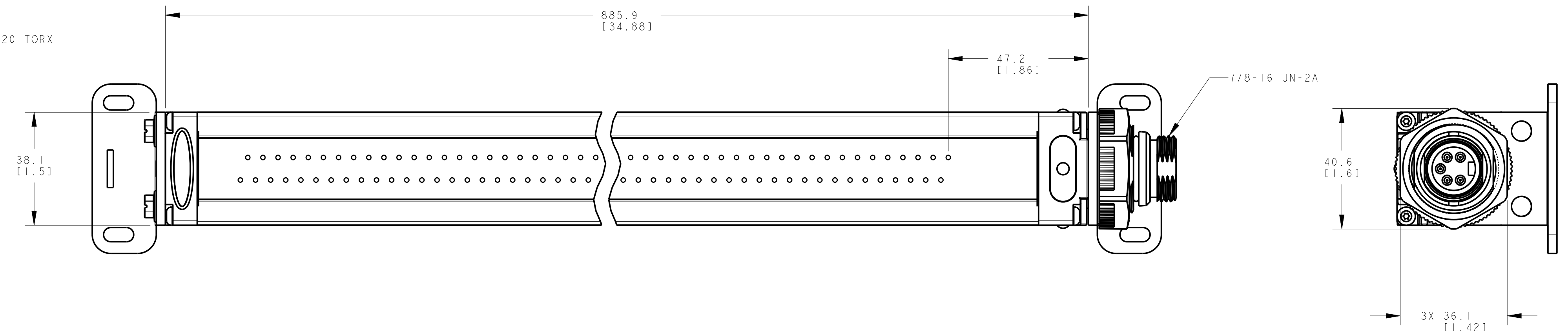
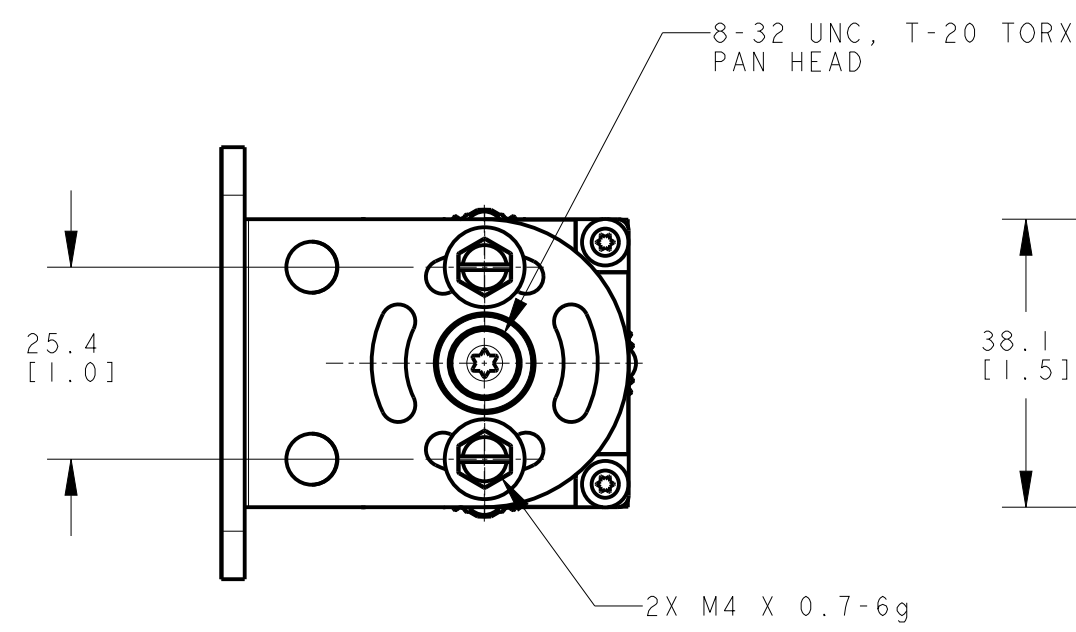
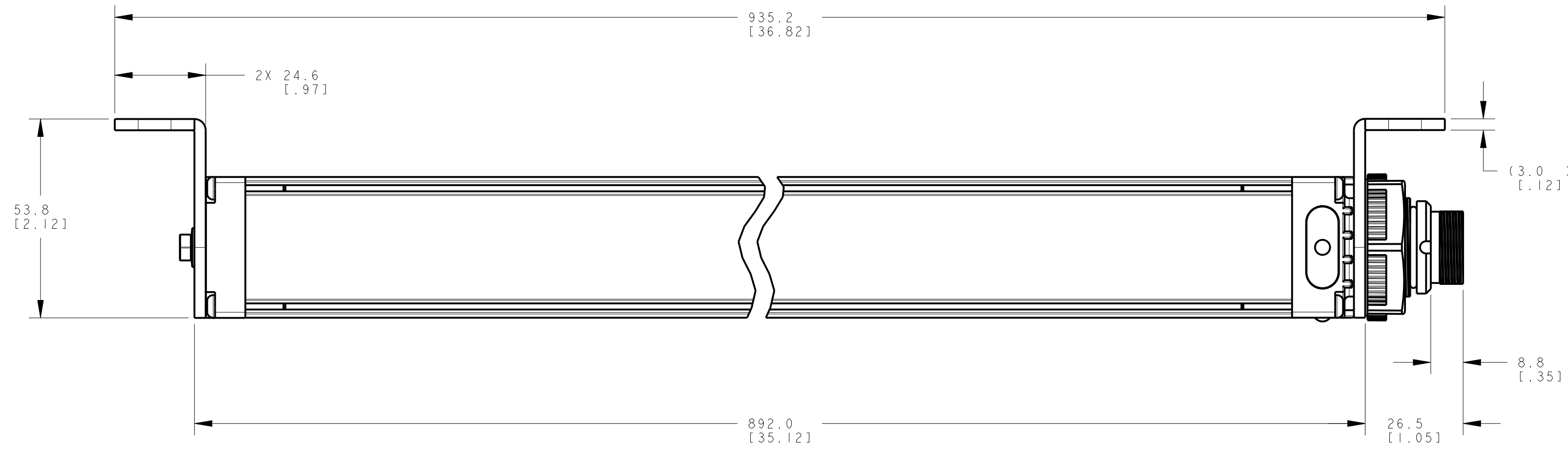
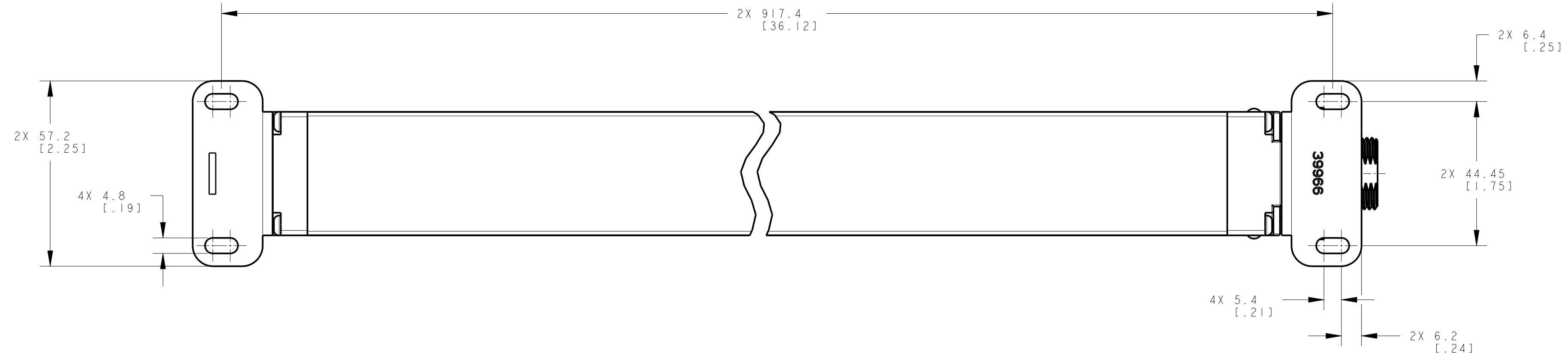


ISOMETRIC VIEW  
SCALE 1:2



NOTES:  
1. ALL DIMENSIONS ARE MILLIMETERS [INCHES] UNLESS OTHERWISE NOTED.  
2. REFER TO "www.bannerengineering.com" FOR ADDITIONAL DATA AND SPECIFICATIONS.

<small>This drawing is the property of BANNER ENGINEERING CORP. Any use or reproduction in any form, without prior written permission of Banner is prohibited. © Banner Engineering Corp.</small>		<b>BANNER</b> BANNER ENGINEERING CORP. www.bannerengineering.com	
TITLE <b>MAHE32A</b>			
SIZE D	DRAWING NO <b>255881</b>	REV. <b>A</b>	
SCALE 1:1		SHEET 1 OF 1	

CREO