

8

7

6

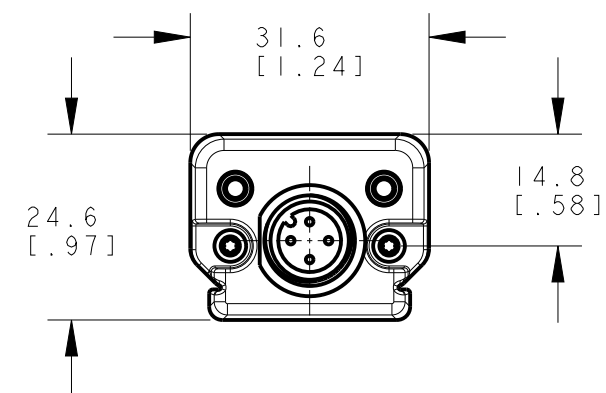
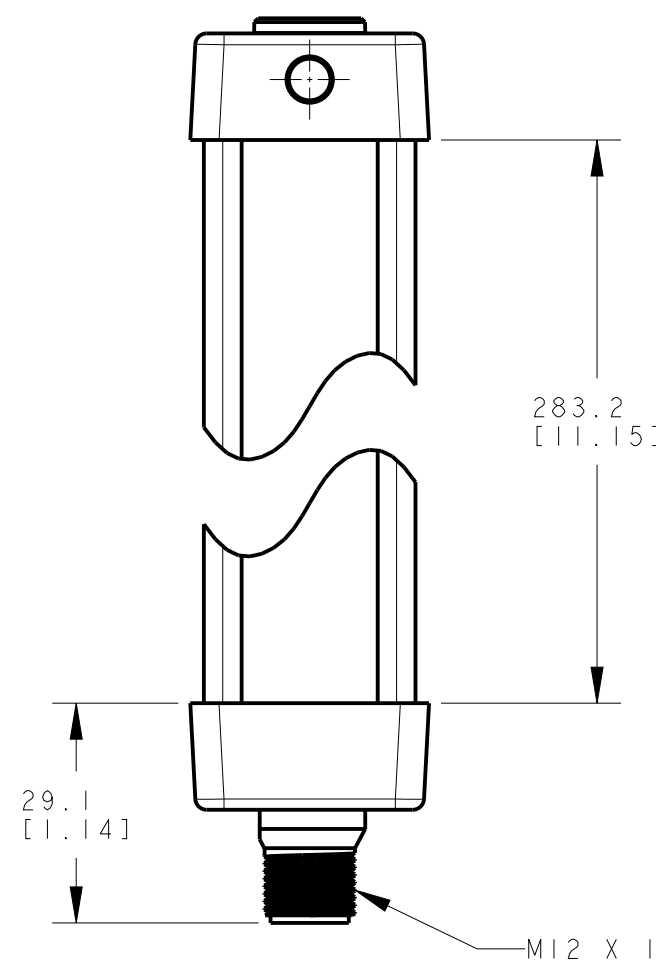
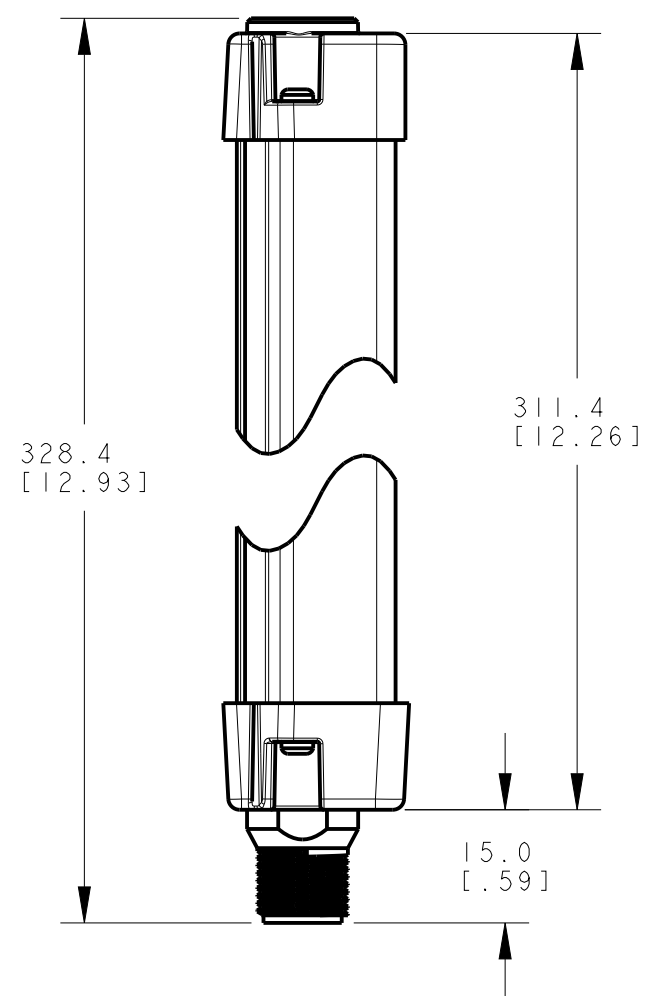
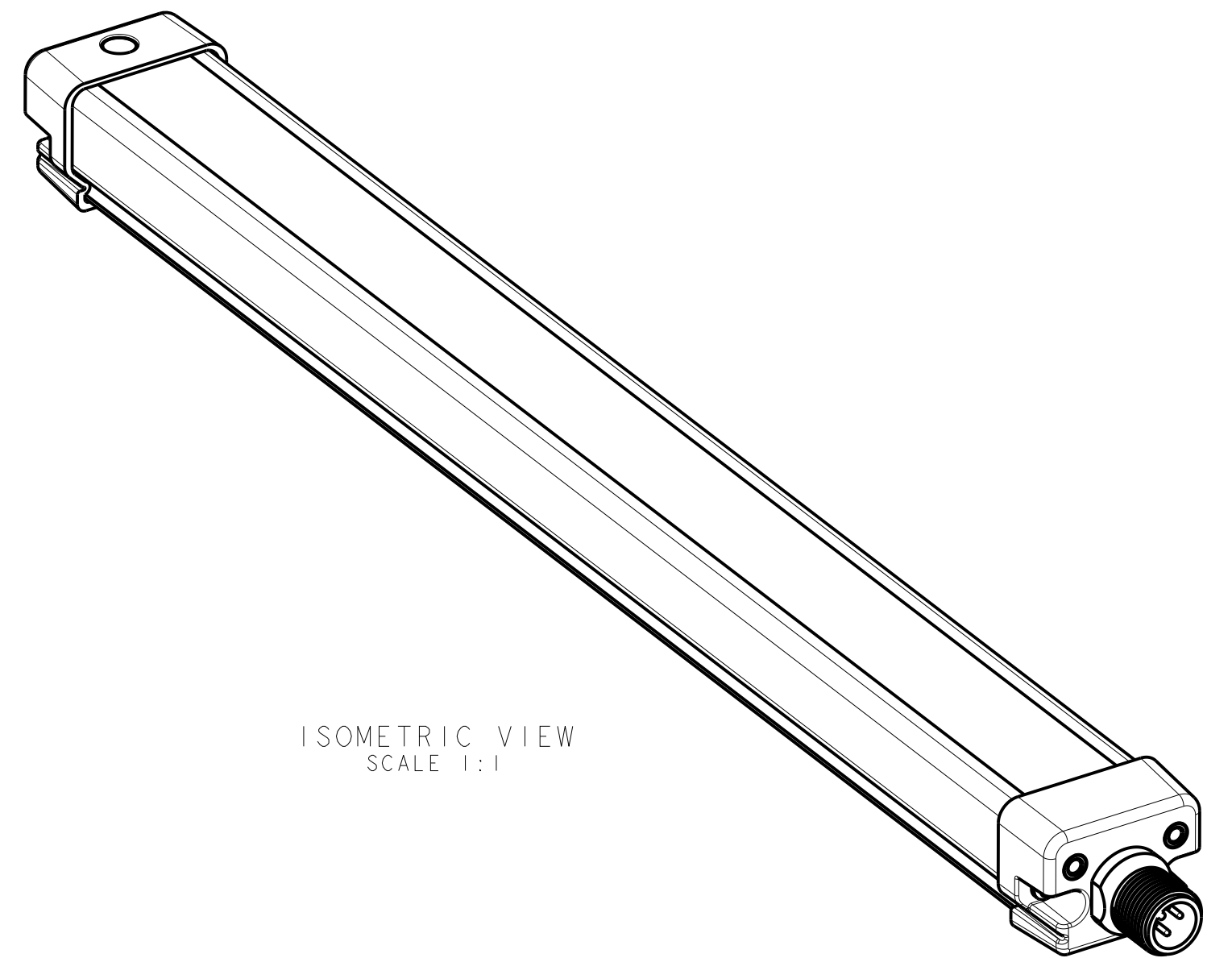
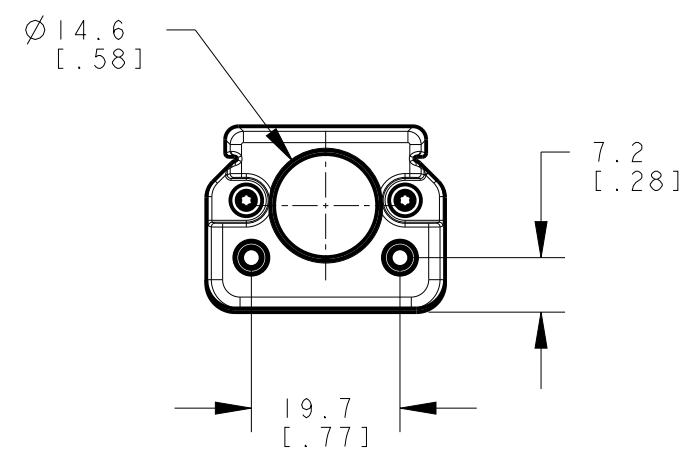
5

4

3

2

1



NOTES:
 1. ALL DIMENSIONS ARE MILLIMETERS [INCHES] UNLESS OTHERWISE NOTED.
 2. REFER TO "www.bannerengineering.com" FOR ADDITIONAL DATA AND SPECIFICATIONS.

This drawing is the property
 of BANNER ENGINEERING CORP.
 Any use or reproduction,
 in any form, without prior
 written permission of
 Banner is prohibited.
 © Banner Engineering Corp.

THIRD ANGLE PROJECTION

BANNER ENGINEERING CORP. www.bannerengineering.com		REV. A
TITLE WLS28 VALUE IFT OD		
SIZE C	DRAWING NO. 248422	REV. A
SCALE 1:1		SHEET 1 OF 1

CREO

8

7

6

5

4

3

2

1