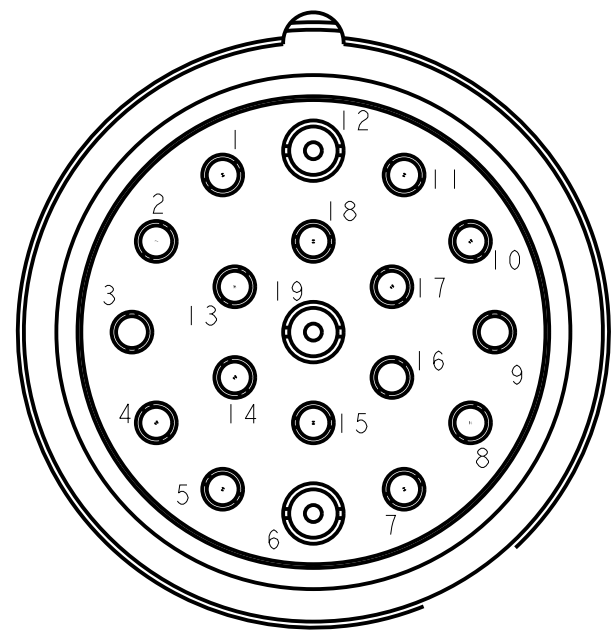
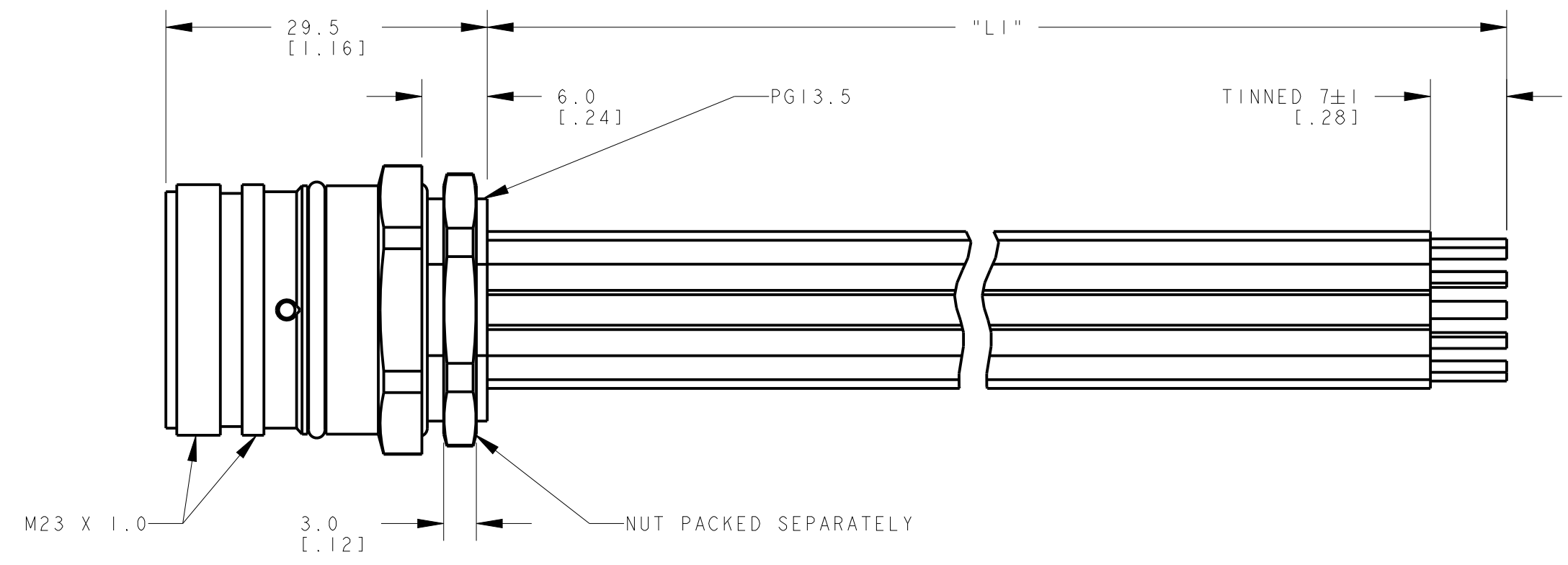
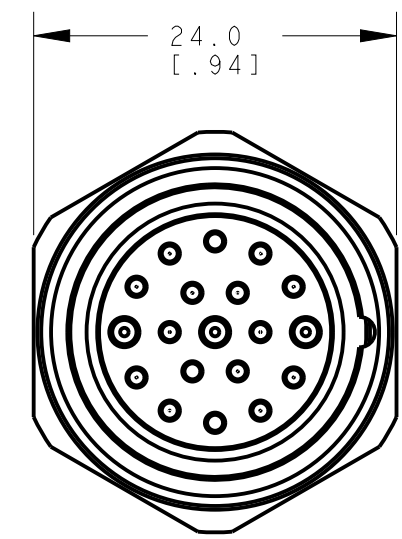


8 7 6 5 4 3 2 1



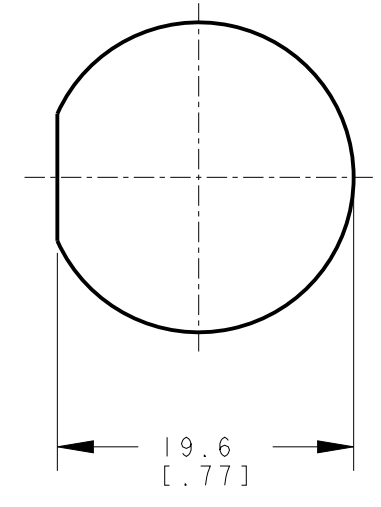
VIEW FROM FRONT (FEMALE)
SCALE 4:1

PL

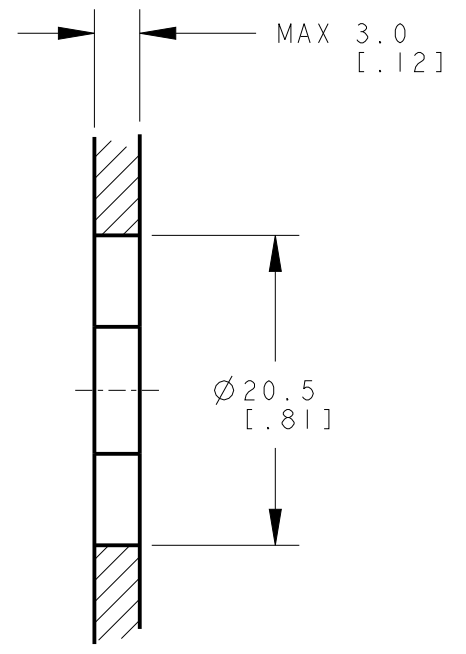


M23 X 1.0 3.0 [0.12] NUT PACKED SEPARATELY

CONNECTOR PIN-OUT			
PIN	WIRE COLOR	PIN	WIRE COLOR
1	PURPLE	11	BLACK
2	RED	12	GREEN/YELLOW (18AWG)
3	GREY	13	YELLOW/BROWN
4	RED/BLUE	14	BROWN/GREEN
5	GREEN	15	WHITE
6	BLUE (18AWG)	16	YELLOW
7	GREY/PINK	17	PINK
8	WHITE/GREEN	18	GREY/BROWN
9	WHITE/YELLOW	19	BROWN (18AWG)
10	WHITE/GREY		



RECOMMENDED PANEL CUT-OUT



NOTES:
1. ALL DIMENSIONS ARE MILLIMETERS [INCHES] UNLESS OTHERWISE NOTED.
2. REFER TO "www.bannerengineering.com" FOR ADDITIONAL DATA AND SPECIFICATIONS.

This drawing is the property of BANNER ENGINEERING CORP. Any use or reproduction, in any form, without prior written permission of Banner is prohibited. © 2015 Banner Engineering Corp.

THIRD ANGLE PROJECTION

BANNER BANNER ENGINEERING CORP.
www.bannerengineering.com

TITLE: **BR-M23F19F13-X**

SIZE: C DRAWING NO. **242159** REV. **A**

SCALE: 2:1 SHEET 1 OF 1

8 7 6 5 4 3 2 1 CREO