

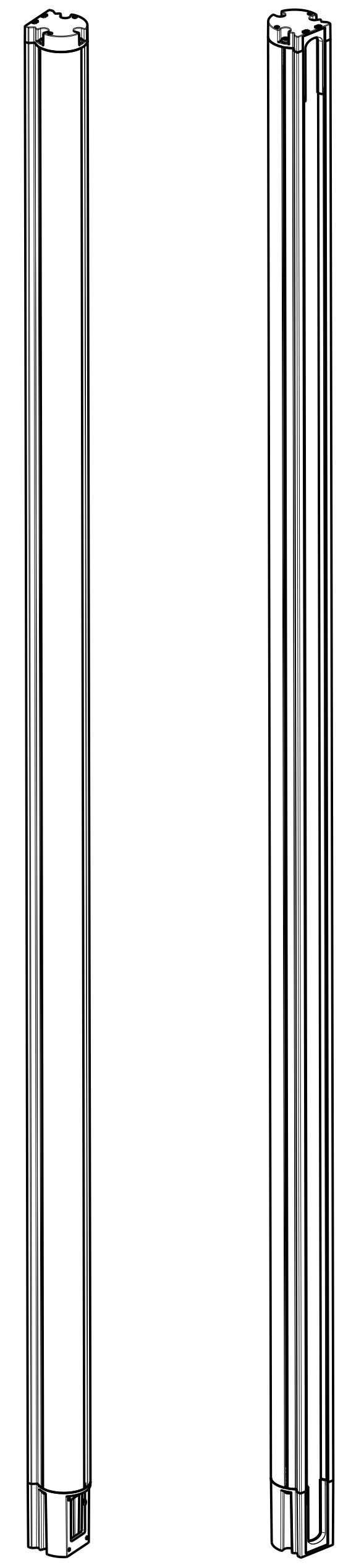
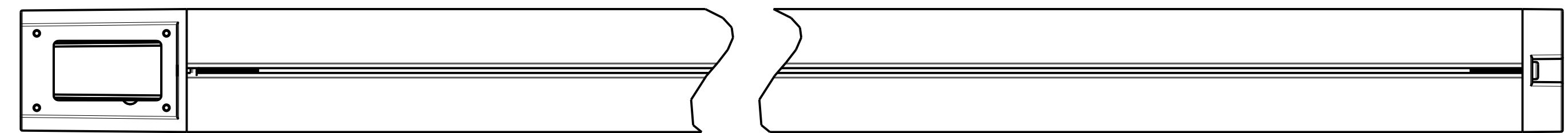
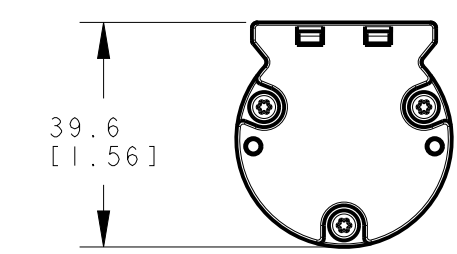
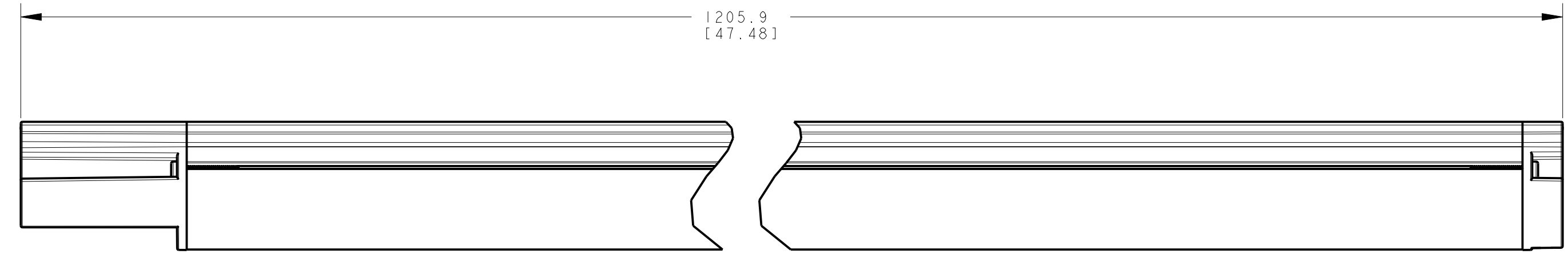
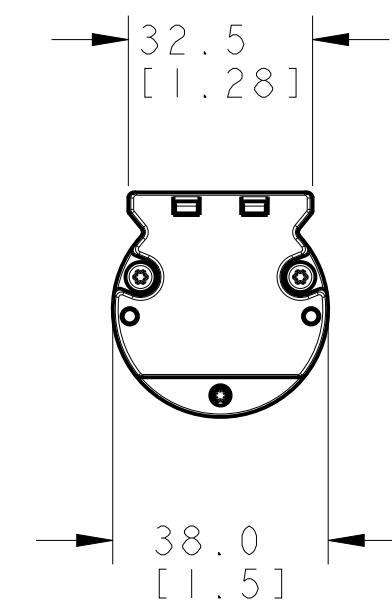
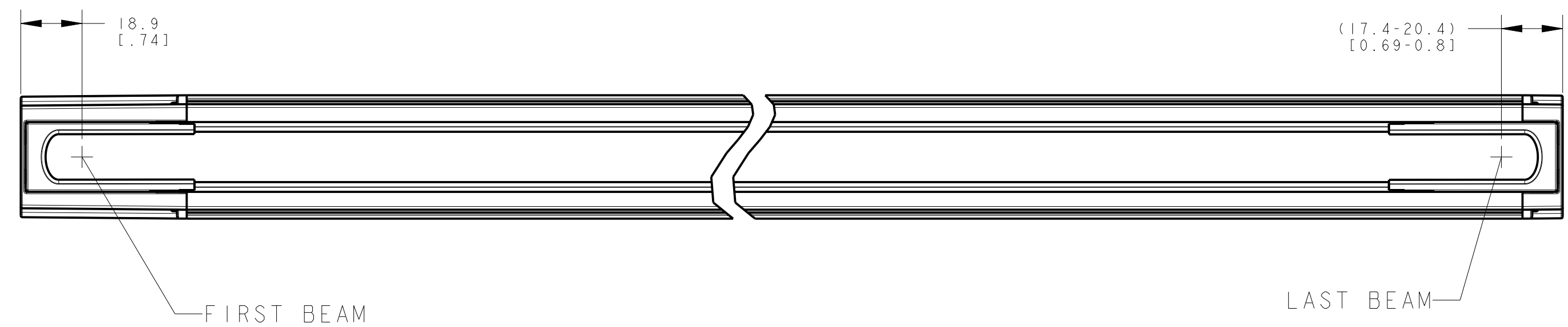
8 7 6 5 4 3 2 1

D

C

B

A



ISOMETRIC VIEW SCALE 3:10 ISOMETRIC VIEW SCALE 3:10

NOTES:  
 1. ALL DIMENSIONS ARE MILLIMETERS [INCHES] UNLESS OTHERWISE NOTED.  
 2. REFER TO "www.bannerengineering.com" FOR ADDITIONAL DATA AND SPECIFICATIONS.

8 7 6 5 4 3 2 1

This drawing is the property of BANNER ENGINEERING CORP. Any use or reproduction, in any form, without prior written permission of Banner is prohibited. © 2015 Banner Engineering Corp.

**BANNER** BANNER ENGINEERING CORP.  
 www.bannerengineering.com

TITLE: **S4BE/R30 SLC 1200MM**

THIRD ANGLE PROJECTION

SIZE D	DRAWING NO. <b>240995</b>	REV. <b>A</b>
SCALE 3:4	SHEET 1 OF 1	

CREO