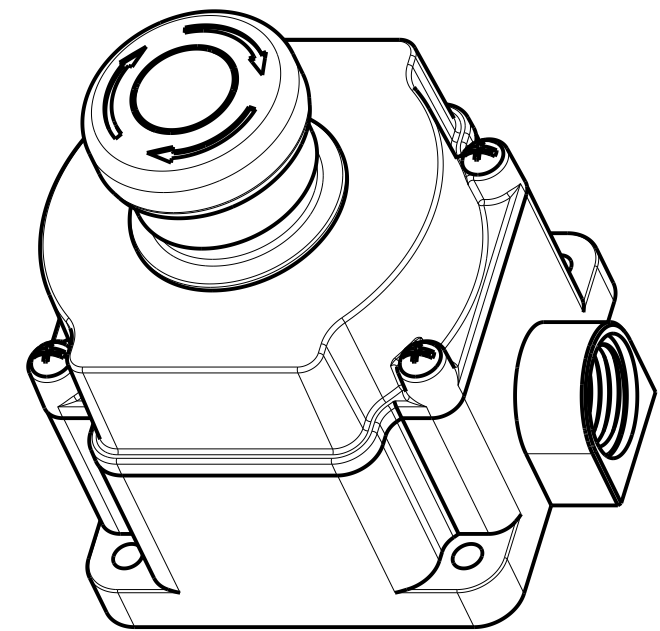
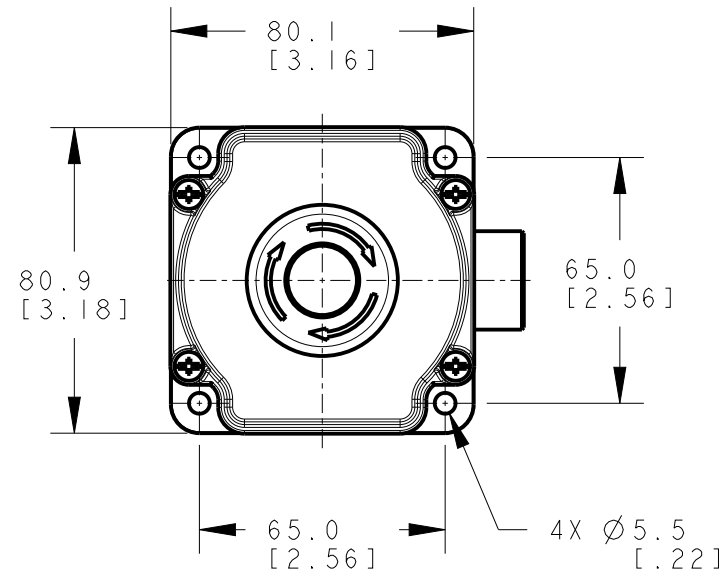
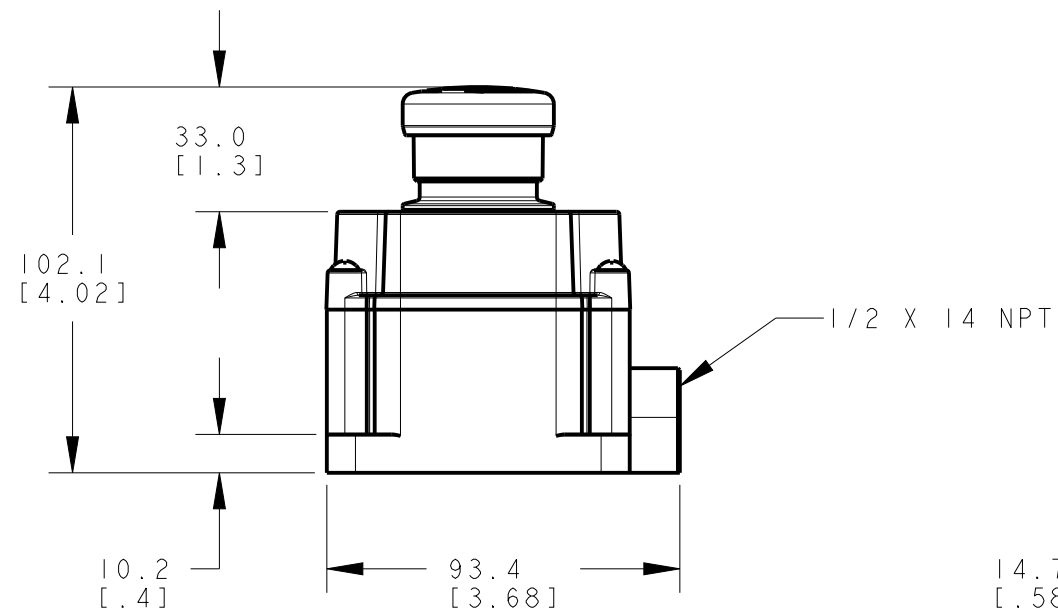


8 | 7 | 6 | 5 | 4 | 3 | 2 | 1

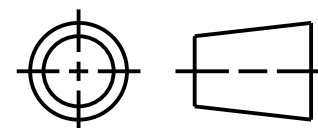



ISOMETRIC VIEW
SCALE 3:4



This drawing is the property of BANNER ENGINEERING CORP. Any use or reproduction, in any form, without prior written permission of Banner is prohibited. © 2015 Banner Engineering Corp.

THIRD ANGLE PROJECTION



		BANNER ENGINEERING CORP. www.bannerengineering.com	
TITLE			
SSA-EBIP/PL No OD			
SIZE	DRAWING NO.	REV.	
B	239627	A	
SCALE	SHEET		OF
1:2	1		1

NOTES:
 1. ALL DIMENSIONS ARE MILLIMETERS [INCHES] UNLESS OTHERWISE NOTED.
 2. REFER TO "www.bannerengineering.com" FOR ADDITIONAL DATA AND SPECIFICATIONS.

8 | 7 | 6 | 5 | 4 | 3 | 2 | 1 | CREO