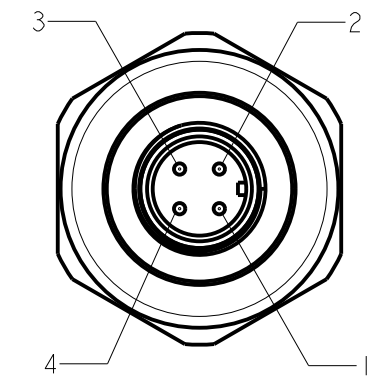
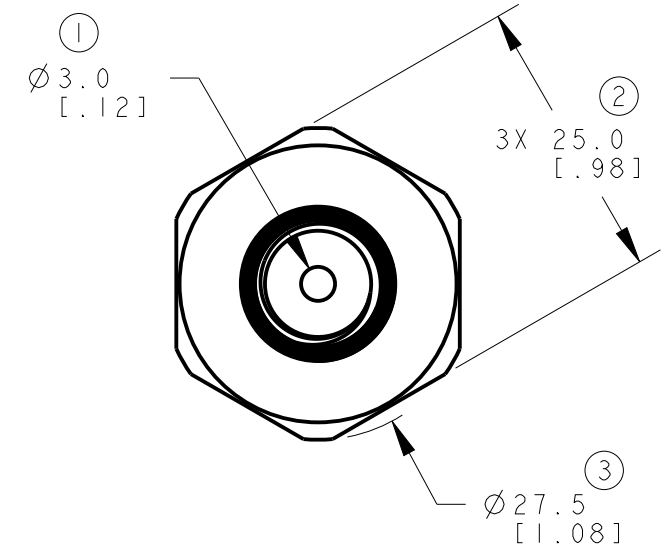
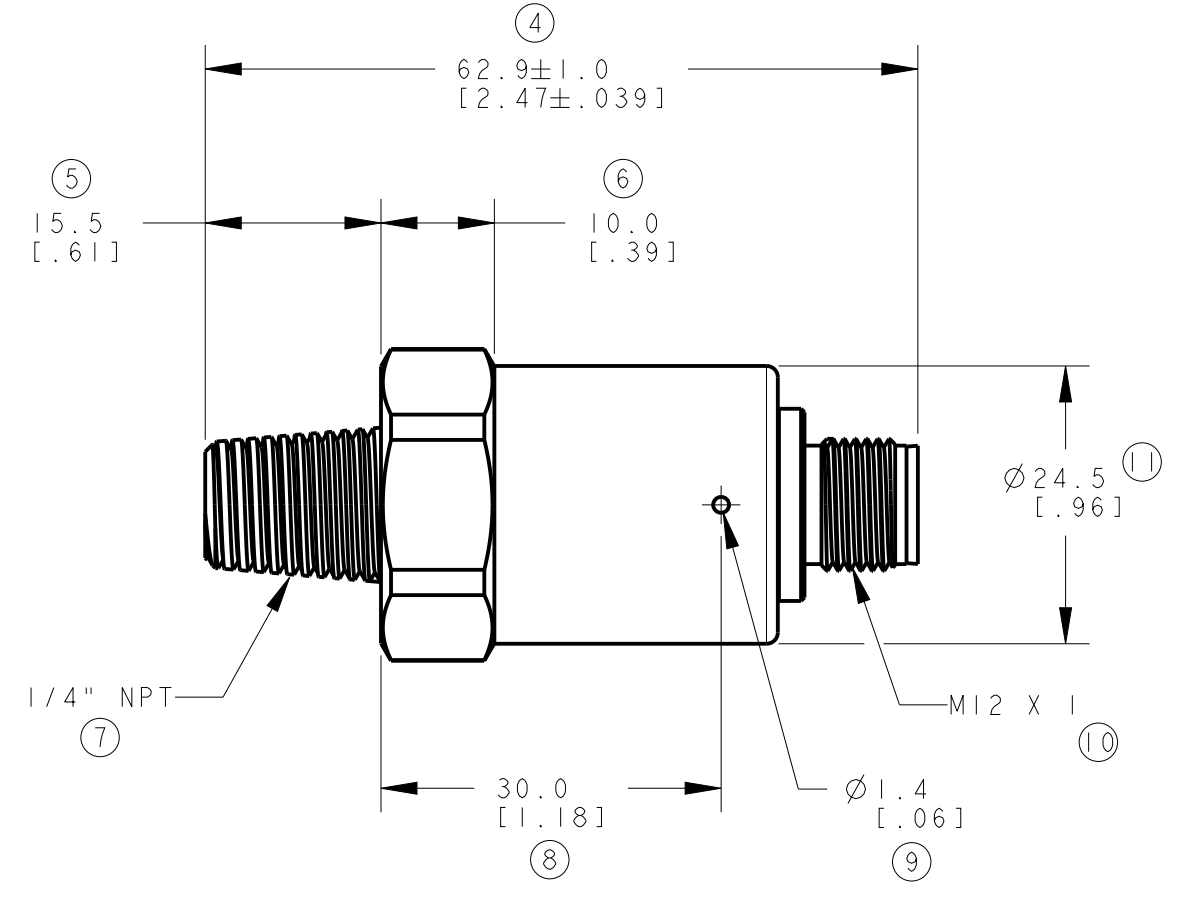


ISOMETRIC VIEW
SCALE 1:1



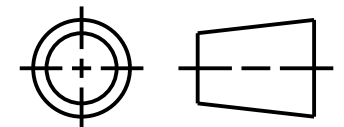
MALE POLES

- 1. SUPPLY V+
- 2. OUTPUT
- 3. N/C
- 4. N/C



This drawing is the property of BANNER ENGINEERING CORP. Any use or reproduction, in any form, without prior written permission of Banner is prohibited. © 2015 Banner Engineering Corp.

THIRD ANGLE PROJECTION



		BANNER ENGINEERING CORP.	
		www.bannerengineering.com	
TITLE			
PRESSURE SENSOR 3000PSI 4-20MA STAINLESS			
SIZE	DRAWING NO.	REV.	
B	236420	A	
SCALE	SHEET		CREO
3:2	1 OF 1		

NOTES:
1. ALL DIMENSIONS ARE MILLIMETERS [INCHES] UNLESS OTHERWISE NOTED.
2. REFER TO "www.bannerengineering.com" FOR ADDITIONAL DATA AND SPECIFICATIONS.