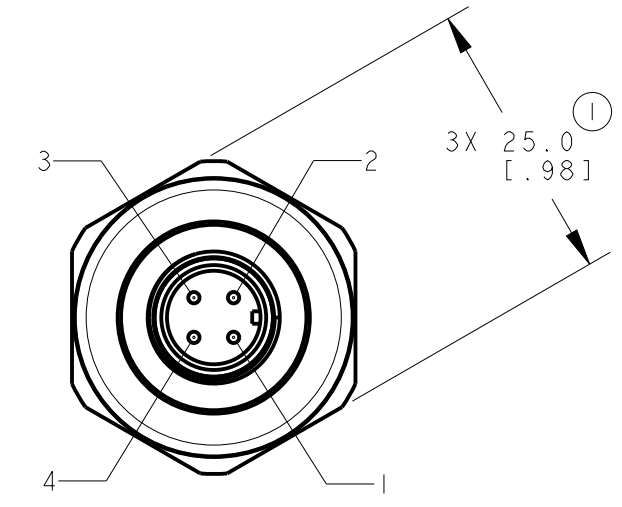
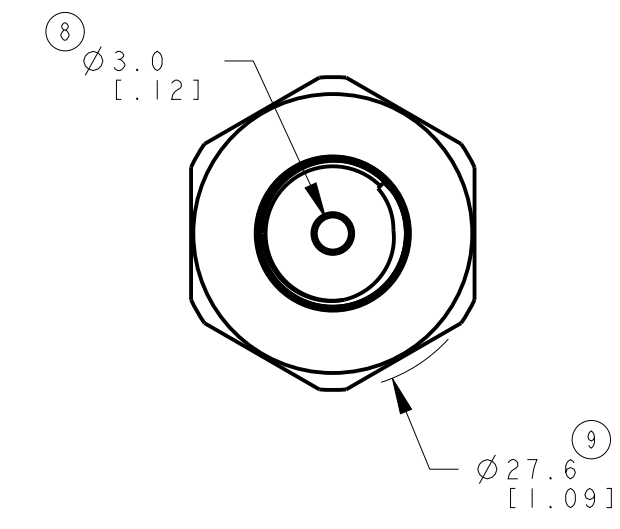
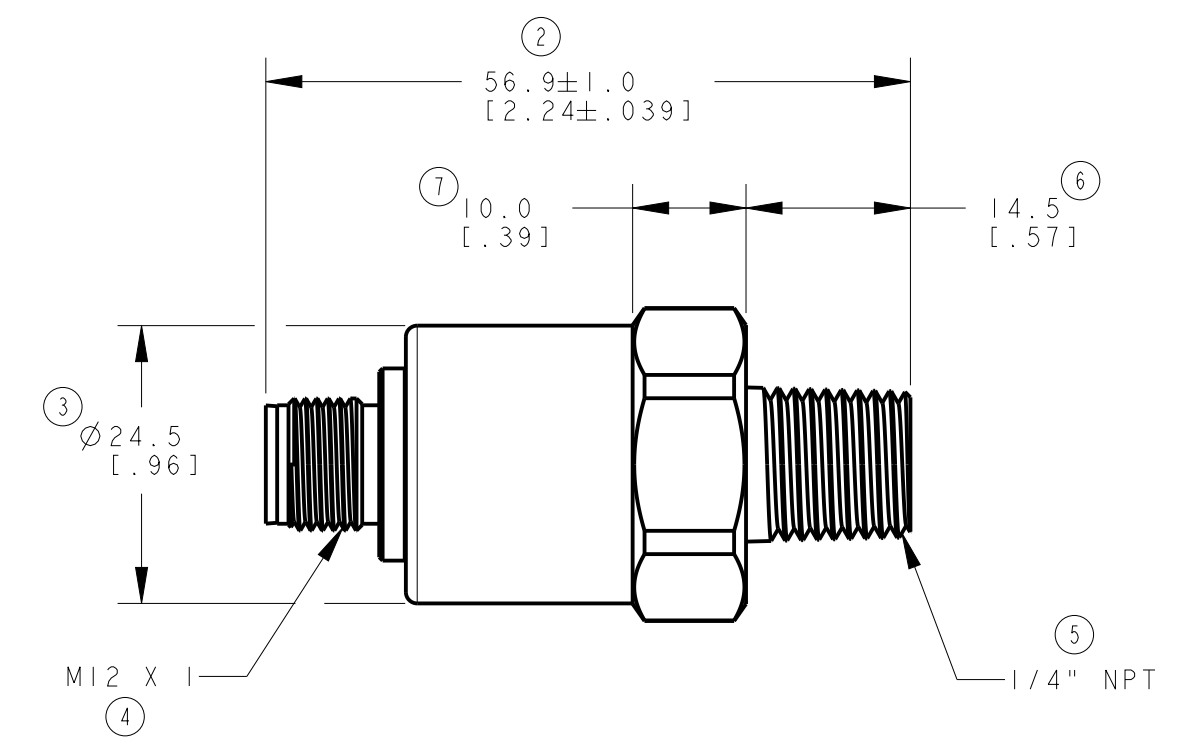


ISOMETRIC VIEW
SCALE 1:1



MALE POLES
 1. SUPPLY V+
 2. OUTPUT
 3. N/C
 4. N/C

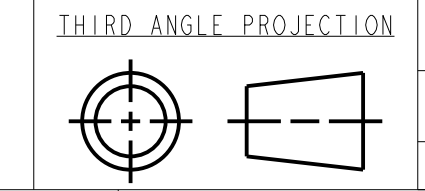


This drawing is the property of BANNER ENGINEERING CORP. Any use or reproduction, in any form, without prior written permission of Banner is prohibited. © 2015 Banner Engineering Corp.

BANNER BANNER ENGINEERING CORP.
www.bannerengineering.com

TITLE
PRESSURE SENSOR 150PSI 4-20MA CERAMIC

SIZE B DRAWING NO. **235736** REV. **A**
 SCALE 3:2 SHEET 1 OF 1



NOTES:
 1. ALL DIMENSIONS ARE MILLIMETERS [INCHES] UNLESS OTHERWISE NOTED.
 2. REFER TO "www.bannerengineering.com" FOR ADDITIONAL DATA AND SPECIFICATIONS.