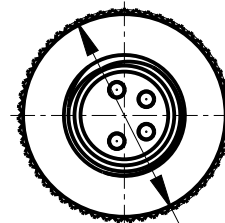
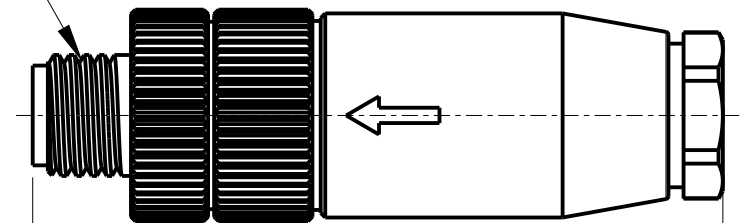


ISOMETRIC VIEW
SCALE 1:1

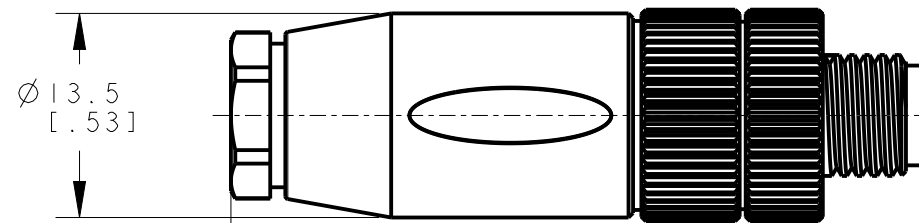
M8 X 1.0



$\varnothing 14.0$
[.55]



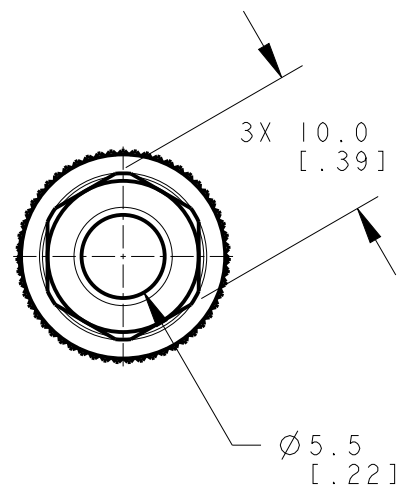
45.7
[1.8]



$\varnothing 13.5$
[.53]

26.6
[1.05]

45.7
[1.8]

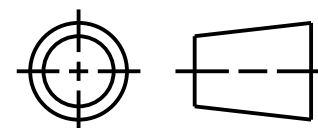


3X 10.0
[.39]

$\varnothing 5.5$
[.22]

This drawing is the property of BANNER ENGINEERING CORP. Any use or reproduction, in any form, without prior written permission of Banner is prohibited. © 2015 Banner Engineering Corp.

THIRD ANGLE PROJECTION



BANNER BANNER ENGINEERING CORP.
www.bannerengineering.com

TITLE
M8 MALE 4 PIN ST FIELD WIREABLE

SIZE B DRAWING NO. **234960** REV. **A**

SCALE 2:1 SHEET 1 OF 1

CREO

NOTES:
1. ALL DIMENSIONS ARE MILLIMETERS [INCHES] UNLESS OTHERWISE NOTED.
2. REFER TO "www.bannerengineering.com" FOR ADDITIONAL DATA AND SPECIFICATIONS.