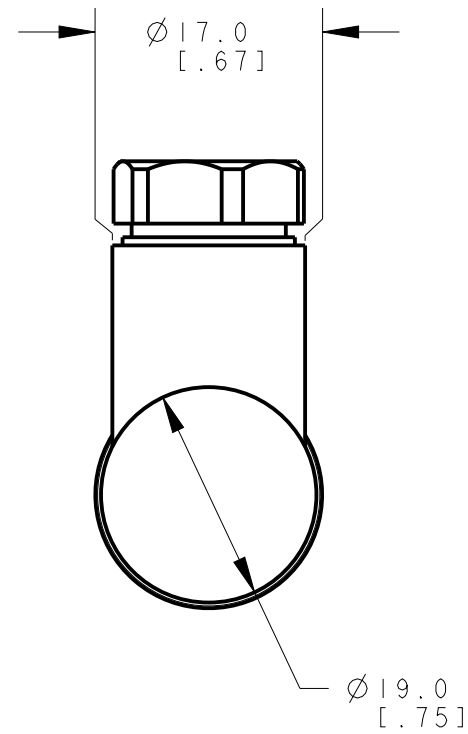
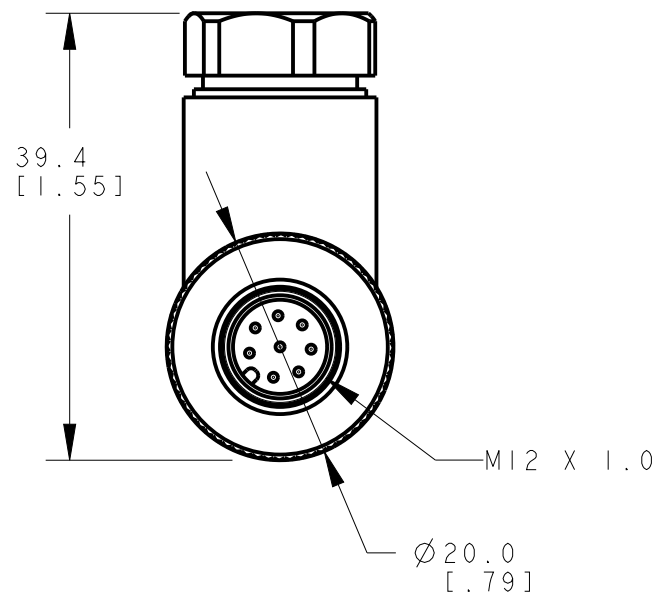
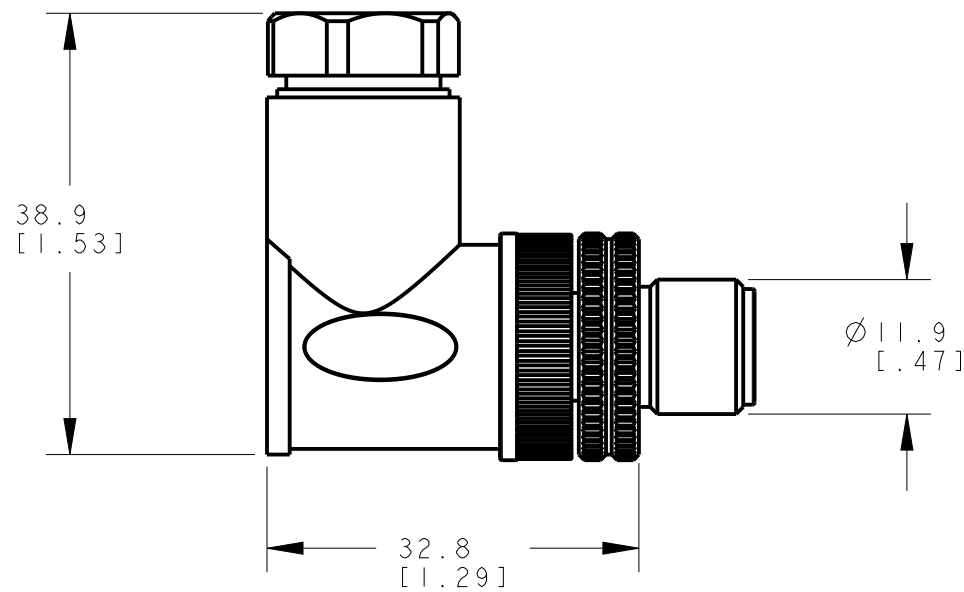
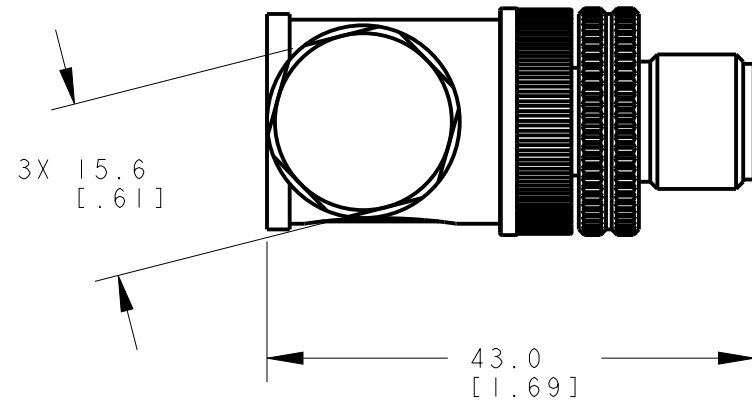


ISOMETRIC VIEW  
SCALE 1:1



This drawing is the property of BANNER ENGINEERING CORP. Any use or reproduction, in any form, without prior written permission of Banner is prohibited. © 2015 Banner Engineering Corp.

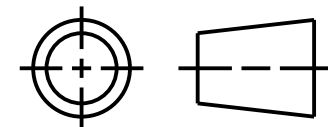
**BANNER** BANNER ENGINEERING CORP.  
www.bannerengineering.com

TITLE  
**M12 MALE 8 PIN RA FIELD WIREABLE PG9**

SIZE B DRAWING NO. **234952** REV. **A**

SCALE 3:2 SHEET 1 OF 1

THIRD ANGLE PROJECTION



NOTES:  
1. ALL DIMENSIONS ARE MILLIMETERS [INCHES] UNLESS OTHERWISE NOTED.  
2. REFER TO "www.bannerengineering.com" FOR ADDITIONAL DATA AND SPECIFICATIONS.