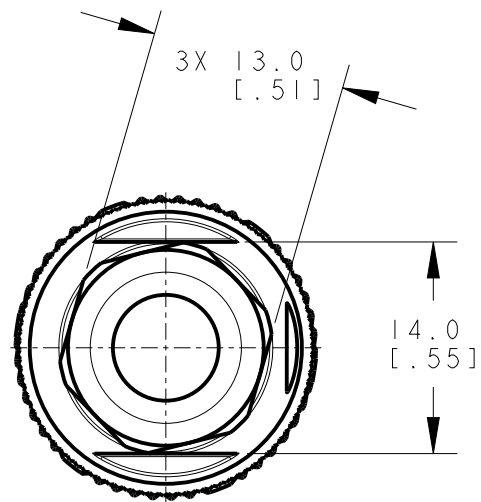
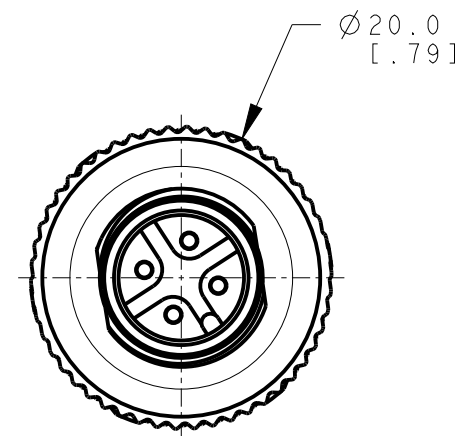
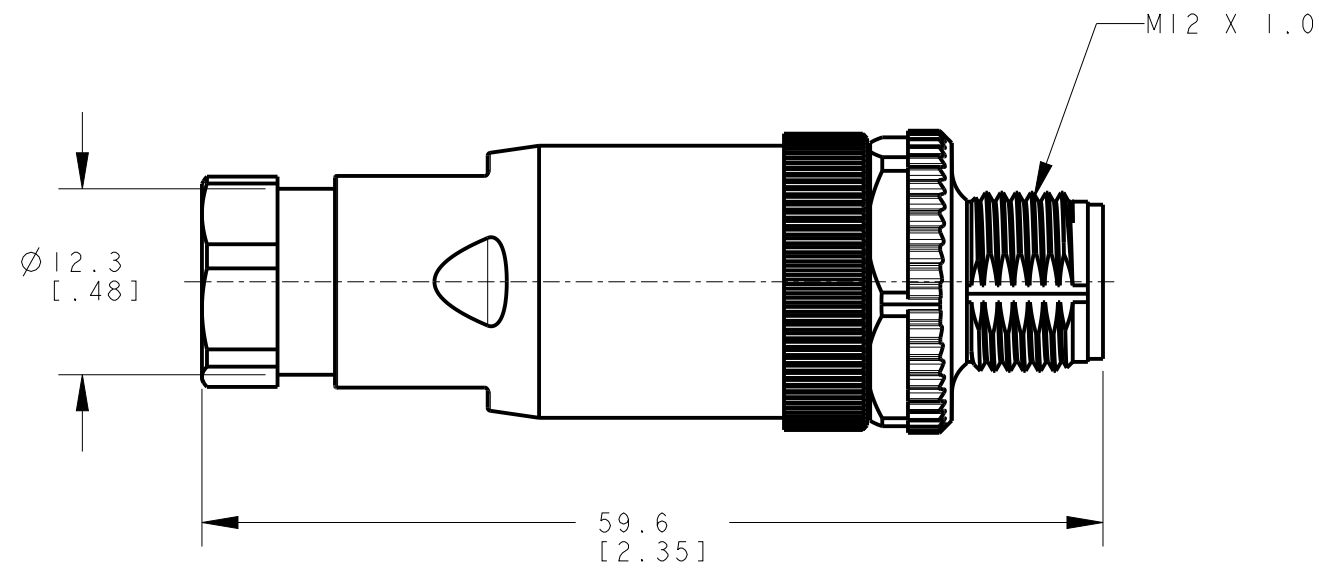
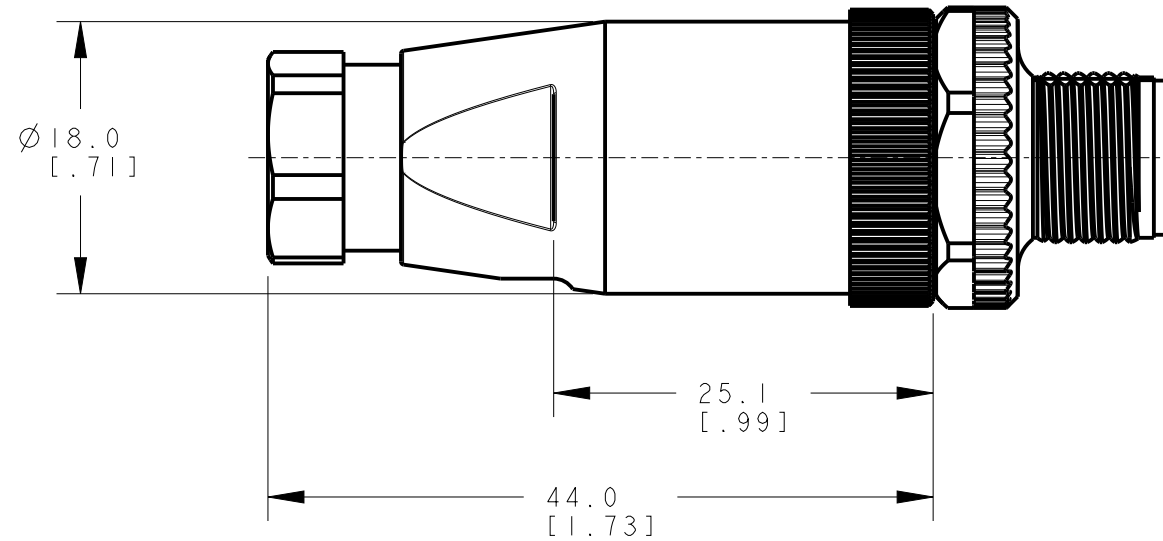
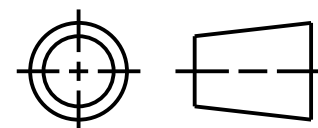


ISOMETRIC VIEW
SCALE 1:1



This drawing is the property of BANNER ENGINEERING CORP. Any use or reproduction, in any form, without prior written permission of Banner is prohibited. © 2015 Banner Engineering Corp.

THIRD ANGLE PROJECTION



| | | | |
|---|---------------|--|----|
| | | BANNER ENGINEERING CORP. www.bannerengineering.com | |
| TITLE | | | |
| M12 MALE 4 PIN ST FIELD WIREABLE PG7 | | | |
| SIZE | DRAWING NO. | REV. | |
| B | 234948 | A | |
| SCALE | SHEET | | OF |
| 2:1 | 1 | | 1 |

NOTES:
 1. ALL DIMENSIONS ARE MILLIMETERS [INCHES] UNLESS OTHERWISE NOTED.
 2. REFER TO "www.bannerengineering.com" FOR ADDITIONAL DATA AND SPECIFICATIONS.