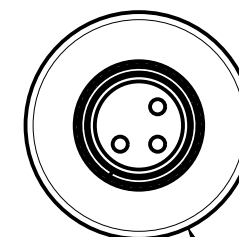
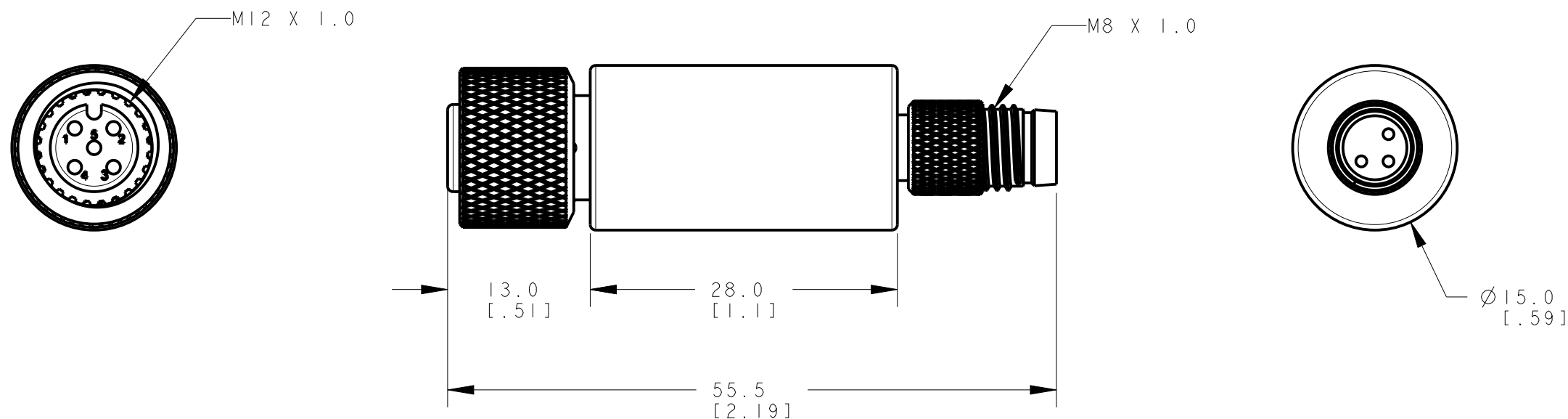


ISOMETRIC VIEW
SCALE 1:1



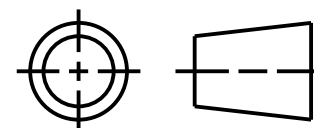
Ø15.0
[.59]

This drawing is the property of BANNER ENGINEERING CORP. Any use or reproduction, in any form, without prior written permission of Banner is prohibited. © 2015 Banner Engineering Corp.



BANNER ENGINEERING CORP.
www.bannerengineering.com

THIRD ANGLE PROJECTION



TITLE

S15A M8 MALE 3 PIN M12 FEMALE 4 PIN

SIZE
B

DRAWING NO. **233802**

REV. **A**

SCALE 2:1

SHEET 1 OF 1

CREO

NOTES:
1. ALL DIMENSIONS ARE MILLIMETERS [INCHES] UNLESS OTHERWISE NOTED.
2. REFER TO "www.bannerengineering.com" FOR ADDITIONAL DATA AND SPECIFICATIONS.