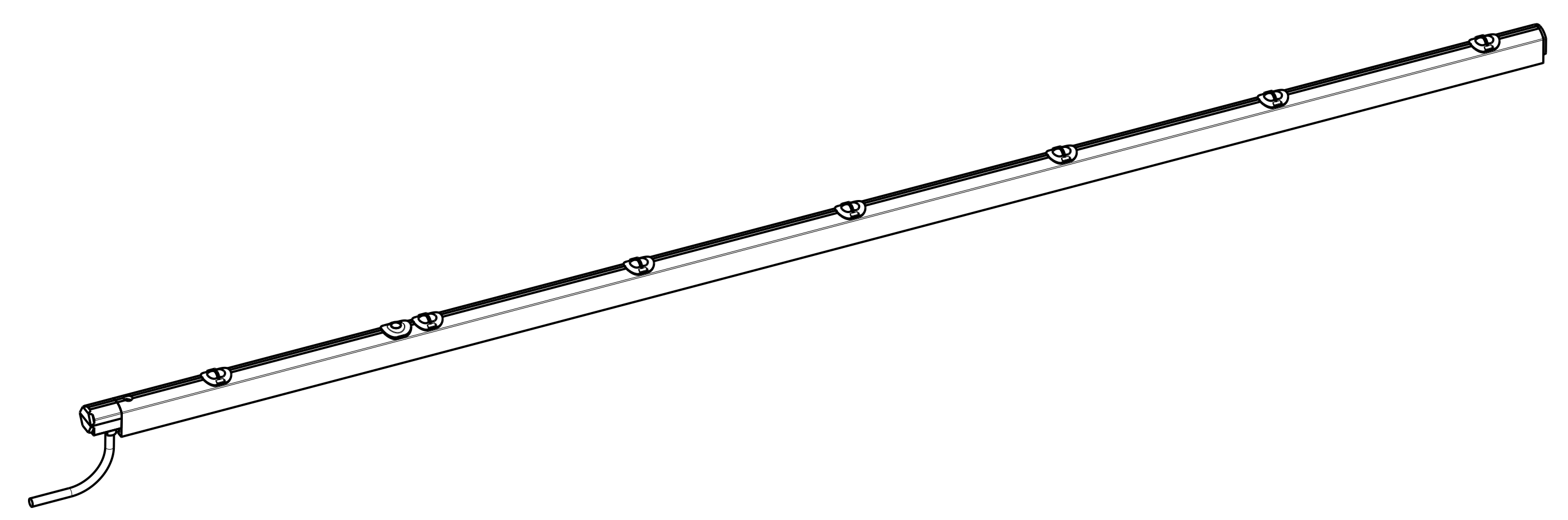


DETAIL A
SCALE 4:1



ISOMETRIC VIEW
SCALE 1:2

NOTES:
1. ALL DIMENSIONS ARE MILLIMETERS [INCHES] UNLESS OTHERWISE NOTED.
2. REFER TO "www.bannerengineering.com" FOR ADDITIONAL DATA AND SPECIFICATIONS.

<small>This drawing is the property of BANNER ENGINEERING CORP. Any use or reproduction in any form, without prior written permission of Banner is prohibited. © 2015 Banner Engineering Corp.</small>		BANNER BANNER ENGINEERING CORP. www.bannerengineering.com	
TITLE TTR750XXSC7T-XX-065		SIZE D	DRAWING NO. 233520
THIRD ANGLE PROJECTION		SCALE 1:1	REV. A
		SHEET 1 OF 1	CREO