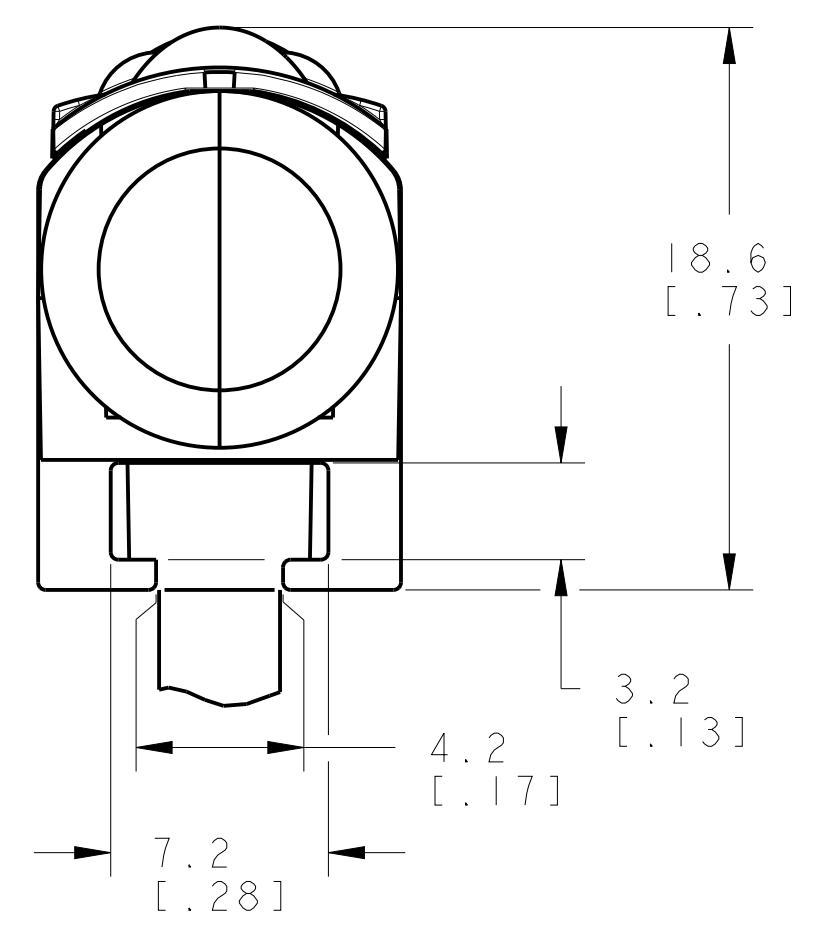
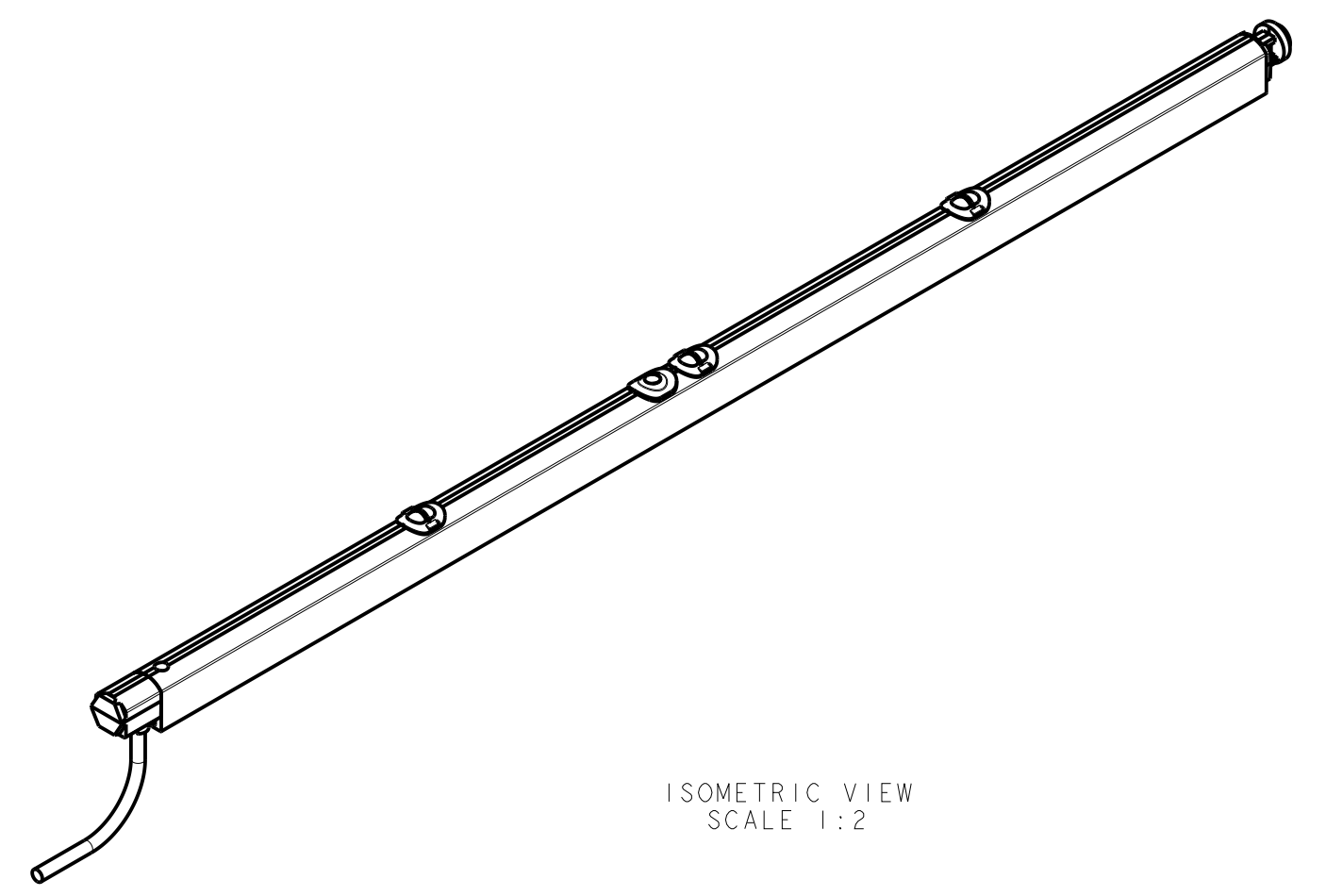


SEE DETAIL A



DETAIL A
SCALE 4:1



ISOMETRIC VIEW
SCALE 1:2

NOTES:
1. ALL DIMENSIONS ARE MILLIMETERS [INCHES] UNLESS OTHERWISE NOTED.
2. REFER TO "www.bannerengineering.com" FOR ADDITIONAL DATA AND SPECIFICATIONS.

<small>This drawing is the property of BANNER ENGINEERING CORP. Any use or reproduction in any form, without prior written permission of Banner is prohibited. © 2015 Banner Engineering Corp.</small>		BANNER BANNER ENGINEERING CORP. www.bannerengineering.com	
TITLE TTR462XXSC3D-XX			
SIZE D	DRAWING NO 232819	REV. A	
SCALE 1:1	SHEET 1 OF 1		CREO