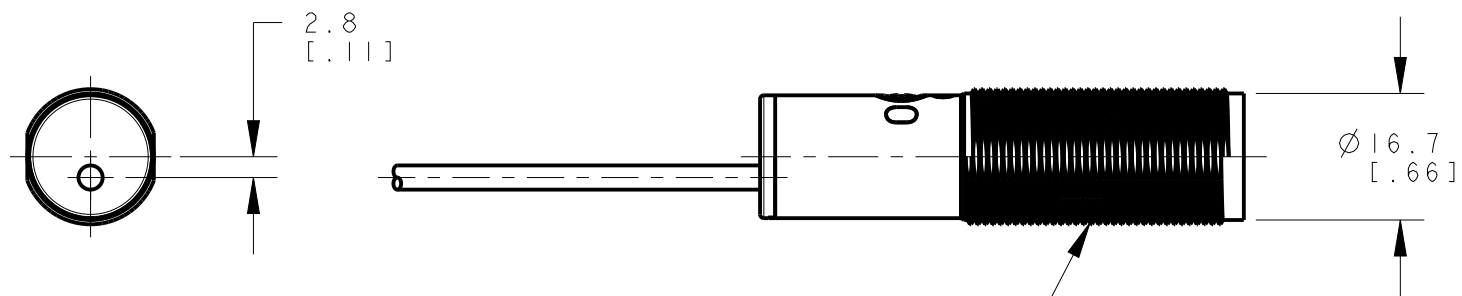
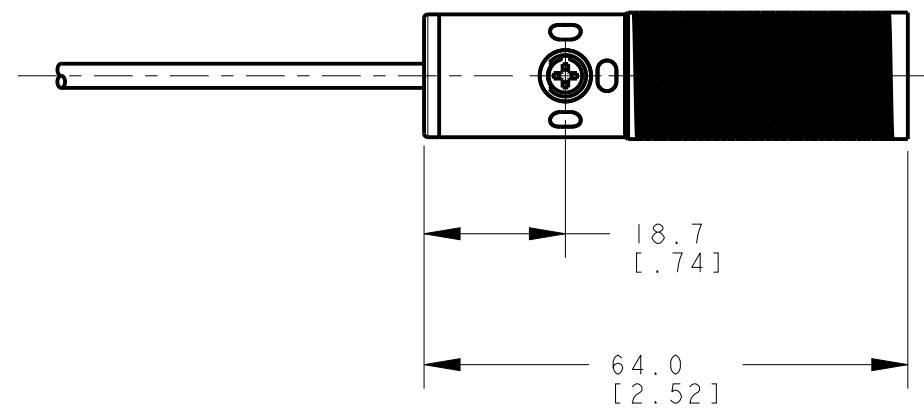


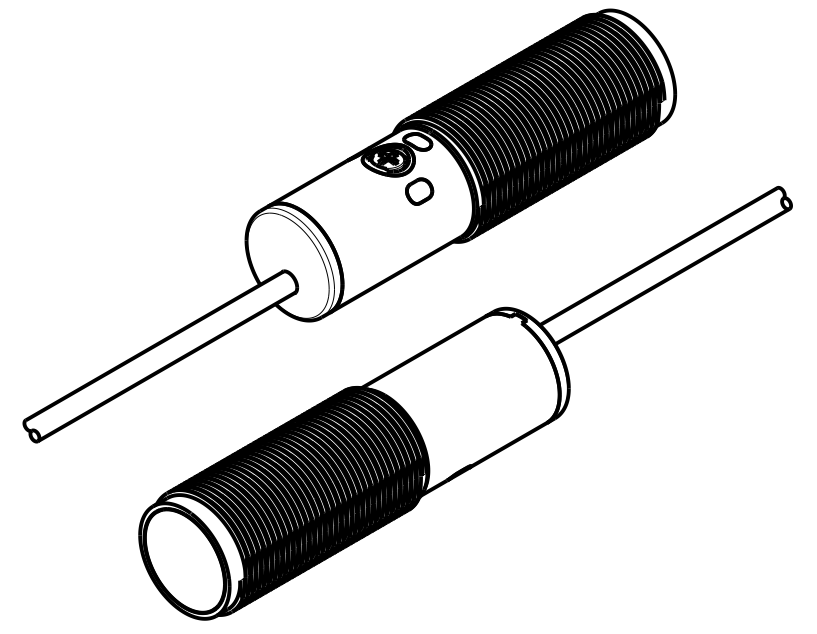
8 | 7 | 6 | 5 | 4 | 3 | 2 | 1

D  
C  
B  
A

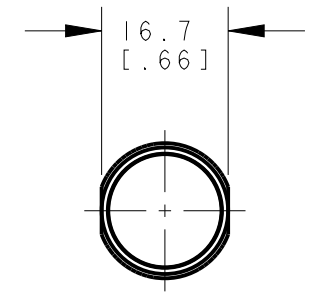
D  
C  
B  
A



M18 X 1-6g  
MAX TORQUE 2.3 Nm (20 IN-LBS)



ISOMETRIC VIEWS



This drawing is the property of BANNER ENGINEERING CORP. Any use or reproduction, in any form, without prior written permission of Banner is prohibited. © 2015 Banner Engineering Corp.

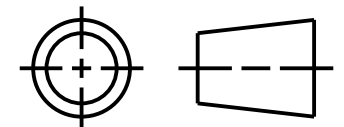
**BANNER** BANNER ENGINEERING CORP.  
www.bannerengineering.com

TITLE  
**S18-2 SPECIAL PRODUCTS**

SIZE B DRAWING NO. **232143** REV. **A**

SCALE 1:1 SHEET 1 OF 1 CREO

THIRD ANGLE PROJECTION



NOTES:  
1. ALL DIMENSIONS ARE MILLIMETERS [INCHES] UNLESS OTHERWISE NOTED.  
2. REFER TO "www.bannerengineering.com" FOR ADDITIONAL DATA AND SPECIFICATIONS.

8 | 7 | 6 | 5 | 4 | 3 | 2 | 1