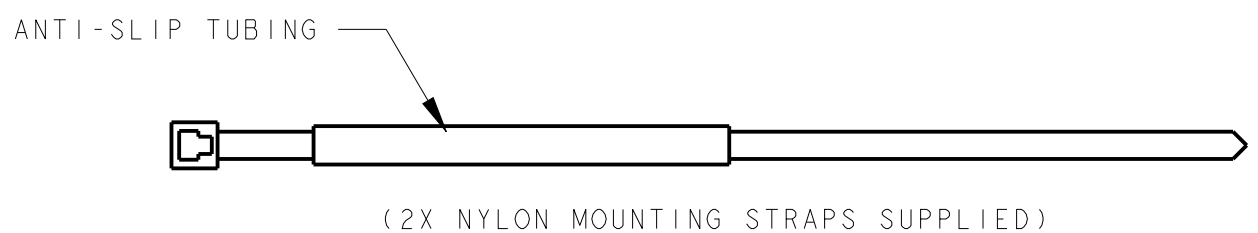
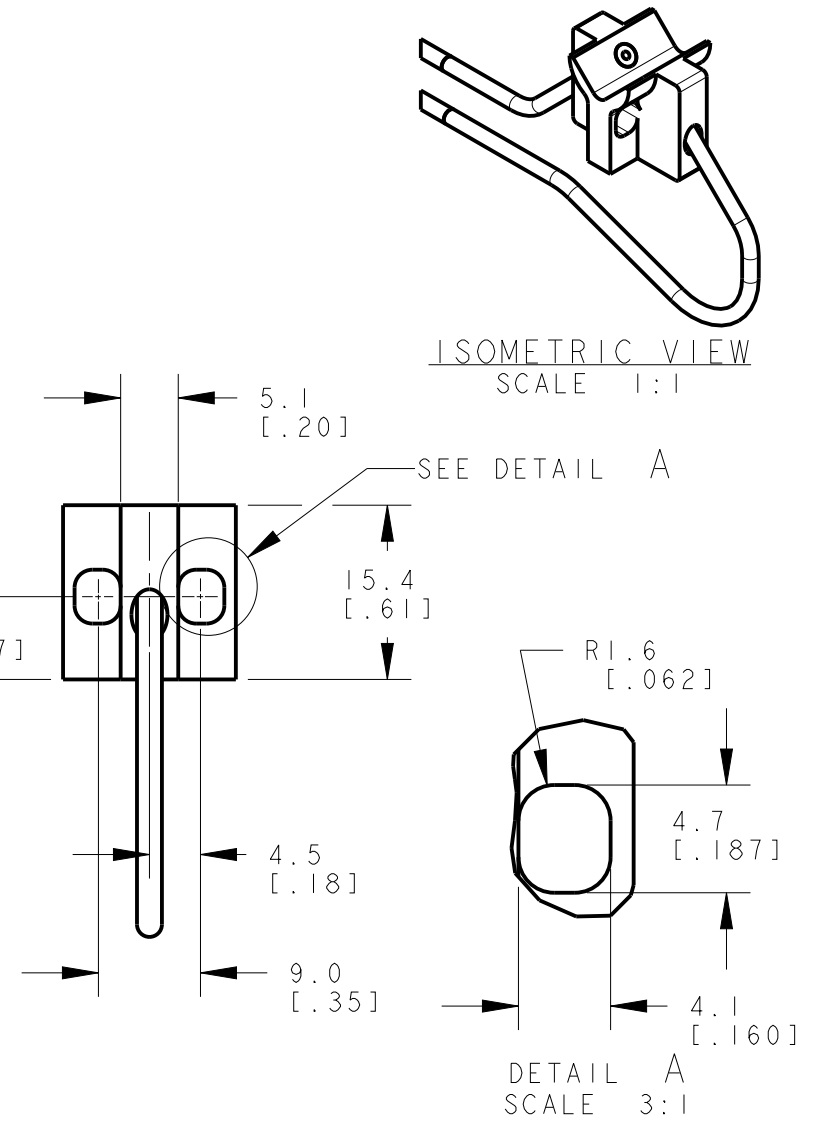
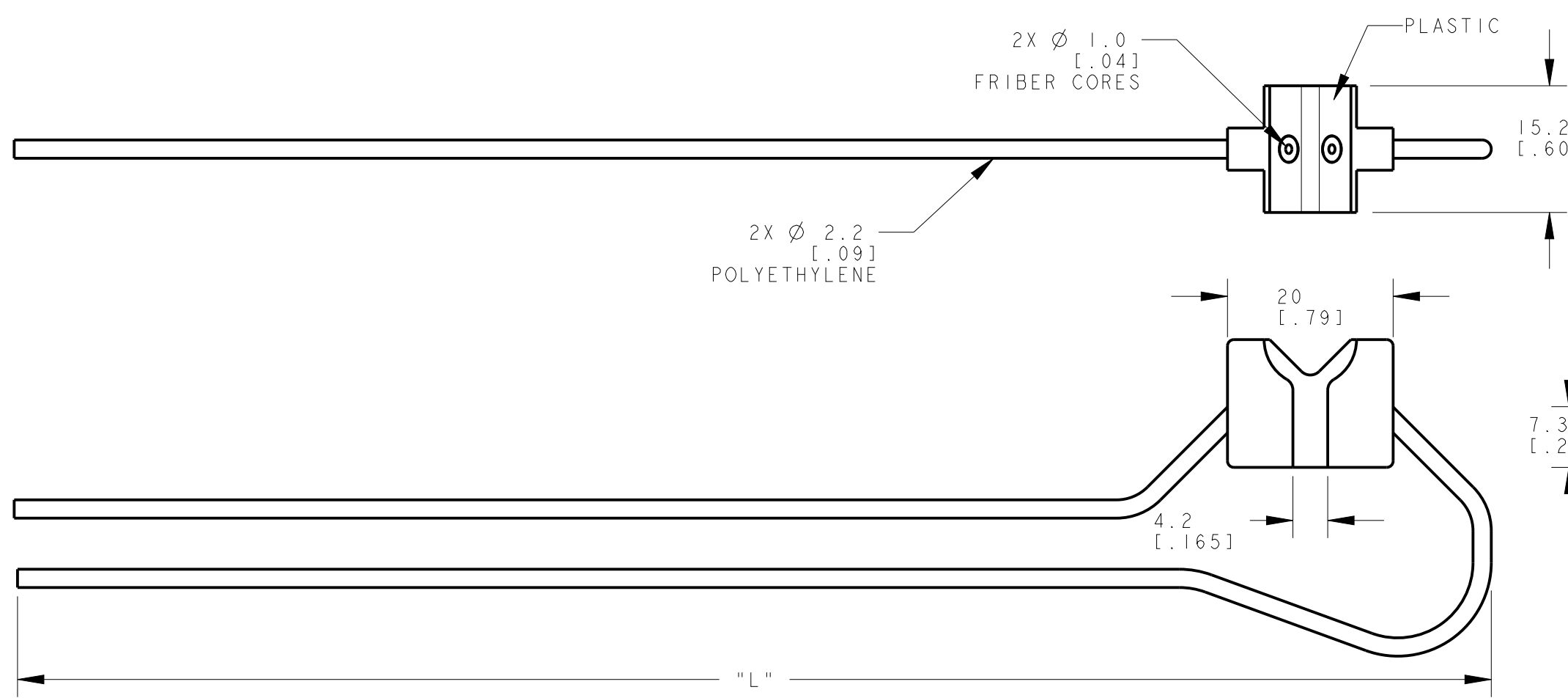


8	7	6	5	4	3	2	1
MODEL NO.	"L"	P/N					
PDI46U-LLD-2	2000 [79]	811804					

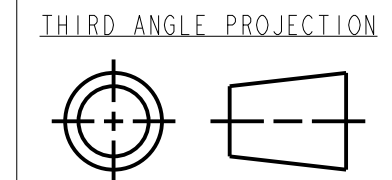
NOTE: THIS LIQUID LEVEL DETECTION FIBER OPTIC ASSEMBLY CAN BE USED WITH THE FOLLOWING SIZE TRANSPARENT TUBES:
 Ø2mm TO Ø25mm



NOTES:
 1. ALL DIMENSIONS ARE MILLIMETERS [INCHES] UNLESS OTHERWISE NOTED.
 2. REFER TO "www.bannerengineering.com" FOR ADDITIONAL DATA AND SPECIFICATIONS.

This drawing is the property of BANNER ENGINEERING CORP. Any use or reproduction, in any form, without prior written permission of Banner is prohibited. © 2015 Banner Engineering Corp.

BANNER BANNER ENGINEERING CORP.
 www.bannerengineering.com



TITLE		
PD14 SERIES LIQUID LEVEL DETECTION UNTERMINATED NON-HF FIBER		
SIZE	DRAWING NO.	REV.
B	224295	A
SCALE	SHEET	
3:2	1 OF 1	

CREO