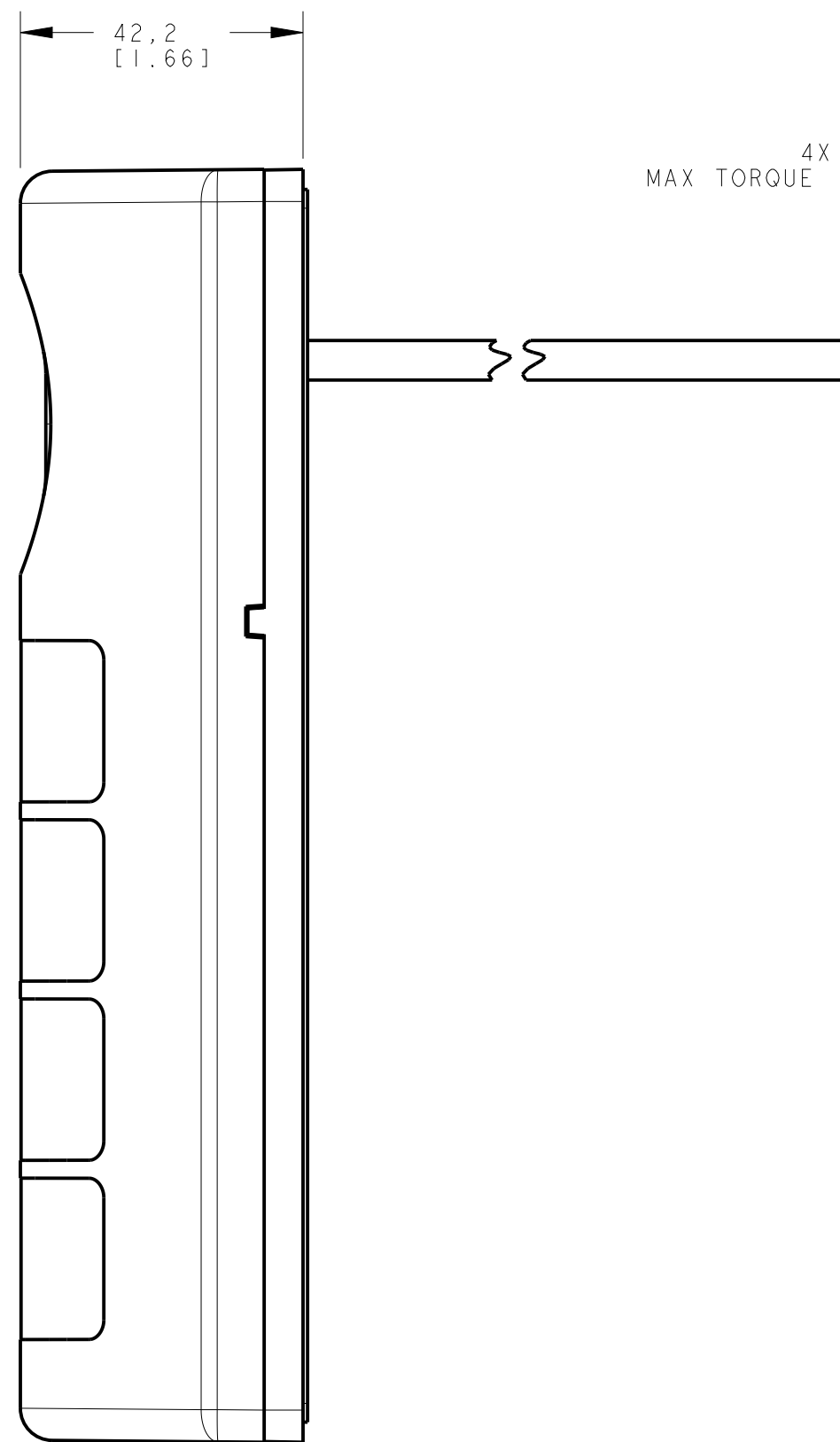
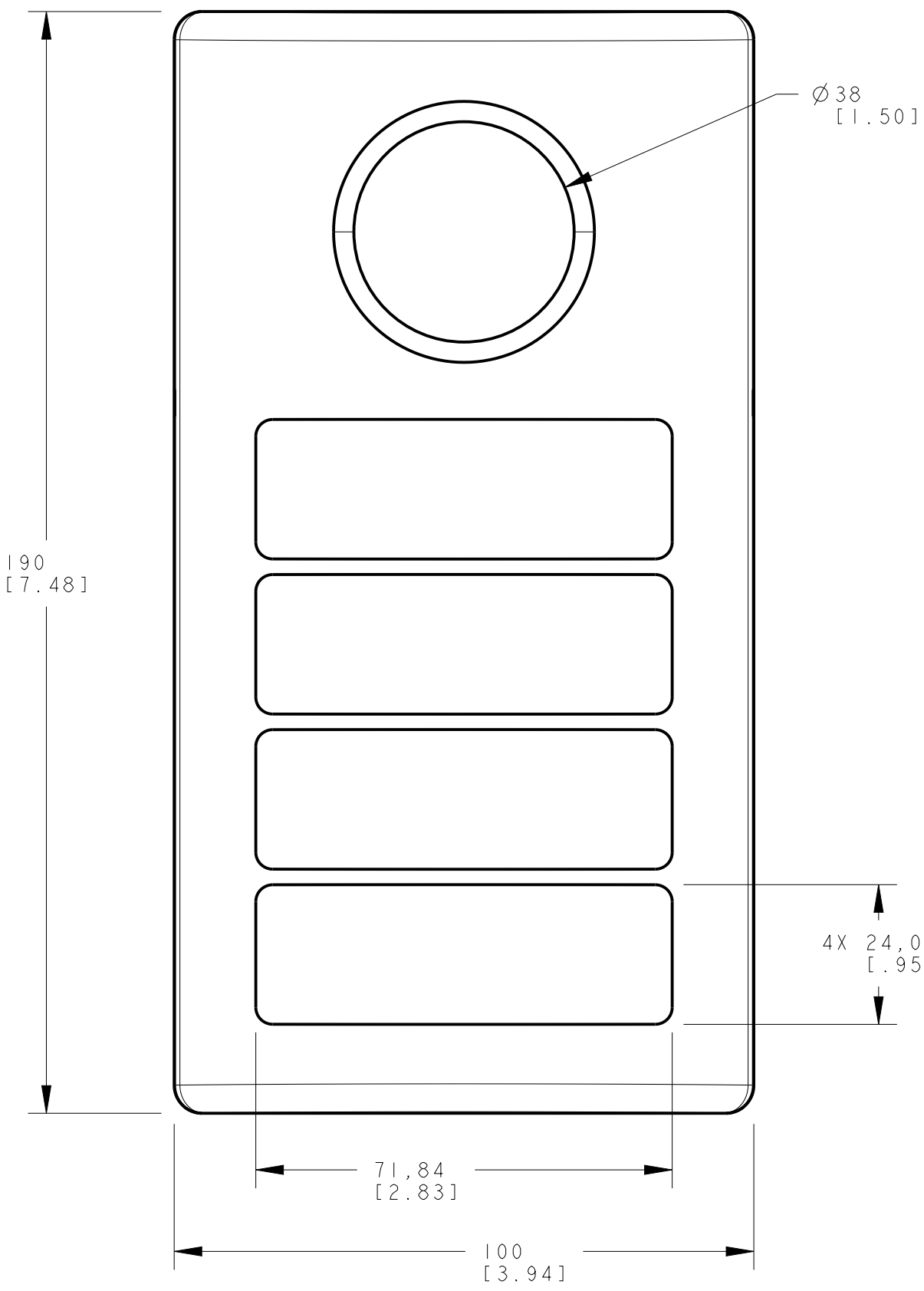
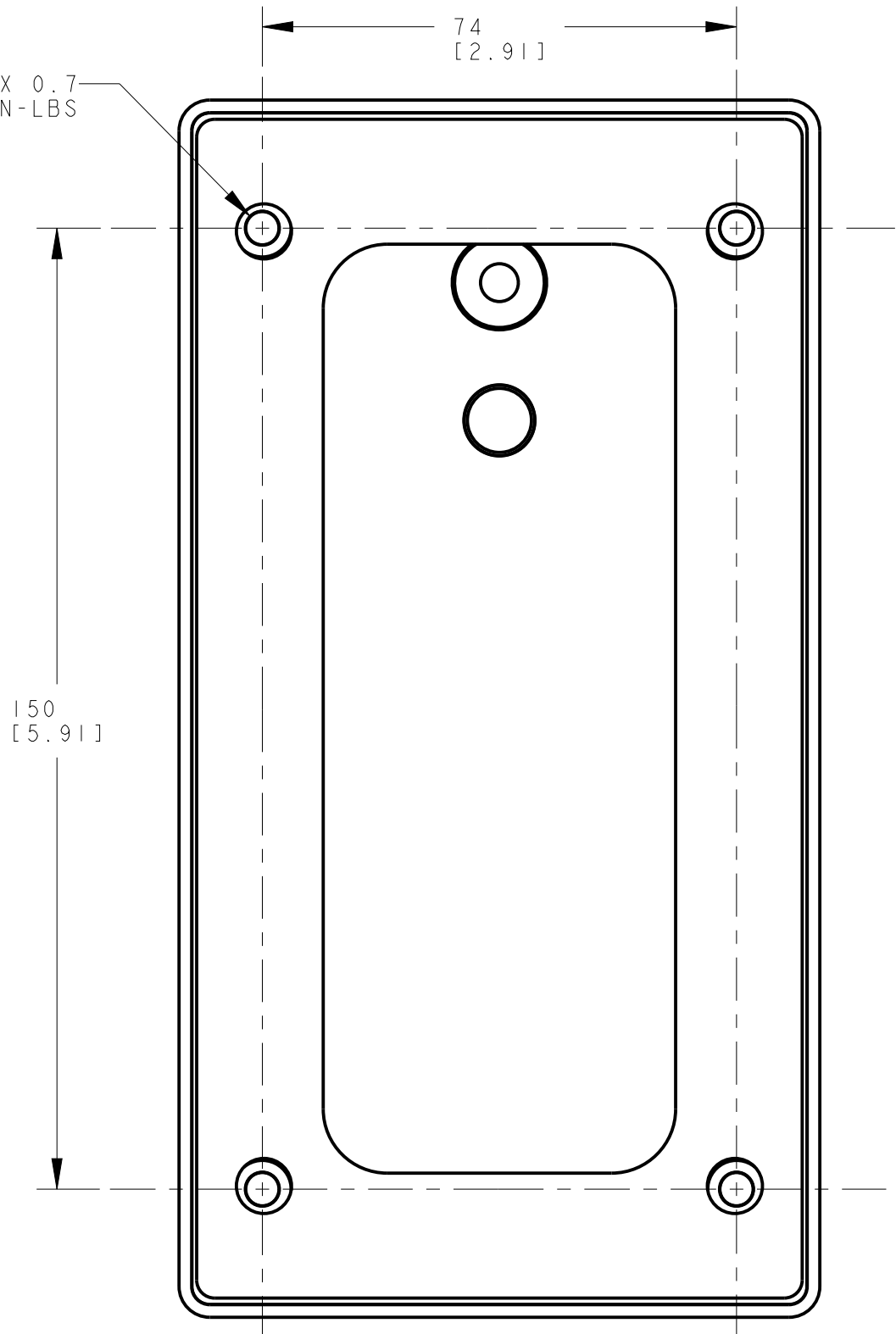


ISOMETRIC VIEW
SCALE 1:2



4X M4 X 0.7
MAX TORQUE 10 IN-LBS



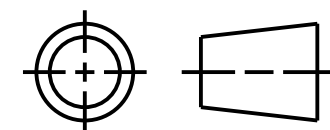
NOTES:
1. ALL DIMENSIONS ARE MILLIMETERS [INCHES] UNLESS OTHERWISE NOTED.
2. REFER TO "www.bannerengineering.com" FOR ADDITIONAL DATA AND SPECIFICATIONS.

This drawing is the property of BANNER ENGINEERING CORP. Any use or reproduction, in any form, without prior written permission of Banner is prohibited. © 2015 Banner Engineering Corp.

BANNER BANNER ENGINEERING CORP.
www.bannerengineering.com

TITLE
TLF100P 4 SEGMENT

THIRD ANGLE PROJECTION



SIZE C DRAWING NO. **222166** REV. **A**

SCALE 1:1 SHEET 1 OF 1 CREO