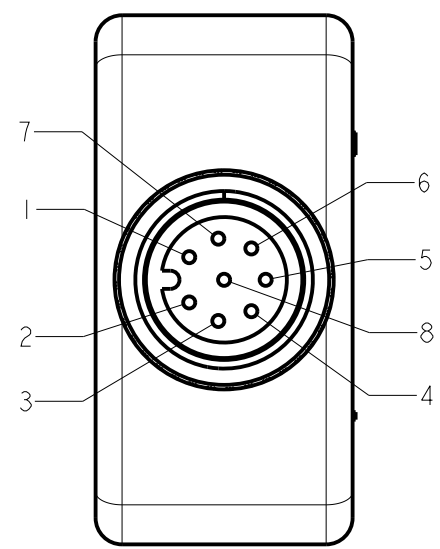
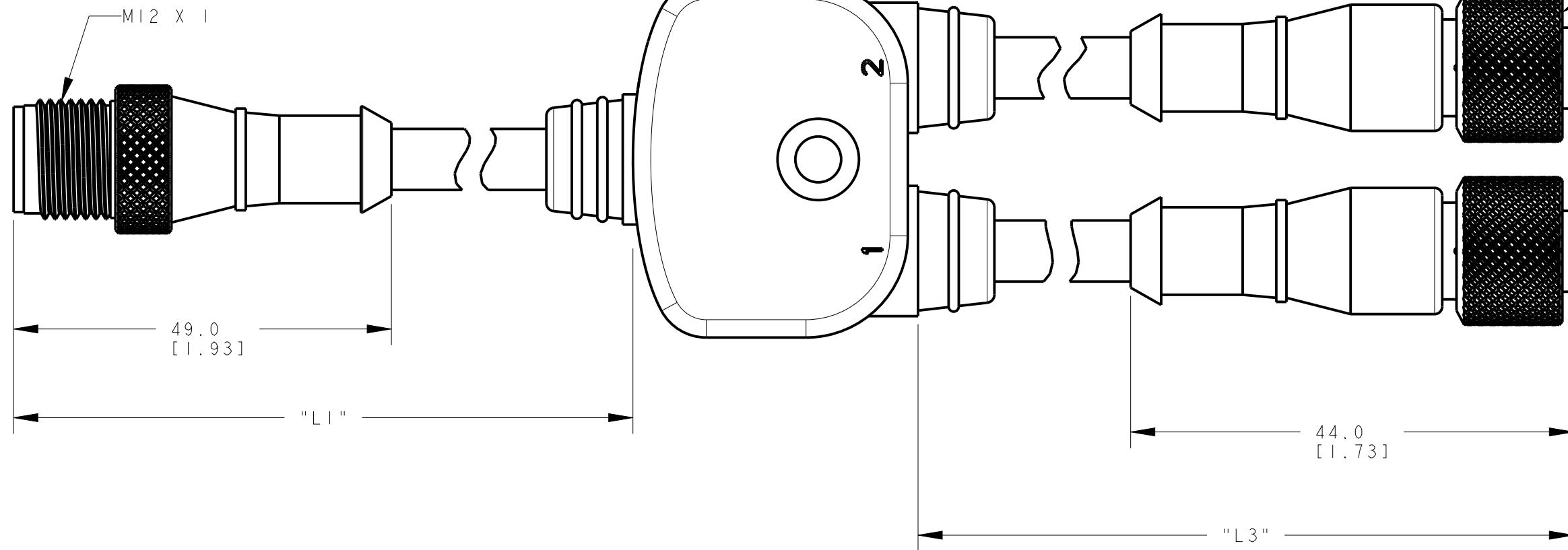


TABLE OF LENGTHS				
P/N	MODEL NO.	"L1"(m[ft])	"L2"(m[ft])	"L3"(m[ft])
31701	CSB-MI28IMI281B	0.3[1.0]	0.3[1.0]	0.3[1.0]



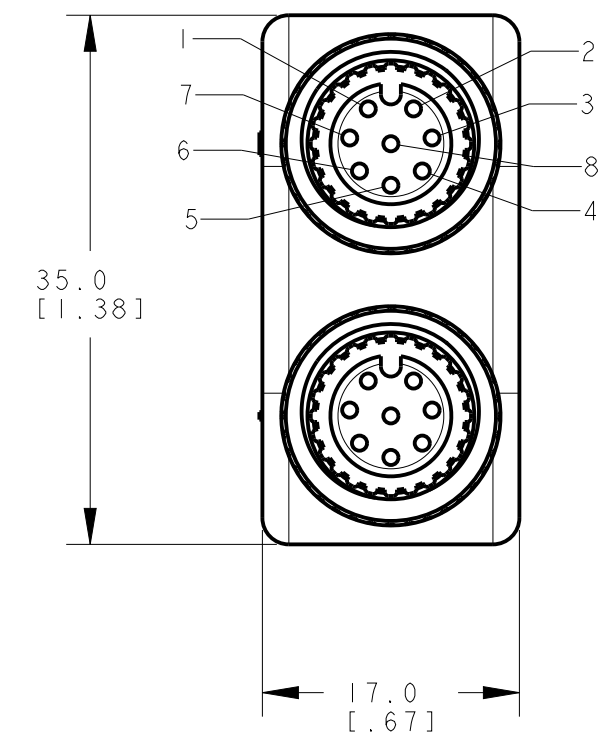
MALE CONNECTOR TRUNK

- 1. BROWN
- 2. ORANGE/BLACK
- 3. ORANGE
- 4. WHITE
- 5. BLACK
- 6. BLUE
- 7. GREEN/YELLOW
- 8. VIOLET

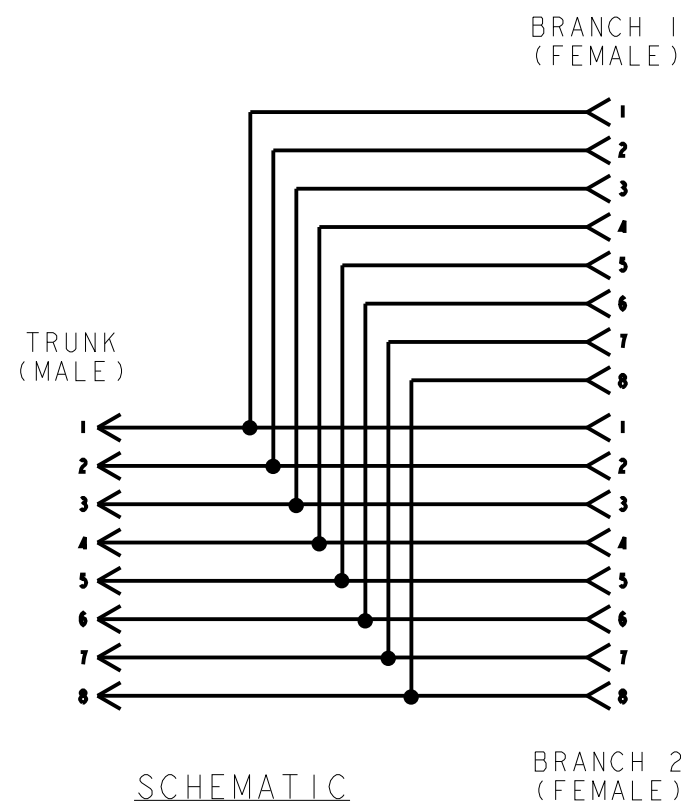


FEMALE CONNECTORS
BRANCH 1

- 1. BROWN
- 2. ORANGE/BLACK
- 3. ORANGE
- 4. WHITE
- 5. BLACK
- 6. BLUE
- 7. GREEN/YELLOW
- 8. VIOLET



BRANCH 2



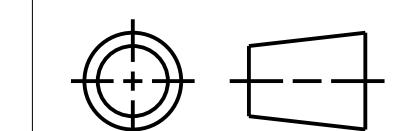
NOTES:
1. ALL DIMENSIONS ARE MILLIMETERS [INCHES] UNLESS OTHERWISE NOTED.
2. REFER TO "www.bannerengineering.com" FOR ADDITIONAL DATA AND SPECIFICATIONS.

This drawing is the property of BANNER ENGINEERING CORP. Any use or reproduction, in any form, without prior written permission of Banner is prohibited.
© 2015 Banner Engineering Corp.



TITLE
CSB-MI28XMI28XB

THIRD ANGLE PROJECTION



SIZE C	DRAWING NO. 218966	REV. A
SCALE 2:1		SHEET 1 OF 1