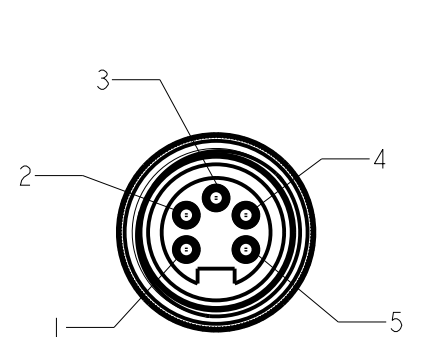


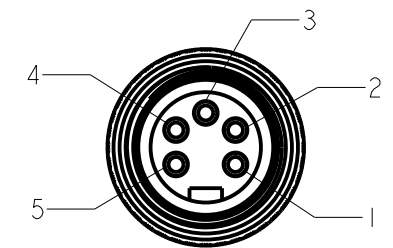
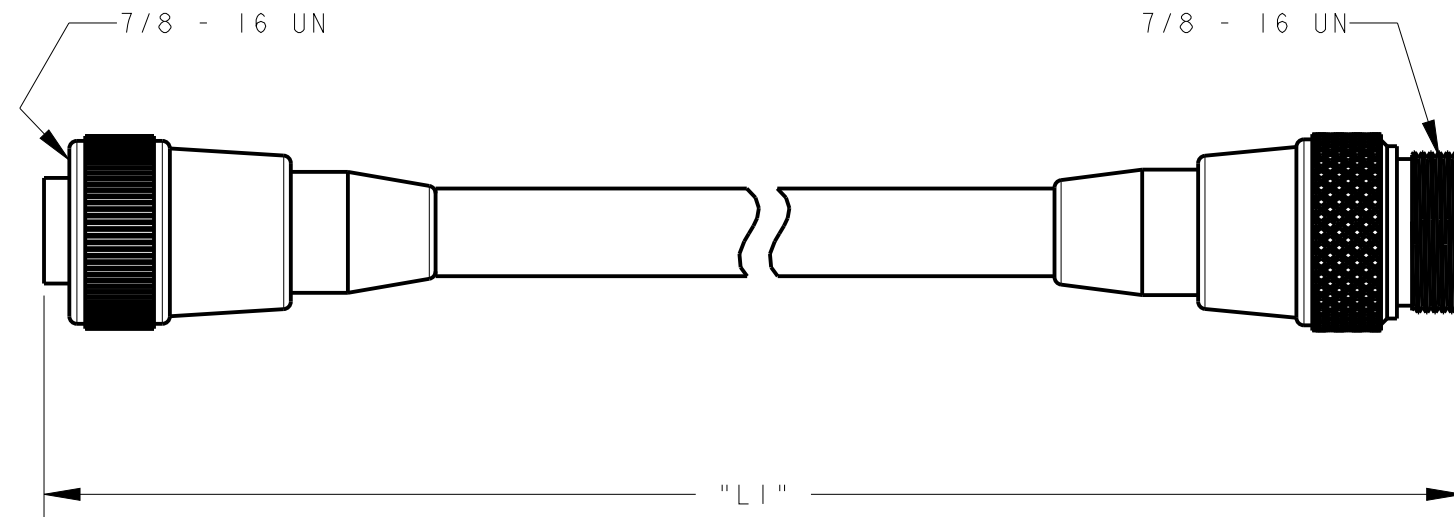
8 | 7 | 6 | 5 | 4 | 3 | 2 | 1

TABLE OF LENGTHS		
P/N	MODEL NO.	"L1" (m[FT])
808528	MBCCL-503SS	1 [3.28]
808529	MBCCL-506SS	2 [6.56]
808530	MBCCL-512SS	4 [13.12]
808531	MBCCL-520SS	6 [19.69]



FEMALE POLES

- 1. PURPLE
- 2. WHITE
- 3. YELLOW/GREEN
- 4. BLACK
- 5. GRAY



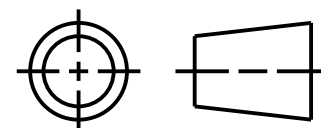
MALE POLES

- 1. PURPLE
- 2. WHITE
- 3. YELLOW/GREEN
- 4. BLACK
- 5. GRAY

NOTES:
 1. ALL DIMENSIONS ARE MILLIMETERS [INCHES] UNLESS OTHERWISE NOTED.
 2. REFER TO "www.bannerengineering.com" FOR ADDITIONAL DATA AND SPECIFICATIONS.

This drawing is the property of BANNER ENGINEERING CORP. Any use or reproduction, in any form, without prior written permission of Banner is prohibited.
 © 2015 Banner Engineering Corp.

THIRD ANGLE PROJECTION



		BANNER ENGINEERING CORP.	
		www.bannerengineering.com	
TITLE			
MBCCL - 5XXSS			
SIZE B	DRAWING NO. 218957	REV. A	
SCALE 1:1		SHEET 1 OF 1	

8 | 7 | 6 | 5 | 4 | 3 | 2 | 1 | CREO