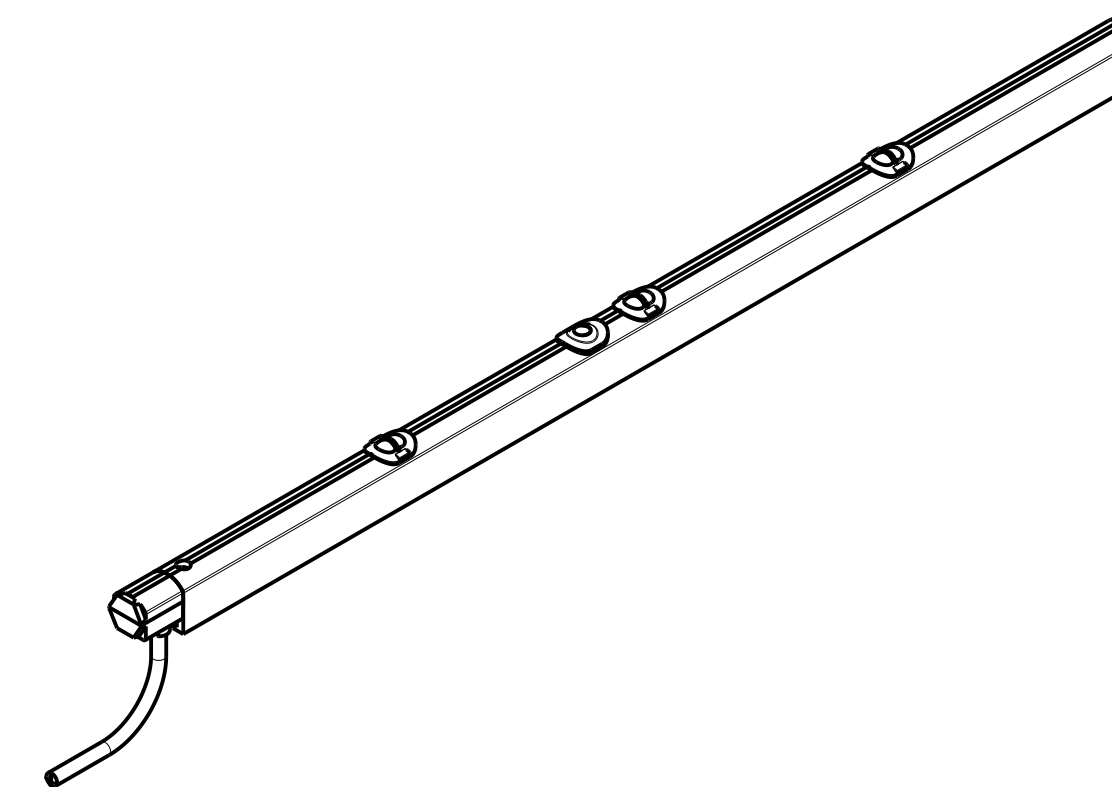


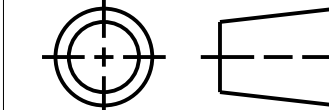
DETAIL A  
SCALE 4:1



ISOMETRIC VIEW  
SCALE 1:2

NOTES:  
1. ALL DIMENSIONS ARE MILLIMETERS [INCHES] UNLESS OTHERWISE NOTED.  
2. REFER TO "www.bannerengineering.com" FOR ADDITIONAL DATA AND SPECIFICATIONS.

<small>This drawing is the property of BANNER ENGINEERING CORP. Any use or reproduction, in any form, without prior written permission of Banner is prohibited. © 2015 Banner Engineering Corp.</small>		<b>BANNER</b> BANNER ENGINEERING CORP. www.bannerengineering.com	
TITLE <b>TTR381XXSB3T-XX</b>			
SIZE D	DRAWING NO. <b>218403</b>	REV. <b>A</b>	
SCALE 2:1		SHEET 1 OF 1	



CREO