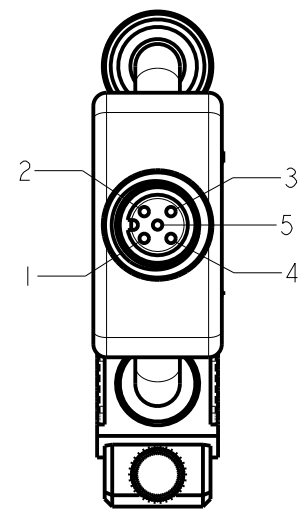
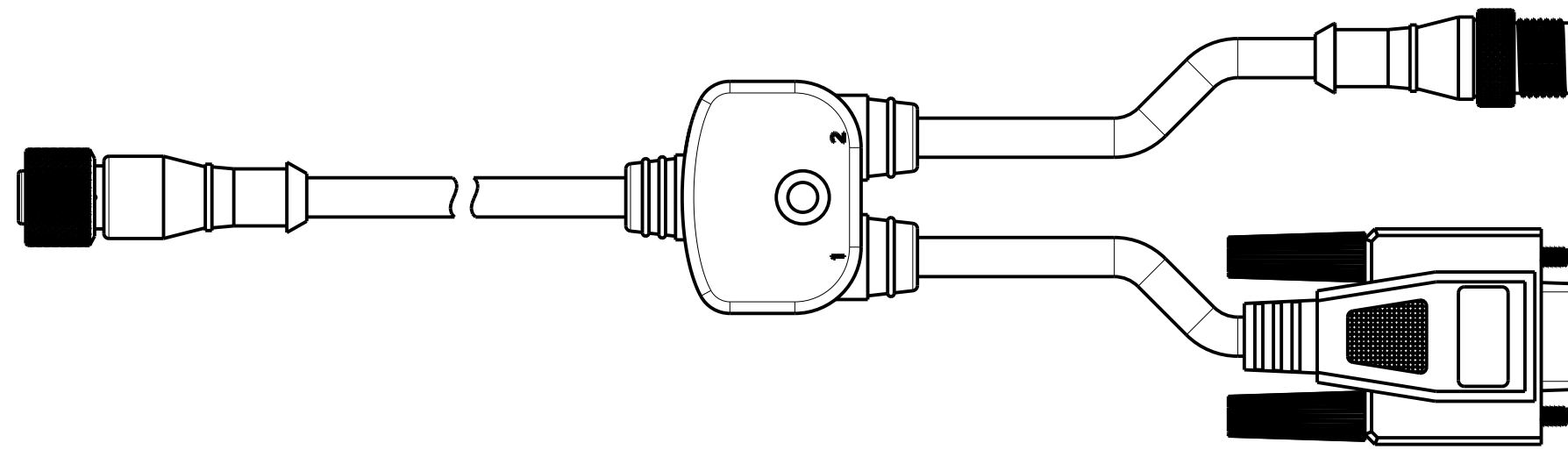


TABLE OF LENGTHS			
P/N	MODEL NO.	L1(m[ft])	L2(m[ft])
809846	CSB-MI25IFMI25IDB9	0.30[0.98]	0.30[0.98]



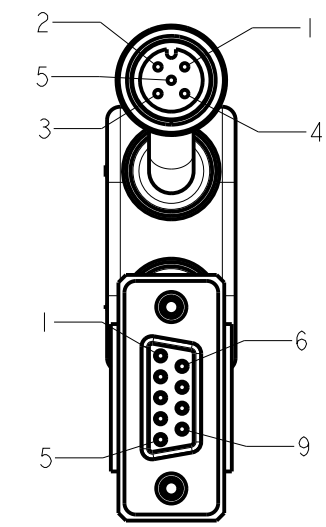
FEMALE POLES  
TRUNK

1. BROWN
2. WHITE
3. BLUE
4. BLACK
5. GRAY



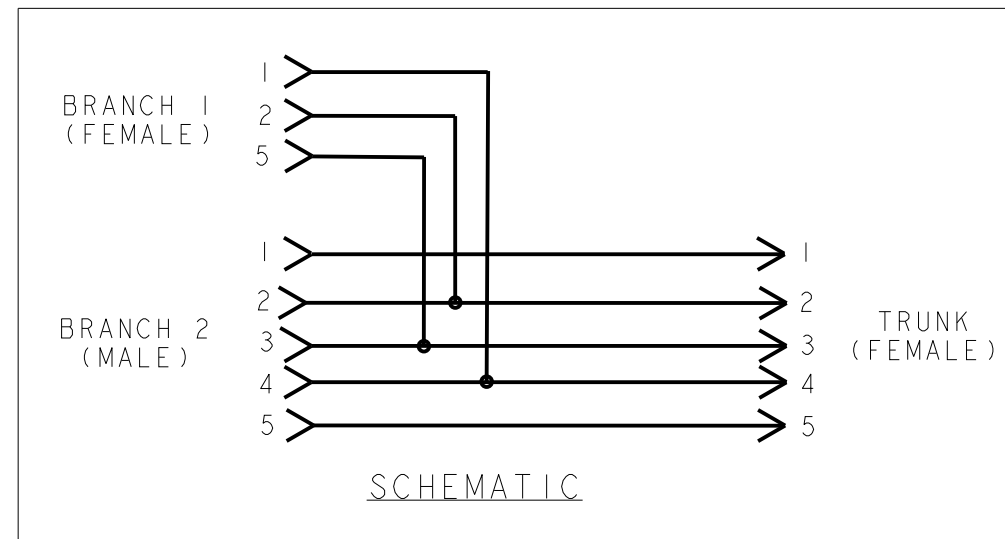
MALE POLES  
BRANCH 2

1. BROWN
2. WHITE
3. BLUE
4. BLACK
5. GRAY



FEMALE POLES  
BRANCH 1

1. BLACK
2. WHITE
3. N/A
4. N/A
5. BLUE
6. N/A
7. N/A
8. N/A
9. N/A



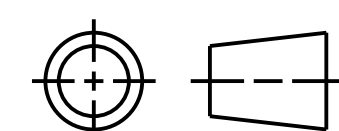
NOTES:  
1. ALL DIMENSIONS ARE MILLIMETERS [INCHES] UNLESS OTHERWISE NOTED.  
2. REFER TO "www.bannerengineering.com" FOR ADDITIONAL DATA AND SPECIFICATIONS.

This drawing is the property of BANNER ENGINEERING CORP. Any use or reproduction, in any form, without prior written permission of Banner is prohibited.  
© 2015 Banner Engineering Corp.



TITLE  
**CSB-MI25XFM125XDB9**

THIRD ANGLE PROJECTION



SIZE C	DRAWING NO. <b>218126</b>	REV. <b>A</b>
SCALE 1:1	SHEET 1 OF 1	