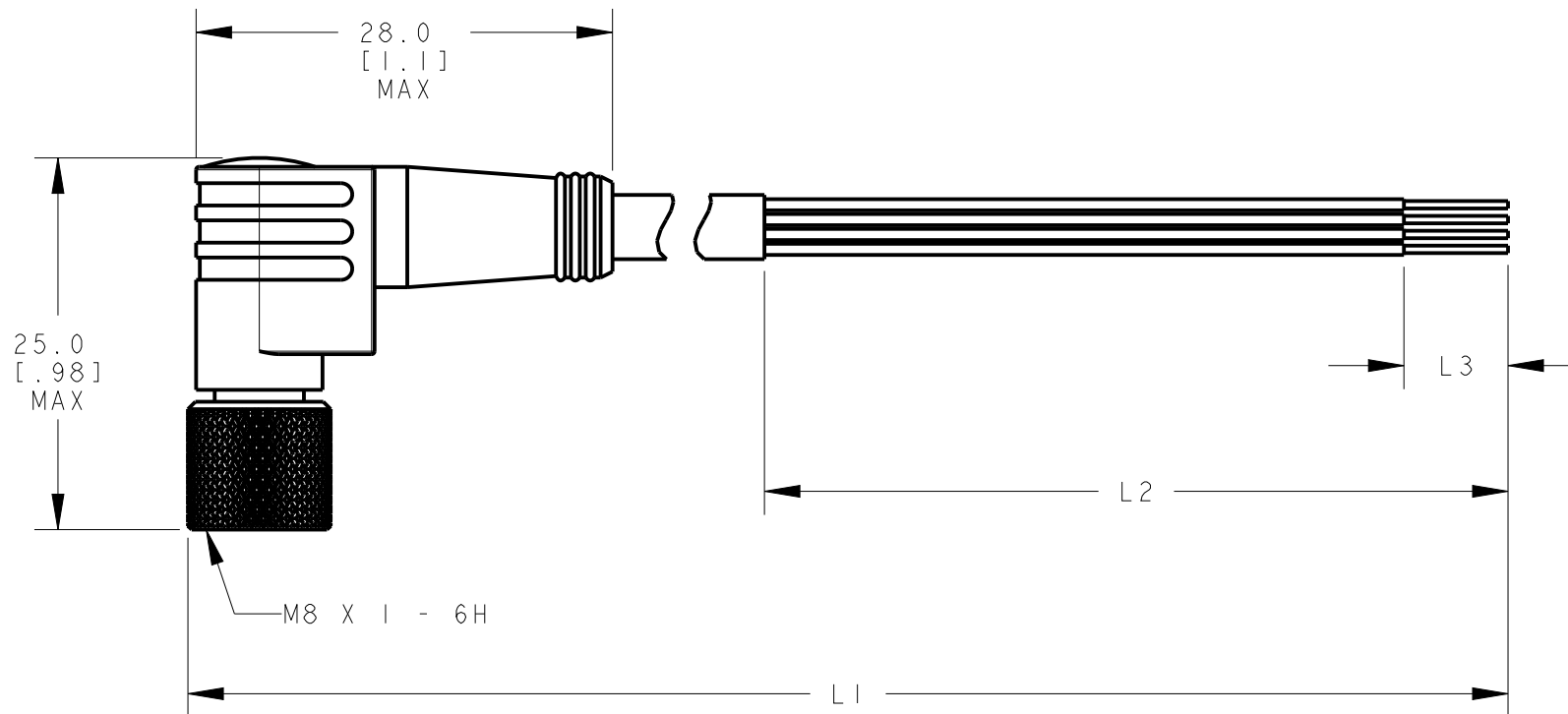
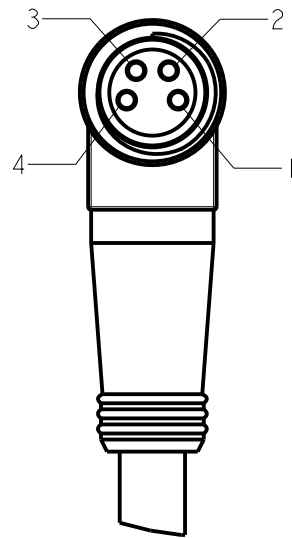


TABLE OF LENGTHS				
P/N	MODEL NO.	L1	L2	L3
809653	PKW4MS-2	2035[80.11]	50[1.97]	7[0.28]
809654	PKW4MS-5	5000[196.85]	50[1.97]	7[0.28]
809655	PKW4MS-9	9035[355.71]	50[1.97]	7[0.28]

FEMALE POLES

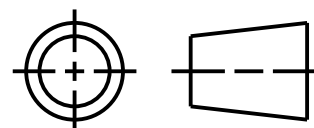
- 1. BROWN
- 2. WHITE
- 3. BLUE
- 4. BLACK



NOTES:
 1. ALL DIMENSIONS ARE MILLIMETERS [INCHES] UNLESS OTHERWISE NOTED.
 2. REFER TO "www.bannerengineering.com" FOR ADDITIONAL DATA AND SPECIFICATIONS.

This drawing is the property of BANNER ENGINEERING CORP. Any use or reproduction, in any form, without prior written permission of Banner is prohibited. © 2015 Banner Engineering Corp.

THIRD ANGLE PROJECTION



		BANNER ENGINEERING CORP.	
		www.bannerengineering.com	
TITLE			
PKW4MS - X			
SIZE B	DRAWING NO. 217960	REV. A	
SCALE 2:1		SHEET 1 OF 1	