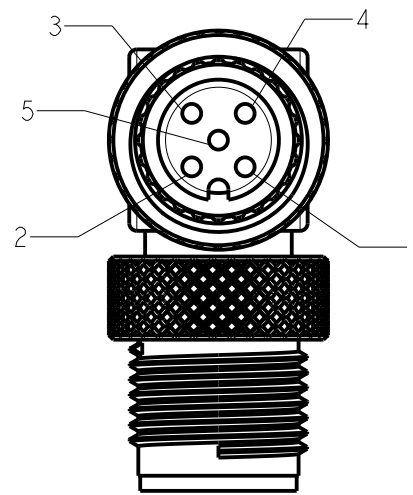
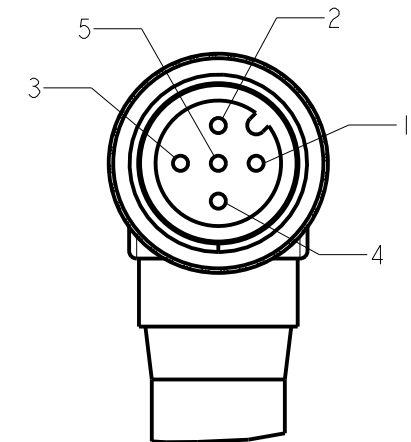
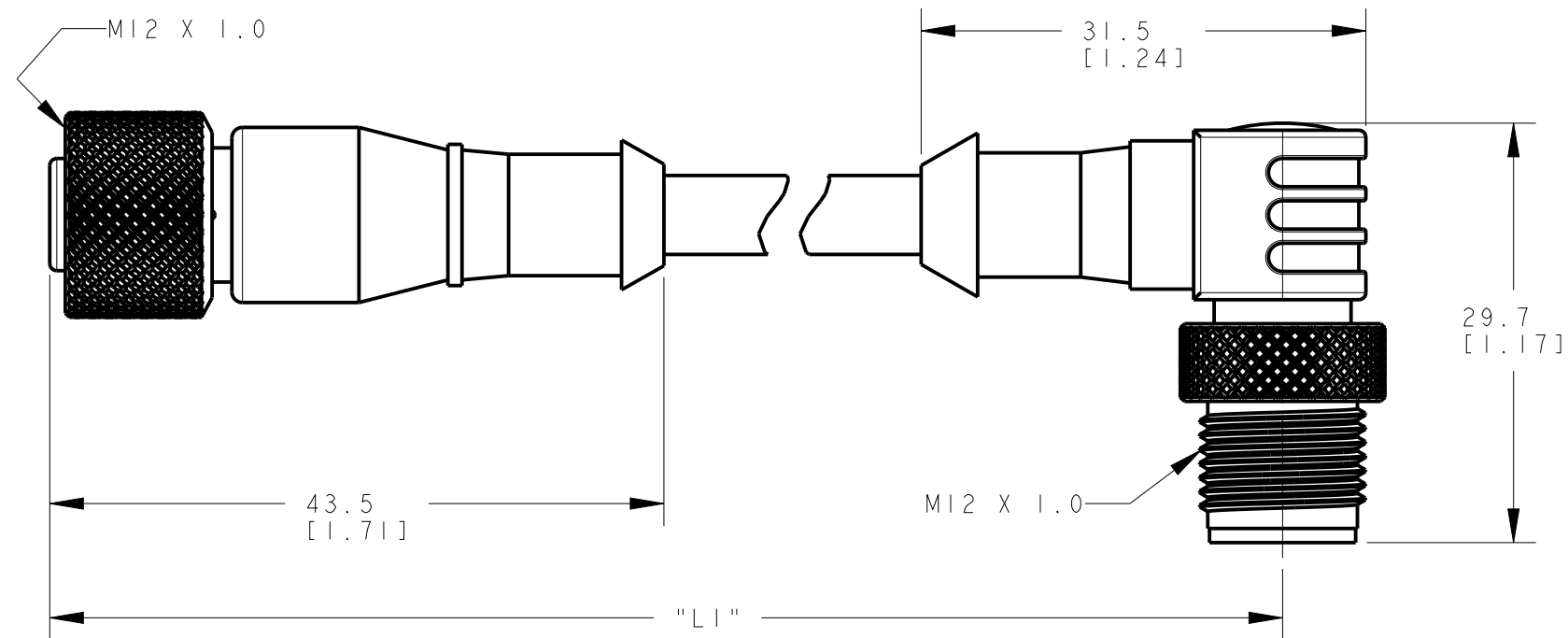


TABLE OF LENGTHS		
P/N	MODEL NO.	"L1" (m [ft])
809558	MQDEC-501RS	0.31 [1.02]
809557	MQDEC-503RS	0.91 [2.99]
809556	MQDEC-506RS	1.83 [6.00]
809555	MQDEC-512RS	3.66 [12.00]



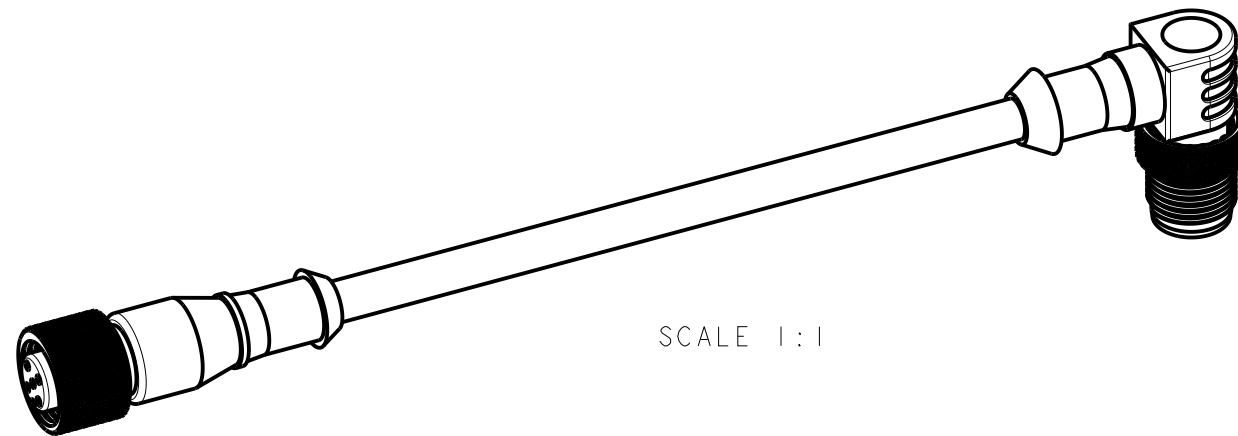
FEMALE POLES

- 1. BROWN
- 2. WHITE
- 3. BLUE
- 4. BLACK
- 5. GREY



MALE POLES

- 1. BROWN
- 2. WHITE
- 3. BLUE
- 4. BLACK
- 5. GREY

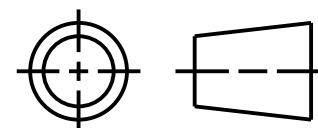


SCALE 1:1

NOTES:
 1. ALL DIMENSIONS ARE MILLIMETERS [INCHES] UNLESS OTHERWISE NOTED.
 2. REFER TO "www.bannerengineering.com" FOR ADDITIONAL DATA AND SPECIFICATIONS.

This drawing is the property of BANNER ENGINEERING CORP. Any use or reproduction, in any form, without prior written permission of Banner is prohibited. © 2015 Banner Engineering Corp.

THIRD ANGLE PROJECTION



		BANNER ENGINEERING CORP.	
		www.bannerengineering.com	
TITLE			
MODEC-5XXRS			
SIZE B	DRAWING NO. 216706	REV. A	
SCALE 2:1		SHEET 1 OF 1	